

This document is the property of Amphenol Corporation and is delivered on the express condition that it is not to be disclosed, reproduced or used, in whole or in part, for manufacture or sale by anyone other than Amphenol Corporation without its prior consent, & that no right is granted to disclose or to use any information in this document.

Customer Drawing

REVISIONS				
SYM	ECN	DESCRIPTION	DATE	APPROVED
1	HK--	First Release Drawing	04/16/15	IP

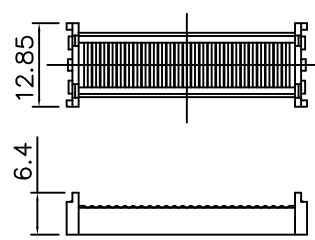
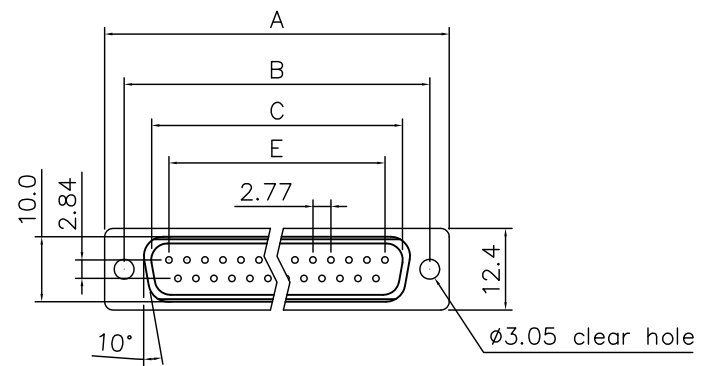
D-SUB TECHNICAL DATA

BODY : Glass-Filled Thermoplastic PBT, UL 94V-0

CONTACTS : Copper alloy
15u" gold over 50u" nickel on mating area
100u" tin over 50u" nickel on termination area

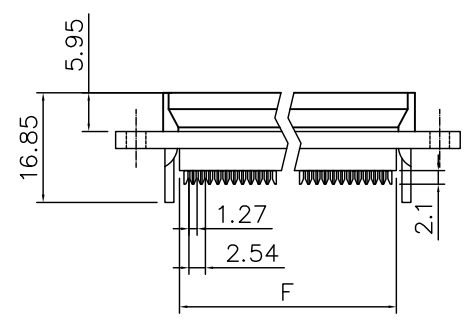
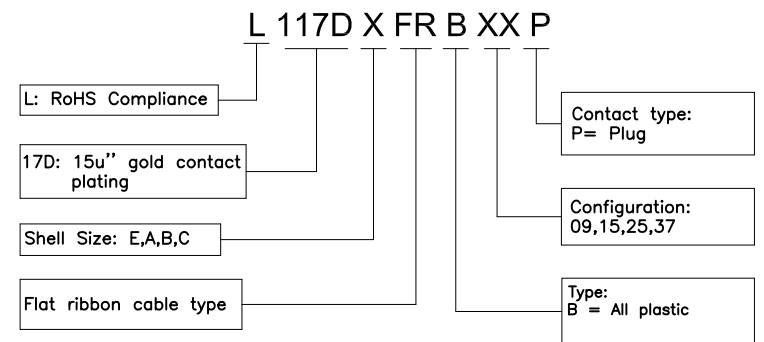
ELECTRICAL : Voltage rating 250 VAC/Rms 60Hz
Current Rating 3 AMP
Withstanding Voltage >1000 VAC Rms
Insulation resistance >1000 M Ohms
Contact resistance 20 mOhms max

MARKING : Amphenol...(Series No.)
Commercial reference
Manufacturing date

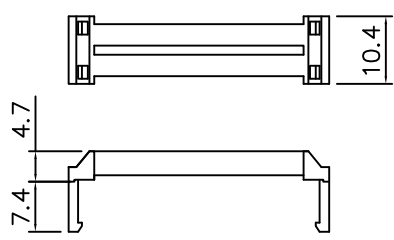


Cover

PRODUCT CODE



With Insulator Support



Strain Relief

Dimensions

Positions	A	B	C	E	F
9	30.50	25.00	18.05	11.08	13.10
15	39.00	33.32	26.35	19.39	20.70
25	53.08	47.04	40.95	33.24	33.68
37	69.25	63.50	56.75	49.86	50.30



UNLESS OTHERWISE SPECIFIED TOLERANCES		APPROVAL		DATE
U.S.	METRIC	DRAWN	Checked	
.X +/-	0.50	Felix Liu		04/16/15
.XX +/-	0.30			
.XXX +/-	0.20			
FRACTIONS +/-				
ANGLES +/-	5°			
FOR MATERIALS AND FINISHES SEE NOTES		DRAWING FILE :		
REMOVE SHARP EDGES		ANGLE OF PROJECTION		
DIMENSIONS		U.S. INCHES		
U.S. INCHES		METRIC MM		

Amphenol		Amphenol East Asia Limited
TITLE		
IDC Flat cable,DFR Series		
SIZE	DRAWING NO.	REV.
A4	L117DXFRBXXP	1
SCALE	NONE	SHEET 1 OF 1