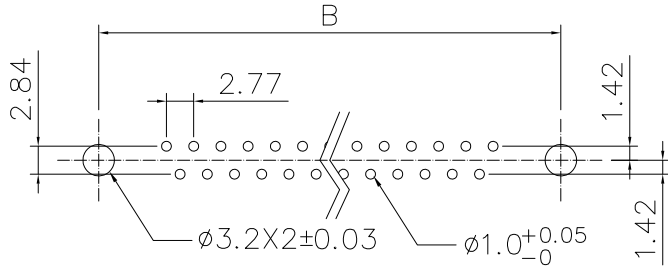
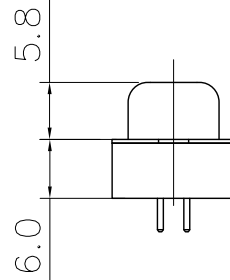
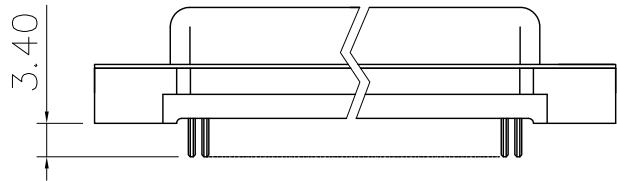
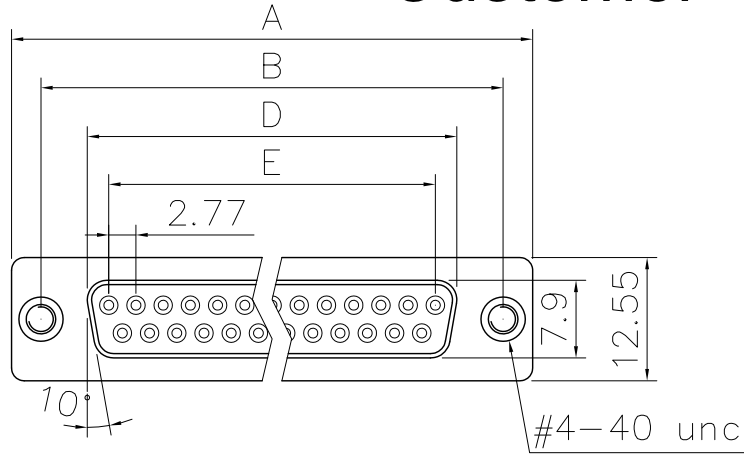


This document is the property of Amphenol Corporation and is delivered on the express condition that it is not to be disclosed, reproduced or used, in whole or in part, for manufacture or sale by anyone other than Amphenol Corporation without its prior consent, & that no right is granted to disclose or to use any information in this document.

Customer drawing



Recommended PCB Layout
Tolerance: $\pm 0.05\text{mm}$

Dimensions

Positions	A	B	D	E
9	30.81	24.99	16.33	11.08
15	39.20	33.30	24.70	19.39
25	53.05	47.04	38.40	33.24
37	69.40	63.50	54.80	49.86

REVISIONS				
SYM	ECN	DESCRIPTION	DATE	APPROVED
1	HK--	First Release Drawing	06/12/14	IP

D-SUB TECHNICAL DATA

SHELL: Steel, 100u" Tin Over 50u" min nickel over 50u" min Copper
 BODY: PBT UL 94V-0
 CONTACTS: Copper alloy,
 15u"Gold over 50u" min nickel on contact area.
 100u" min tin over 50u" min nickel on solder area.

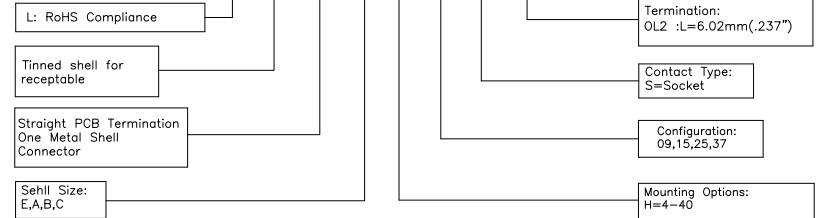
CLINCH NUT: Brass, 80u" min Nickel Plated

ELECTRICAL: Voltage rating 250 V Rms
 Current Rating :3 AMP
 Withstanding Voltage >1000 V Rms
 Insulation resistance >1000 M Ohms
 Contact resistance 20 mOhms max

MARKING: Amphenol-...(Series No.)
 Commercial reference
 Manufacturing date

PRODUCT CODE

L 177 TS X H XX S OL2



UNLESS OTHERWISE SPECIFIED TOLERANCES		APPROVAL		DATE
U.S.	METRIC	DRAWN	Checked	DATE
.X +/-	0.50	Felix Liu		06/12/14
.XX +/-	0.30	Tony Tang		06/12/14
.XXX +/-	0.20	CHECKED		
FRACTIONS +/-	5'			
ANGLES +/-				
FOR MATERIALS AND FINISHES SEE NOTES		DRAWING FILE :		
REMOVE SHARP EDGES		ANGLE OF PROJECTION		
DIMENSIONS				
U.S.	INCHES			
METRIC	MM			

Amphenol		
Amphenol East Asia Limited		
TITLE D-SUB connector, TS series		
SIZE	DRAWING NO.	REV.
A4	L177TSXHXXSOL2	1
SCALE	NONE	SHEET 1 OF 1