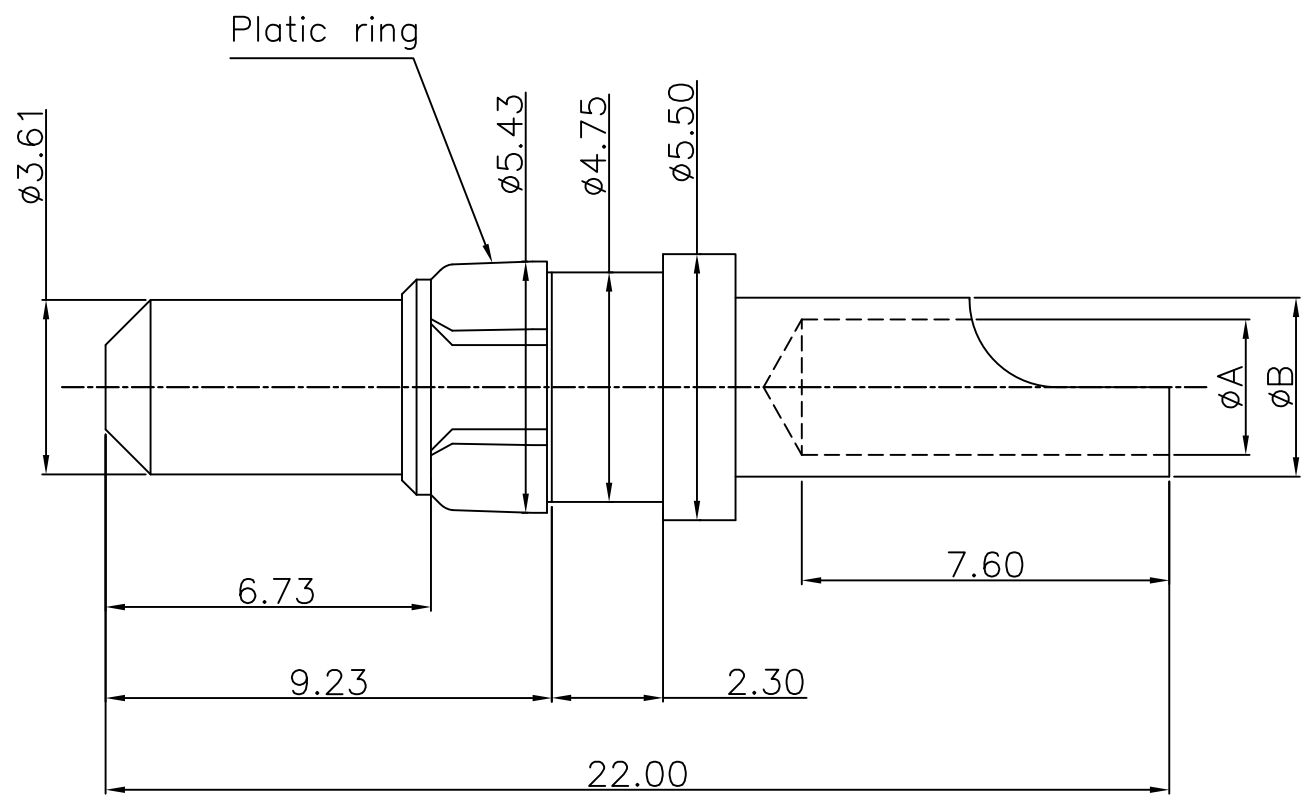


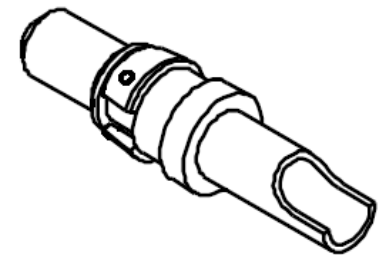
This document is the property of Amphenol Corporation and is delivered on the express condition that it is not to be disclosed, reproduced or used, in whole or in part, for manufacture or sale by anyone other than Amphenol Corporation without its prior consent, & that no right is granted to disclose or to use any information in this document.

REVISIONS				
SYM	ECN	DESCRIPTION	DATE	APPROVED
1	HK--	First Release Drawing	06/10/08	IP



Notes:

1. Material and finish
Body: CuZn36Pb3
15u" min gold plating over 50u" min nickel over all
Plastic ring: PEI
2. Technical characteristics
Peak voltage: 750V
Operating voltage: 500V
Temperature range: -55°C up to +155°C
Current capability see table
3. No burs, no crack on the contact
4. Retention force between contact and insulator: 3kg min.



Customer drawing

Plug	Current	Dimensions	
		A mm (inch)	B mm (inch)
L17DM53745-8	10 to 20 Amp	1.80 (.071")	2.55 (.100")
L17DM53745-7	20 to 30 Amp	2.80 (.110")	3.70 (.145")
L17DM53745-1	30 to 40 Amp	4.80 (.189")	5.50 (.220")

<small>UNLESS OTHERWISE SPECIFIED TOLERANCES</small> <small>U.S. METRIC</small> .X +/- 0.50 .XX +/- 0.30 .XXX +/- 0.20 FRACTIONS +/- ANGLES +/- 2° <small>FOR MATERIALS AND FINISHES SEE NOTES</small> <small>REMOVE SHARP EDGES</small> <small>DIMENSIONS</small> U.S. INCHES METRIC MM	<small>APPROVAL</small> <small>DRAWN</small> Mary.ma 06/10/08 <small>CHECKED</small> lsk.wang 06/10/08 <small>CHECKED</small>	<small>DATE</small> 06/10/08	Amphenol Amphenol East Asia Limited <small>TITLE</small> Power contact with plastic ring <small>SIZE DRAWING NO.</small> A4 C L17DM53745-X <small>SCALE</small> NONE <small>SHEET 1 OF 1</small>
	<small>DRAWING FILE :</small>	<small>ANGLE OF PROJECTION</small> 	
	<small>REV.</small> 1	<small>SCALE</small> NONE <small>SHEET 1 OF 1</small>	
	<small>SCALE</small> NONE <small>SHEET 1 OF 1</small>		