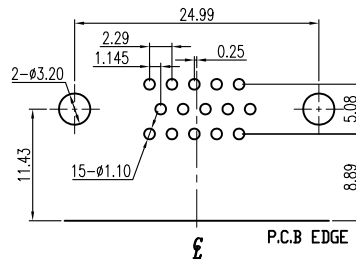
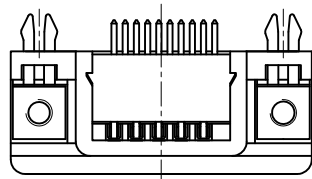
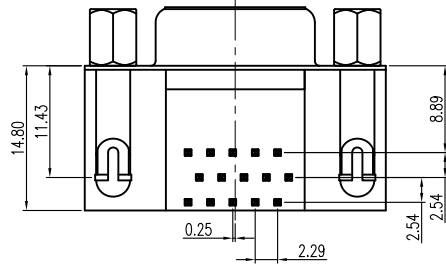
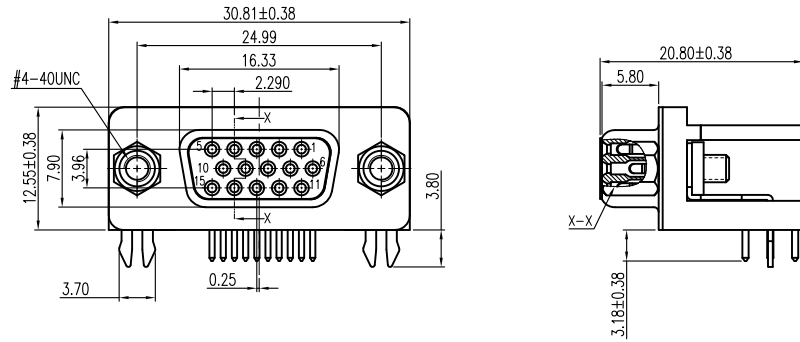


This document is the property of Amphenol Corporation and is delivered on the express condition that it is not to be disclosed, reproduced or used, in whole or in part, for manufacture or sale by anyone other than Amphenol Corporation without its prior consent, & that no right is granted to disclose or to use any information in this document.

Customer Drawing



RECOMMENDED P.C.B. LAYOUT
TOLERANCE: ±0.05MM



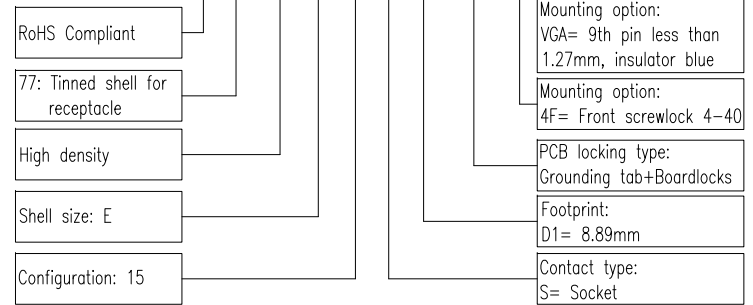
REVISIONS				
SYM	ECN	DESCRIPTION	DATE	APPROVED
1	HK--	First Release Drawing	08/08/12	IP
2	HK--	Added packing drawing	08/17/21	IP

D-SUB TECHNICAL DATA

SHELL : SPCC, 100u" min tin over 50u" min Nickel over 50u" min Copper
 BODY : PBT UL 94V-0 Color: Blue
 CONTACTS : Copper Alloy
 Gold flash over 50u" min nickel on mating area.
 100u" min tin over 50u" min nickel on solder area.
 BOARDLOCK: Copper alloy, Tin plated.
 REAR NUT: Copper alloy, Nickel plated.
 SCREWLOCK: Copper alloy, Nickel plated.
 ELECTRICAL : Voltage rating 250 V Rms
 Current rating 3A
 Withstanding Voltage >1000 V Rms
 Insulation resistance >1000 M Ohms
 Contact resistance 25 mOhms max.
 MARKING : Amphenol...(Series No.)
 Commercial reference
 Manufacturing date

PRODUCT CODE

L 77 HD E 15 S D1 CH 4F VGA



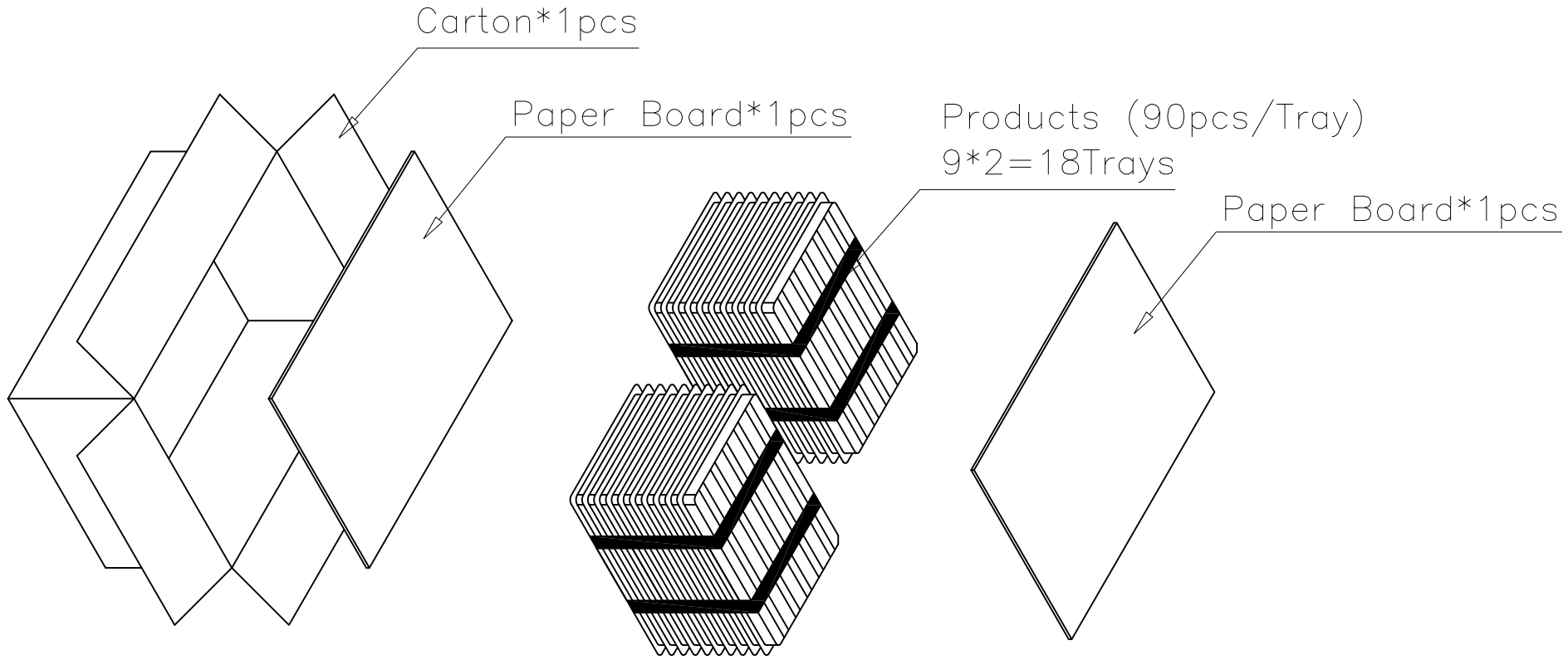
UNLESS OTHERWISE SPECIFIED TOLERANCES	APPROVAL		DATE
	U.S.	METRIC	
.X +/-	0.50	DRAWN	08/17/21
.XX +/-	0.30	CHECKED	08/17/21
.XXX +/-	0.20	CHECKED	
FRACTIONS +/-	5°	DRAWING FILE :	
ANGLES +/-		ANGLE OF PROJECTION	
FOR MATERIALS AND FINISHES SEE NOTES			
REMOVE SHARP EDGES			
DIMENSIONS			
U.S.	INCHES		
METRIC	MM		

Amphenol		
TITLE D-SUB connector, HD Series		
SIZE	DRAWING NO.	REV.
A4	L77HDE15SD1CH4FVGA	2
SCALE	NONE	SHEET 1 OF 2

This document is the property of Amphenol Corporation and is delivered on the express condition that it is not to be disclosed, reproduced or used, in whole or in part, for manufacture or sale by anyone other than Amphenol Corporation without its prior consent, & that no right is granted to disclose or to use any information in this document.

Customer Drawing

REVISIONS				
SYM	ECN	DESCRIPTION	DATE	APPROVED
1	HK--	First Release Drawing	08/08/12	IP
2	HK--	Added packing drawing	08/17/21	IP



Carton Size: 45*31*22.5CM
 Q' ty: 1620pcs/Carton



UNLESS OTHERWISE SPECIFIED		APPROVAL		DATE	<div style="text-align: center; font-size: 24px; font-weight: bold;">Amphenol</div>
TOLERANCES		DRAWN	Jan. Leo	08/17/21	
U.S.		CHECKED	Tony Tang	08/17/21	
METRIC		CHECKED			
.X +/-	0.50	DRAWING FILE :			TITLE D-SUB connector, HD Series
.XX +/-	0.30	ANGLE OF PROJECTION			
.XXX +/-	0.20				SIZE DRAWING NO. A4 L77HDE15SD1CH4FVGA
FRACTIONS +/-	5'	REMOVE SHARP EDGES DIMENSIONS U.S. INCHES METRIC MM			SCALE NONE SHEET 2 OF 2
ANGLES +/-					REV. 2