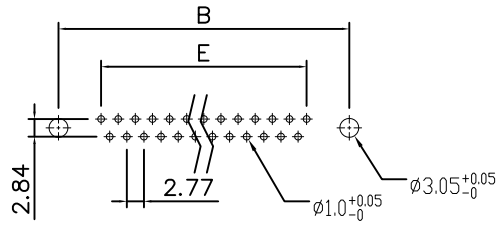
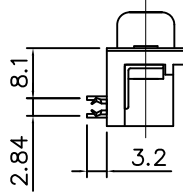
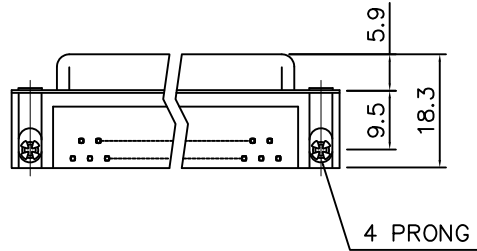
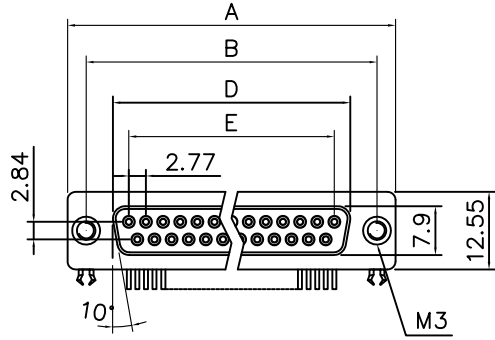


This document is the property of Amphenol Corporation and is delivered on the express condition that it is not to be disclosed, reproduced or used, in whole or in part, for manufacture or sale by anyone other than Amphenol Corporation without its prior consent, & that no right is granted to disclose or to use any information in this document.

# Customer drawing



RECOMMENDED P.C.B LAYOUT  
TOLERANCE:  $\pm 0.05\text{mm}$

### Dimensions

Positions	A	B	D	E
9	30.81	24.99	16.33	11.08
15	39.20	33.30	24.70	19.39
25	53.05	47.04	38.40	33.24
37	69.40	63.50	54.80	49.86

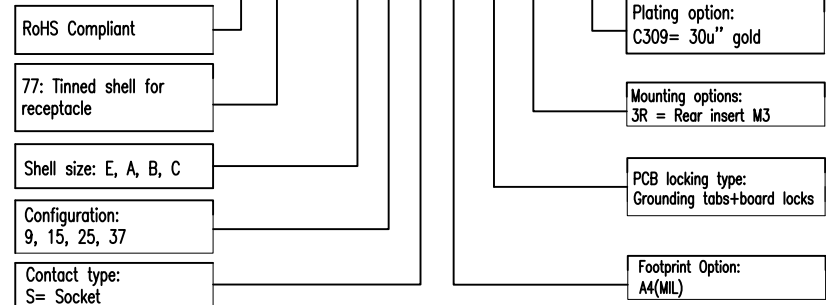
REVISIONS				
SYM	ECN	DESCRIPTION	DATE	APPROVED
1	HK--	First Release Drawing	10/30/17	IP

### D-SUB TECHNICAL DATA

SHELL : Steel, 100u" min Tin over 50u" min Nickel over 50u" min Copper  
 BODY : PBT, UL 94V-0, Color Black.  
 CONTACTS : Copper alloy  
 30u" Gold over 50u" nickel on mating area  
 100u" tin over 50u" nickel on solder area  
 BOARDLOCK: Copper Alloy, Tin Plated.  
 REAR RIVET: Copper Alloy, Nickel Plated.  
 ELECTRICAL : Voltage rating 250 VAC (RMS)  
 Current Rating 3 AMP  
 Withstanding Voltage >1000 VAC(RMS)  
 Insulation resistance >1000 M Ohms  
 Contact resistance 20 mOhms max  
 MARKING : Amphenol...(Series No.)  
 Commercial reference  
 Manufacturing date

### PRODUCT CODE

L 77 SD X XX S A4 CH 3R C309



UNLESS OTHERWISE SPECIFIED TOLERANCES		APPROVAL		DATE
U.S.	METRIC	DRAWN	FILED	10/30/17
.X +/-	0.50			
.XX +/-	0.30			
.XXX +/-	0.20			
FRACTIONS +/-				
ANGLES +/-	5°			
FOR MATERIALS AND FINISHES SEE NOTES		DRAWING FILE :		
REMOVE SHARP EDGES		ANGLE OF PROJECTION		
DIMENSIONS				
U.S. INCHES				
METRIC MM				

Amphenol		
D-SUB, R/A series		
TITLE	SIZE	DRAWING NO.
	A4	L77SDXXXSA4CH3RC309
SCALE	NONE	REV. 1
SHEET 1		OF 1