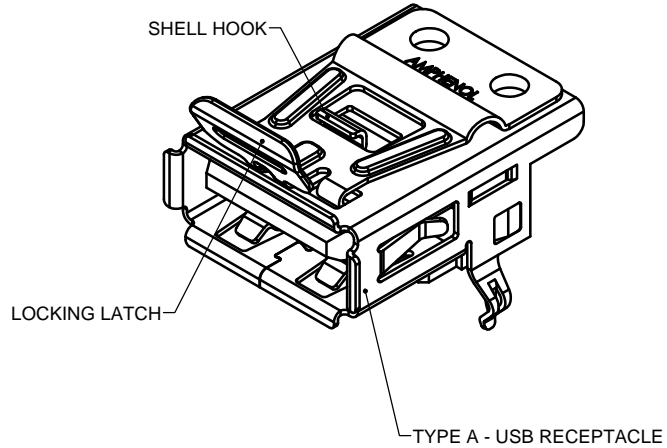
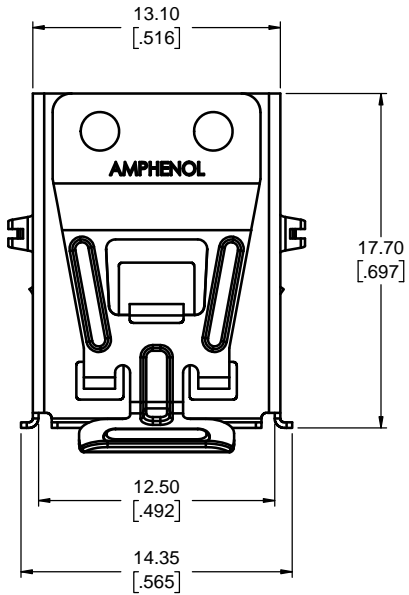
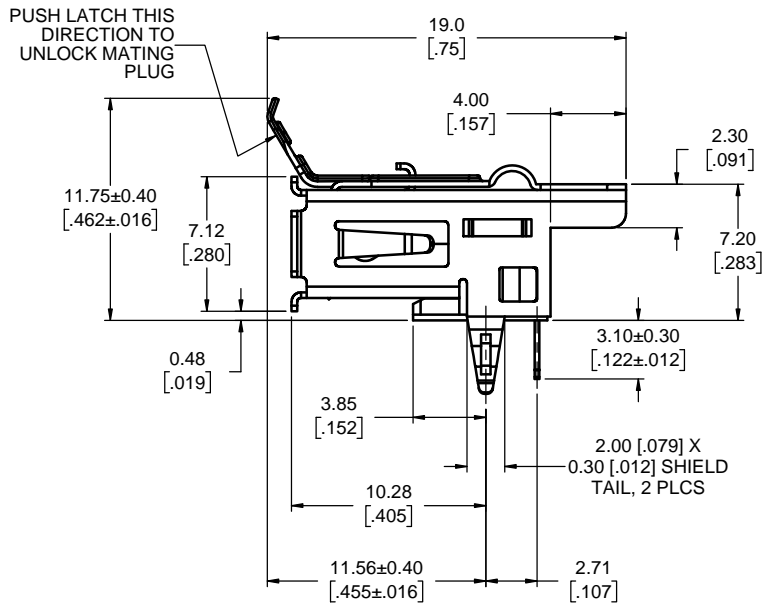
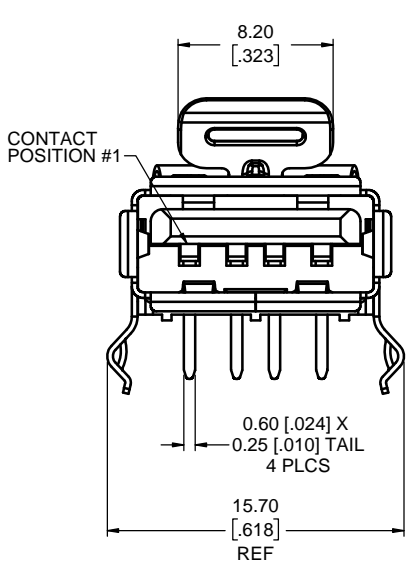


REVISIONS			
REV	DESCRIPTION, ECN, EAR NO.	DATE	APP'D
E	PRODUCT DRAWING (EAR 14417)	NOV24/16	K.L.
F	PRODUCT DRAWING (EAR 14642)	FEB27/18	K.L.



USB 2.0 STANDARD-A CONNECTOR PIN ASSIGNMENTS		
PIN NUMBER	SIGNAL NAME	DESCRIPTION
1	VBUS	POWER
2	D-	USB 2.0 DIFFERENTIAL PAIR
3	D+	
4	GND	GROUND FOR POWER RETURN
SHELL	Shield	CONNECTOR METAL SHELL



NOTES:

- MATERIAL:
 - SHELL: NICKEL PLATED COPPER ALLOY
 - HOUSING: HIGH TEMPERATURE THERMOPLASTIC UL94V-0, COLOR - BLACK
 - CONTACTS: PHOSPHOR BRONZE, PLATED WITH 0.76µm (30µ") GOLD OVER NICKEL ON MATING AREA & MATTE TIN ON SOLDER TAILS
 - LOCKING LATCH: STAINLESS STEEL
- FEATURE: POSITIVE LOCK ON TYPE A, USB RIGHT ANGLE RECEPTACLE, WORKS WITH ANY STANDARD USB 2.0 TYPE A PLUG
- LOCKING RETENTION FORCE: 50 N (11.2 Lbf) MINIMUM
- OPERATING TEMPERATURE: -40°C TO +85°C.
- CURRENT RATING: 1.5 AMPERES
- ALL MATERIALS USED FOR CONNECTOR AND PACKAGING ARE RoHS COMPLIANT PER EU DIRECTIVE 2011/65/EU AND AMENDMENTS.

AMPHENOL PART NUMBER: LUSB-A111-00

UNLESS SPECIFIED OTHERWISE	DRAWN LAWRENCE KIM	OCT19/07
PRIMARY UNITS MILLIMETERS	CHECKED LAWRENCE KIM	OCT19/07
SECONDARY INCHES	M.E. APP'D	
REFERENCE IN PARENTHESES	Q.A. APP'D	
GENERAL TOLERANCES	DWG APPR.	
1 DECIMAL PLACE ±0.4	ENG. REL. NO. EAR 14211	
2 DECIMAL PLACES ±0.25	REF.	
3 DECIMAL PLACES		
ANGULAR DEGREES	THIRD ANGLE PROJECTION	DO NOT SCALE DRAWING

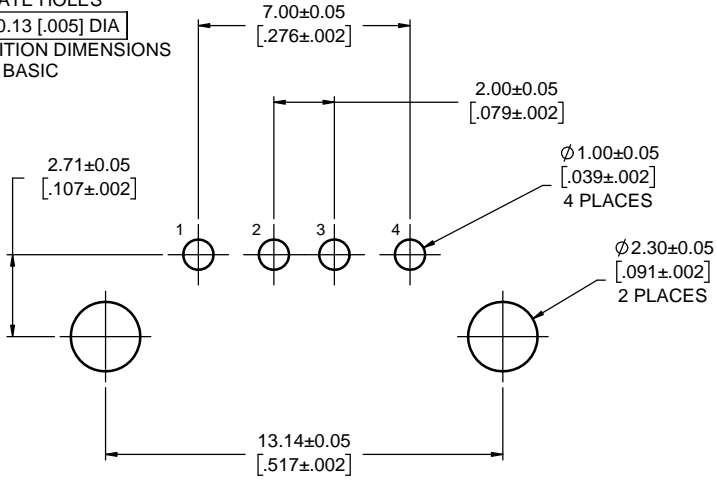
Amphenol Canada Corp.
www.amphenolcanada.com
LUSB SERIES, USB 2.0 TYPE A RECEPTACLE WITH POSITIVE LOCKING LATCH, RIGHT ANGLE PCB TAIL, RoHS COMPLIANT

DWG. NO. **P-LUSB-A111-00** REV **F**

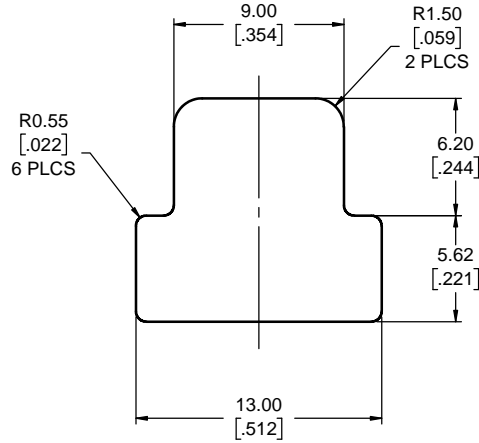
CODE ID NO. 03554 DWG SIZE: X SCALE: 4:1 SHEET 1 OF 2

REVISIONS			
REV	DESCRIPTION, ECN, EAR NO.	DATE	APP'D
E	PRODUCT DRAWING (EAR 14417)	NOV24/16	K.L.
F	PRODUCT DRAWING (EAR 14642)	FEB27/18	K.L.

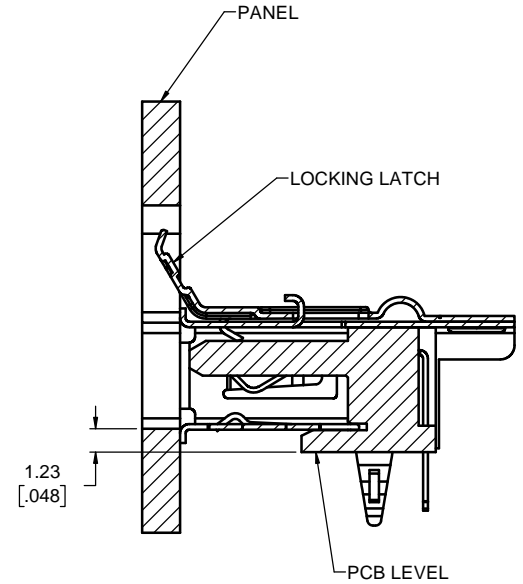
LOCATE HOLES
 $\varnothing 0.13$ [.005] DIA
 POSITION DIMENSIONS
 ARE BASIC



RECOMMENDED PCB LAYOUT
 COMPONENT SIDE OF BOARD



RECOMMENDED PANEL CUTOUT
 OUTSIDE VIEW OF PANEL



SECTION THROUGH PANEL CUTOUT



UNLESS SPECIFIED OTHERWISE	DRAWN LAWRENCE KIM	OCT19/07
PRIMARY UNITS MILLIMETERS	CHECKED LAWRENCE KIM	OCT19/07
SECONDARY INCHES	M.E. APP'D	
REFERENCE IN PARENTHESES	Q.A. APP'D	
GENERAL TOLERANCES	DWG APPR.	
1 DECIMAL PLACE ± 0.4	ENG. REL. NO.	EAR 14211
2 DECIMAL PLACES ± 0.25	REF.	
3 DECIMAL PLACES	THIRD ANGLE PROJECTION	
ANGULAR DEGREES	DO NOT SCALE DRAWING	

Amphenol Canada Corp.
www.amphenolcanada.com
 USB SERIES, USB 2.0 TYPE A
 RECEPTACLE WITH POSITIVE
 LOCKING LATCH, RIGHT ANGLE
 PCB TAIL, RoHS COMPLIANT

DWG. NO. **P-USB-A111-00** REV **F**

CODE ID NO. 03554 DWG SIZE: X SCALE: 5:1 SHEET 2 OF 2