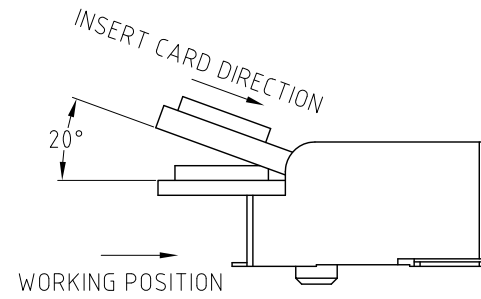
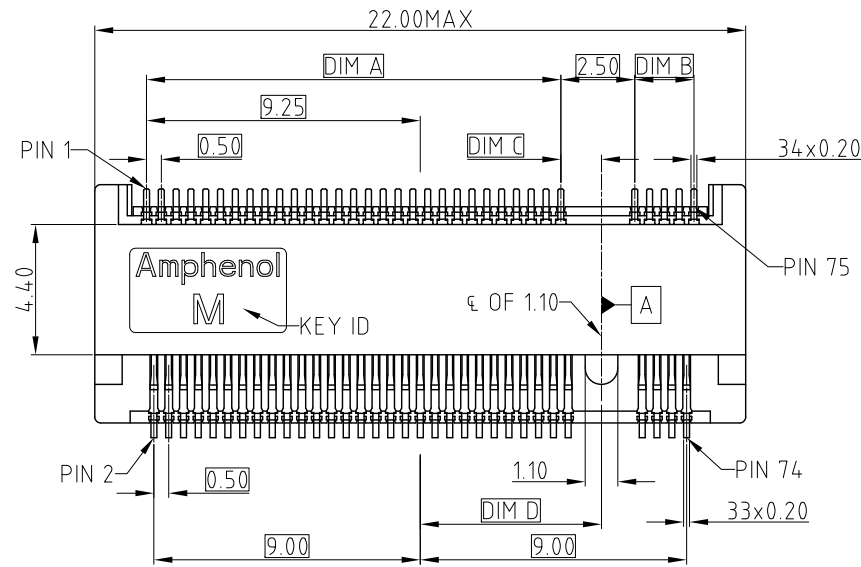


This document is the property of Amphenol Corporation and is delivered on the express condition that it is not to be disclosed, reproduced or used, in whole or in part, for manufacture or sale by anyone other than Amphenol Corporation without its prior consent, & that no right is granted to disclose or to use any information in this document.

# CUSTOMER DRAWING

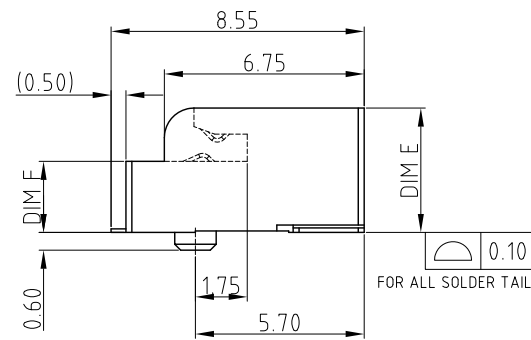
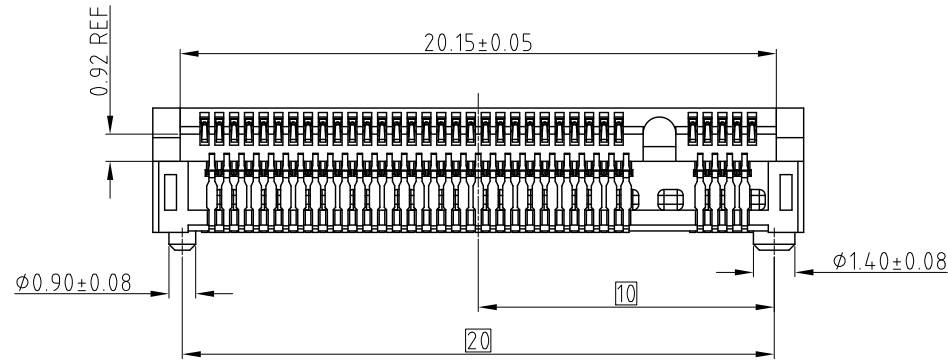
## REVISIONS

SYM	ECN	DESCRIPTION	DATE	APPROVED
1	CDXXXX	NEW RELEASE	SEP.25,2013	YH
2	CDXXXX	UPDATE DRAWING	SEP.26,2013	YH
3	CDXXXX	UPDATE DRAWING	NOV.22,2013	YH
4	CD0620	UPDATE DRAWING	APR.30,2014	YH
5	CDXXXX	ADD PCB DIMENSION OF KEY A B E.	Jul.16,2015	YH
6	CD0861	REMOVE PN	Jun.21,2016	YH
7	CD0877	REVISE DRAWING	Sep.22,2016	YH



### NOTE:

- MATERIAL:  
PLASTIC: LCP, UL 94V-0, BLACK  
CONTACT: COPPER ALLOY  
BOARD LOCK: ALLOY
- FINISHED:  
CONTACT AREA: SEE P/N SYSTEM  
SOLDER AREA: GOLD FLASH  
BOARD LOCK: TIN PLATING 2.54um MIN  
UNDERPLATED: NI PLATING 1.27um MIN.
- ELECTRICAL PERFORMANCE:  
3.1 CURRENT RATING: 0.5A PER PIN, VOLTAGE RATING: 50 VAC PER PIN  
3.2 DIELECTRIC STRENGTH: 300V AC FOR 1 MINUTE  
3.3 INSULATION RESISTANCE: 500MΩ MIN  
3.4 CONTACT RESISTANCE: 55mΩ MAX  
3.5 OPERATION TEMPERATURE: -40°C TO +85°C
- DIMENSIONING SHALL BE INTERPRETED PER ASME Y14.5M 1994
- MATERIAL SHOULD BE FULFILLED AMPHENOL SPEC# S-SN-002 FOR HALOGEN FREE PRODUCTS, ALSO NEED TO MEET # S-SN-004



### ORDER P/N SYSTEM:

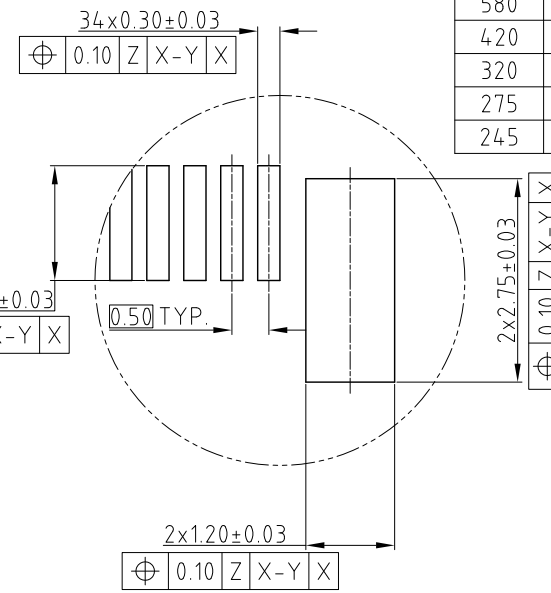
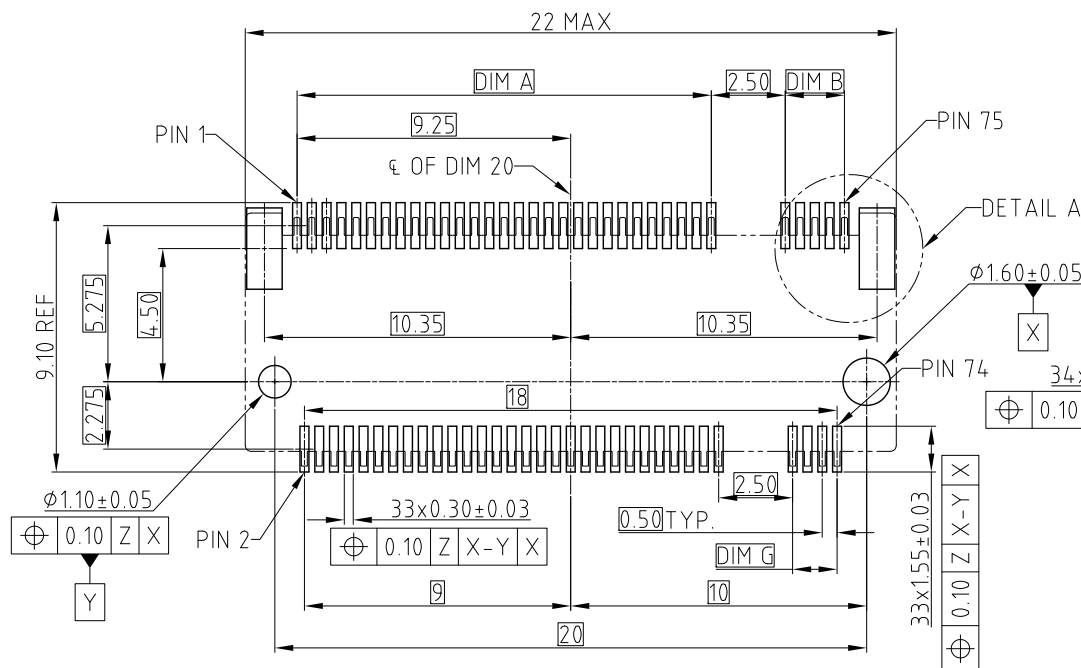
MDT XXX X XX 001

### CONNECTOR HEIGHT

XXX	DIM E	DIM F	
580	5.80MAX	4.14MAX	TOOLED
420	4.20MAX	2.54MAX	TOOLED
320	3.20MAX	1.54MAX	TOOLED
275	2.75MAX	0.89MAX	TOOLED
245	2.45MAX	0.61MAX	NOT TOOLED

PLATING  
01 0.76 MICRONS GOLD PLATING  
02 0.38 MICRONS GOLD PLATING  
03 GOLD FLASH

CONNECTOR KEY ID  
A - KEY A  
B - KEY B  
E - KEY E  
M - KEY M



RECOMMENDED M.2 MINI CARD MOUNTING TYPE\_SMT\_PCB OUTLINE  
DATUM Z: PCB SOLDER SURFACE

DETAIL A  
SCALE 2.5:1

M	14.0	2.0	1.375	6.125	1.50	
E	5.5	10.5		-2.625	10.50	
B	2.5	13.5	1.125	-5.625	13.50	
A	1.5	14.5		-6.625	14.50	
KEY ID	DIM.A	DIM.B	DIM.C	DIM.D	DIM.G	REMARK

### UNLESS OTHERWISE SPECIFIED TOLERANCES

U.S. METRIC  
.X +/- 0.50  
.XX +/- 0.25  
.XXX +/-  
FRACTIONS +/-  
ANGLES +/- 5°

### FOR MATERIALS AND FINISHES SEE NOTES

REMOVE SHARP EDGES  
DIMENSIONS  
U.S. INCHES  
(METRIC) (MM)

APPROVAL DATE  
DRAWN Teng.Cao Sep.22,2016  
CHECKED Ly.yi Sep.22,2016  
APPROVED

DRAWING FILE :  
INTERNAL\DRAWING\M.2\CMDTXXXXX001

ANGLE OF PROJECTION

# Amphenol

TITLE  
M.2 MINI PCIe CONECTOR

SIZE A3  
DRAWING NO. C MDT-XXX-X-XX-001  
SCALE NONE  
SHEET 1 OF 1

D

C

B

A

4

3

2

1