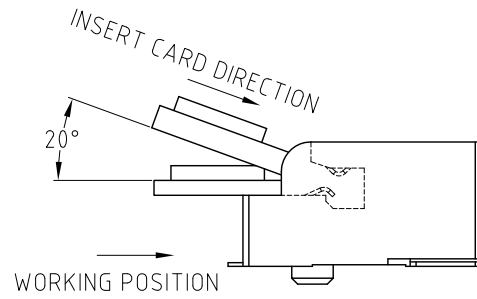
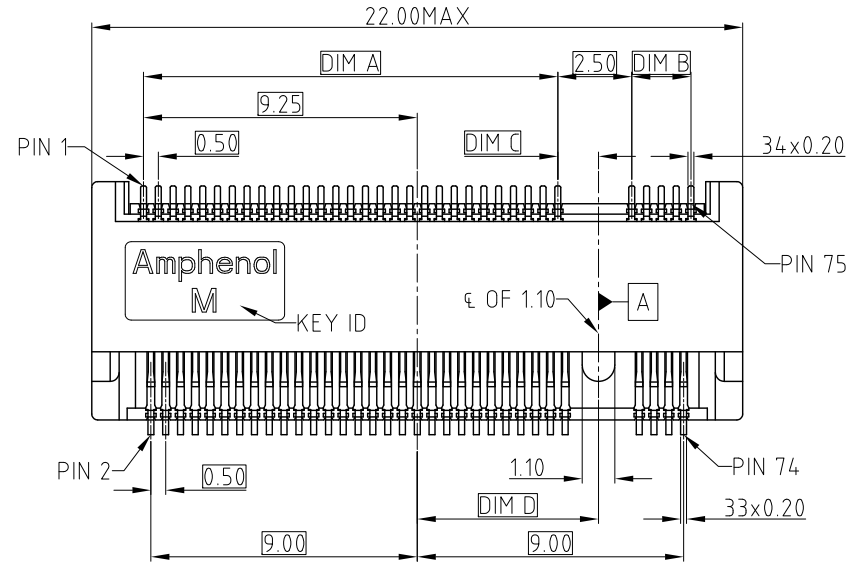


This document is the property of Amphenol Corporation and is delivered on the express condition that it is not to be disclosed, reproduced or used, in whole or in part, for manufacture or sale by anyone other than Amphenol Corporation without its prior consent, & that no right is granted to disclose or to use any information in this document.

# CUSTOMER DRAWING

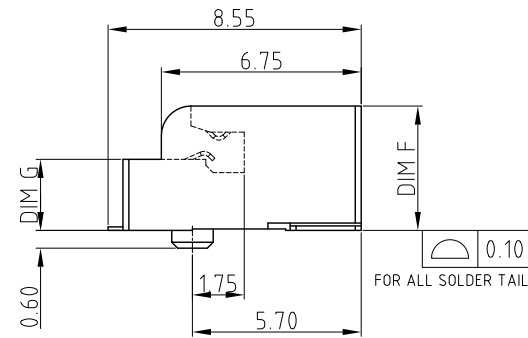
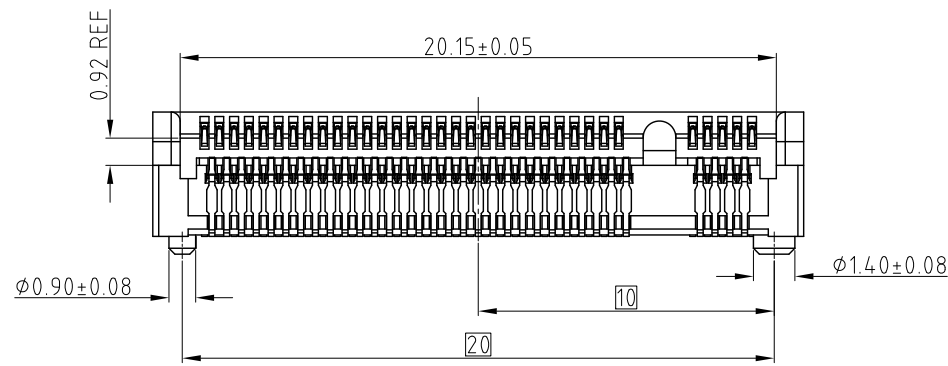
## REVISIONS

SYM	ECN	DESCRIPTION	DATE	APPROVED
1	CDXXXX	NEW RELEASE	Mar,20,2018	YH
1	CD1323	OFFICIAL RELEASE	Mar,20,2018	YH



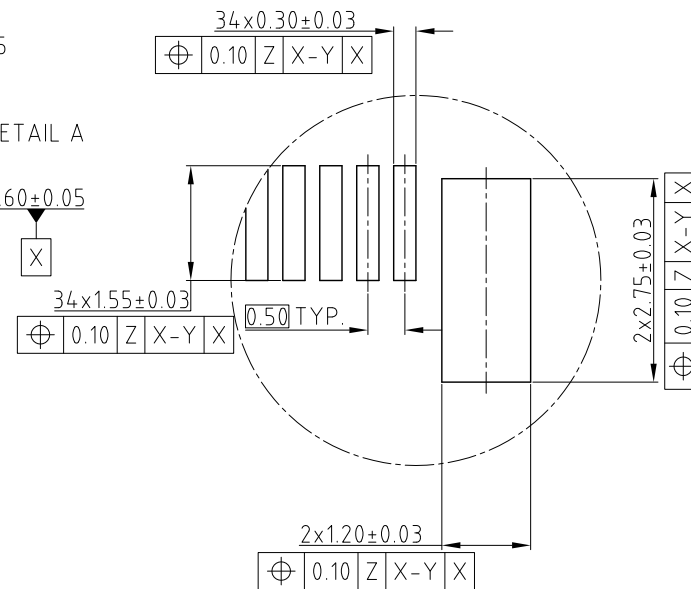
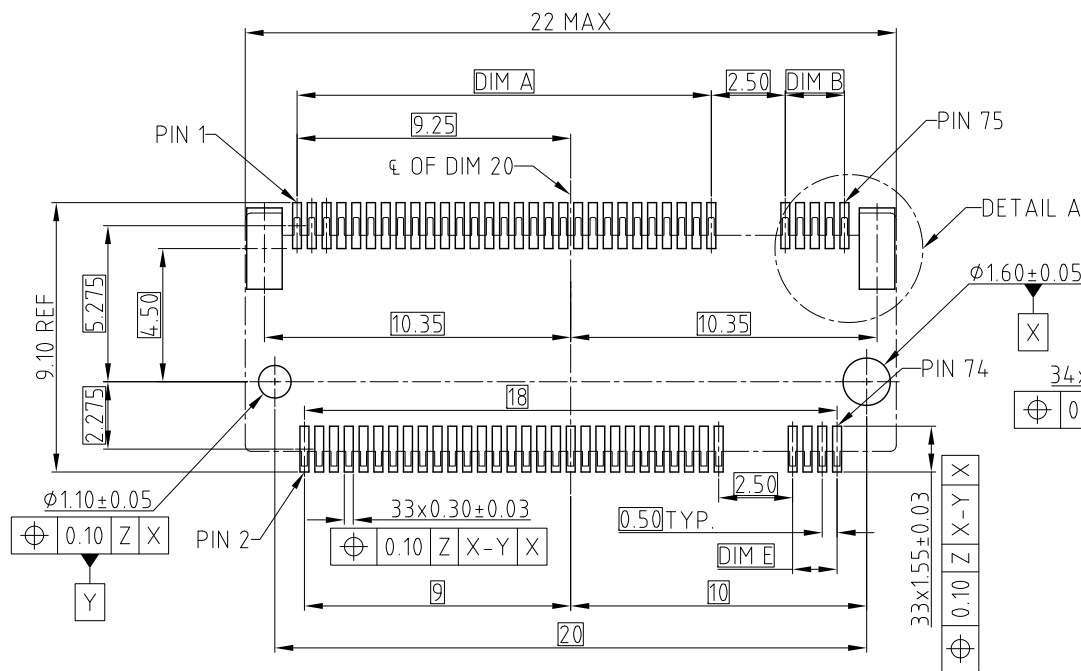
NOTE:

- MATERIAL:  
PLASTIC: LCP, UL 94V-0, BLACK  
CONTACT: COPPER ALLOY  
BOARD LOCK: ALLOY
- FINISHED:  
CONTACT AREA: SEE P/N SYSTEM  
SOLDER AREA: GOLD FLASH  
BOARD LOCK: TIN PLATING 2.54um MIN  
UNDERPLATED: NI PLATING 1.27um MIN.
- ELECTRICAL PERFORMANCE:  
3.1 CURRENT RATING: 0.5A PER PIN, VOLTAGE RATING: 50 VAC PER PIN  
3.2 DIELECTRIC STRENGTH: 300V AC FOR 1 MINUTE  
3.3 INSULATION RESISTANCE: 500MΩ MIN  
3.4 CONTACT RESISTANCE: 55mΩ MAX  
3.5 OPERATION TEMPERATURE: -40°C TO +80°C
- DIMENSIONING SHALL BE INTERPRETED PER ASME Y14.5M 1994
- MATERIAL SHOULD BE FULFILLED AMPHENOL SPEC# S-SN-002 FOR HALOGEN FREE PRODUCTS, ALSO NEED TO MEET # S-SN-004



ORDER P/N SYSTEM:

XXX	DIM F	DIM G	CONNECTOR HEIGHT	PLATING
580	5.80MAX	4.14MAX	TOOLED	01 0.76 MICRONS GOLD PLATING
420	4.20MAX	2.54MAX	TOOLED	02 0.38 MICRONS GOLD PLATING
				03 GOLD FLASH



RECOMMENDED M.2 MINI CARD MOUNTING TYPE\_SMT\_PCB OUTLINE  
DATUM Z: PCB SOLDER SURFACE

DETAIL A  
SCALE 2.5:1

KEY ID	DIM.A	DIM.B	DIM.C	DIM.D	DIM.E	REMARK
G	9.0	7.0	1.375	1.125	6.50	NOT TOOLED
M	14.0	2.0	1.125	6.125	1.50	
E	5.5	10.5		-2.625	10.50	
B	2.5	13.5		-5.625	13.50	
A	1.5	14.5		-6.625	14.50	

UNLESS OTHERWISE SPECIFIED TOLERANCES		APPROVAL	DATE
.X	+/-	DRAWN Teng.Cao	Mar,20,2018
.XX	+/-	CHECKED Ly.Yi	Mar,20,2018
.XXX	+/-	APPROVED	
FRACTIONS	+/-	DRAWING FILE :	
ANGLES	+/-	INTERNAL\DRAWING\M.2\CMDT420XXX003	
REMOVE SHARP EDGES		ANGLE OF PROJECTION	
DIMENSIONS			
U.S.	INCHES		
(METRIC)	(MM)		

Amphenol			
TITLE			
M.2 MINI PCIe GEN4 CONNECTOR			
SIZE	DRAWING NO.	REV.	
A3	C MDTXXXXXX003	1	
SCALE	NONE	SHEET 1 OF 1	