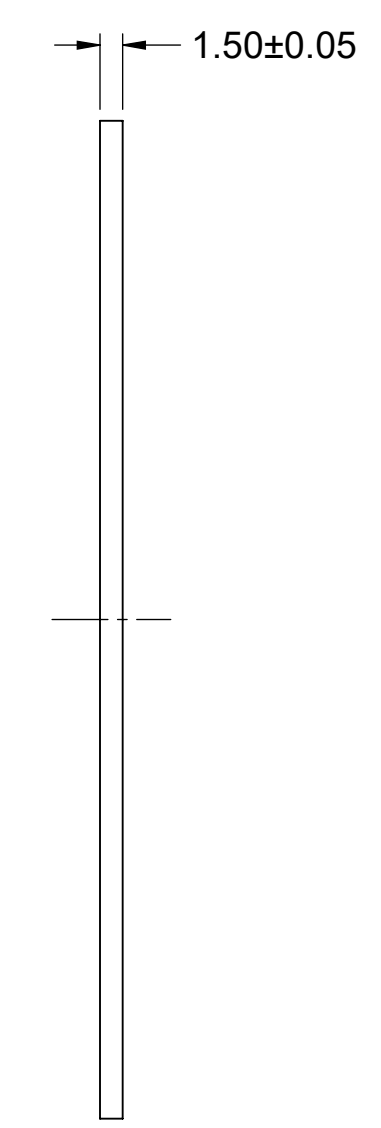
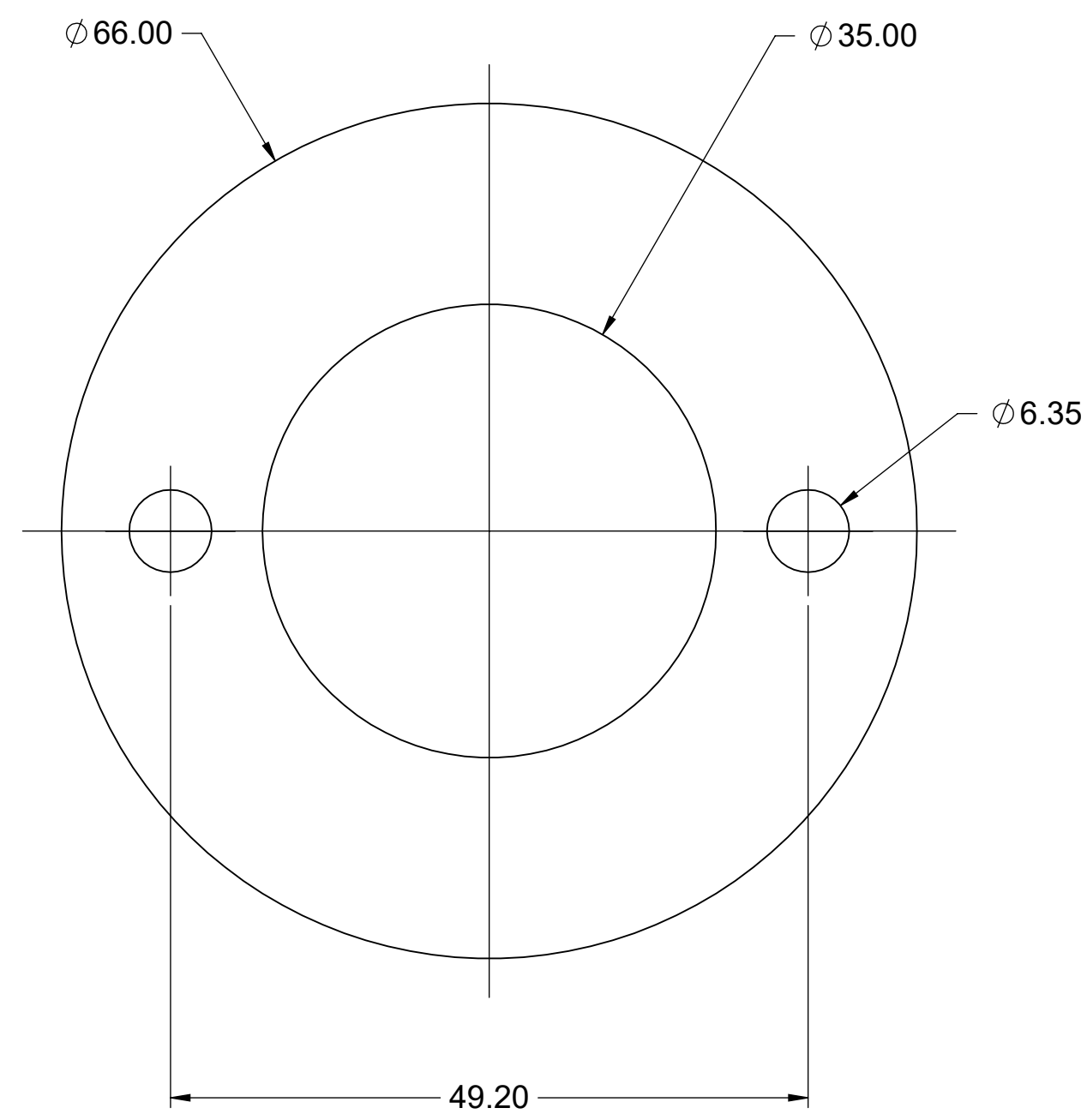


| REVISIONS | | | |
|-----------|---------------------------|----------|-------|
| REV | DESCRIPTION, ECN, EAR NO. | DATE | APP'D |
| A | INITIAL RELEASE | APR01/20 | S.M. |
| B | REVISED AS EAR#14893 | NOV11/20 | M.P. |



NOTES:

1. MATERIAL: SILICONE RUBBER. COLOUR: BLACK, FLAMMABILITY RATING: UL 94V-0
2. OPERATING TEMPERATURE: -40°C TO 105°C
3. PART TO BE USED WITH FLA SERIES DIMMING CONTROL RECEPTACLES
4. MATERIAL IS RoHS COMPLIANT PER EU DIRECTIVE 2011/65/EU AND AMENDMENTS.



AMPHENOL PART NUMBER: FLA-2N-04BP

| | | | |
|----------------------------|------------------------|---------|----------|
| UNLESS SPECIFIED OTHERWISE | DRAWN | S.MUGAN | APR01/20 |
| PRIMARY UNITS MILLIMETERS | CHECKED | A.GREEN | APR01/20 |
| SECONDARY | M.E. APP'D | | |
| REFERENCE IN PARENTHESES | Q.A. APP'D | | |
| GENERAL TOLERANCES | DWG APPR. | | |
| 1 DECIMAL PLACE | ENG. REL. NO. | | |
| 2 DECIMAL PLACES ±0.50 | REF. | | |
| 3 DECIMAL PLACES | THIRD ANGLE PROJECTION | | |
| ANGULAR DEGREES | DO NOT SCALE DRAWING | | |

Amphenol Canada Corp.
Commercial Products

**FLA SERIES,
PANEL-SILICONE RUBBER GASKET,
RoHS COMPLIANT**

DWG. NO. **P-FLA-2N-04BP** REV **B**

CODE ID NO. **03554** DWG SIZE: X SCALE: 2:1 SHEET 1 OF 1