

ORDERING CODE: **FLH - SXX - XX - X XX**

FLH SERIES

CABLE CONFIGURATION
SEE TABLE 1

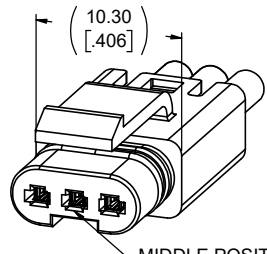
HOUSING COLOR
00 = BLACK HOUSING
W0 = WHITE HOUSING

WIRE GAUGE
8 = 18 AWG
0 = 20 AWG
2 = 22 AWG

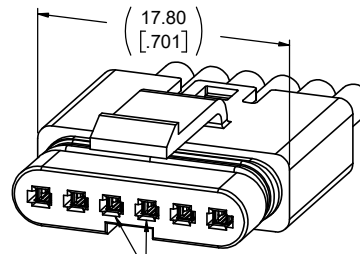
WIRE LENGTH 'L'

CODE	WIRE LENGTH 'L'
10 TO 99	WIRE LENGTH IN CM
A0 TO A9	1 METER + 0 TO 9 DECIMETERS
B0 TO B9	2 METER + 0 TO 9 DECIMETERS
C0 TO C9	3 METER + 0 TO 9 DECIMETERS
D0 TO D9	4 METER + 0 TO 9 DECIMETERS
E0 TO E9	5 METER + 0 TO 9 DECIMETERS
F0 TO F9	6 METER + 0 TO 9 DECIMETERS
G0 TO G9	7 METER + 0 TO 9 DECIMETERS
H0 TO H9	8 METER + 0 TO 9 DECIMETERS
J0 TO J9	9 METER + 0 TO 9 DECIMETERS
K0 TO K9	10 METER + 0 TO 9 METERS
L0 TO L9	20 METER + 0 TO 9 METERS
M0 TO M9	30 METER + 0 TO 9 DECAMETERS

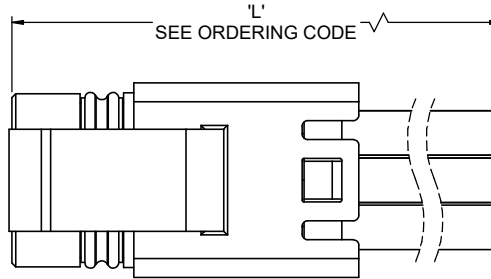
EXAMPLE: 75 CM = 75, 25 M = L5, 80 M = M5



MIDDLE POSITION VACANT FOR 2 POSITION CONNECTOR

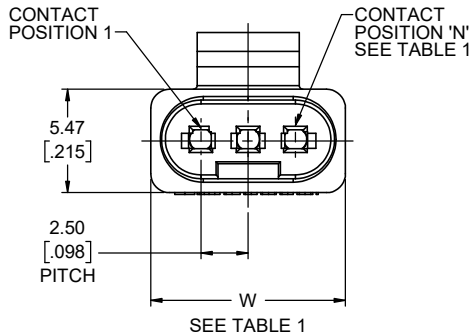


MIDDLE POSITION VACANT FOR 2 POSITION CONNECTOR

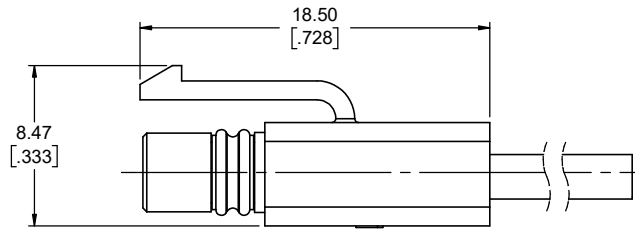


3 POSITION CABLE ASSEMBLY SHOWN

CABLE CONFIGURATION		NO. CONTACTS 'N'	WIDTH 'W'
STRANDED WIRE	SOLID WIRE		
S2C	S2P	2	10.30 [.406]
S3C	S3P	3	
S4C	S4P	4	17.80 [.701]
S6C	S6P	6	

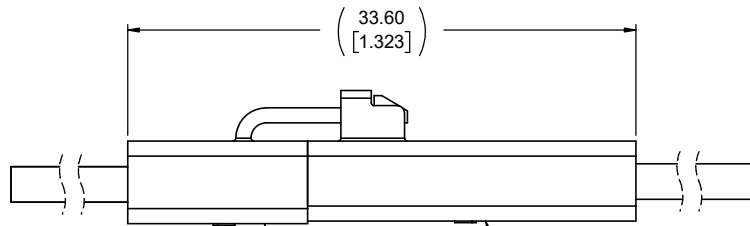


SEE TABLE 1



NOTES:

- MATERIALS: ALL MATERIALS ARE RoHS COMPLIANT PER EU DIRECTIVE 2011/65/EU & AMENDMENTS
 - HOUSING: ENGINEERING THERMOPLASTIC, UL FLAMMABILITY RATING 94V-0, COLOR PER ORDERING CODE
 - SEALS: SILICONE RUBBER, COLOR BLACK
 - WIRE: TINNED COPPER CONDUCTOR, PVC INSULATION FOR 18, 20 & 22 AWG WIRES, COLOR BLACK
- ELECTRICAL CHARACTERISTICS:
 - CURRENT RATING: 7A (18 AWG OR 1mm²) OR 5A (20 AWG OR 0.5 mm²) OR 3A (22 AWG OR 0.34 mm²) PER CONTACT
 - DIELECTRIC WITHSTANDING VOLTAGE: 1500 VAC
 - INSULATION RESISTANCE: 500 MEGAOHMS
 - OPERATING TEMPERATURE: -40°C TO +105°C
- ENVIRONMENTAL PROTECTION: IP67 PER IEC 60529 IN MATED CONDITION.



MATED VIEW

SOCKET CONNECTOR
FLH-SXX-XX-XXX

PIN CONNECTOR
FLH-PXX-XX-XXX



UNLESS SPECIFIED OTHERWISE	DRAWN	S.MUGAN	JAN22/22
PRIMARY UNITS MILLIMETERS	CHECKED	M.PAHULJE	JAN25/22
SECONDARY UNITS INCHES	M.E. APP'D		
REFERENCE IN PARENTHESES	Q.A. APP'D		
GENERAL TOLERANCES	DWG APPR.		
1 DECIMAL PLACE	ENG. REL. NO.		
2 DECIMAL PLACES	REF.		
3 DECIMAL PLACES	THIRD ANGLE PROJECTION		
ANGULAR DEGREES	DO NOT SCALE DRAWING		

Amphenol Canada Corp.
Commercial Products

FLH SERIES, MINI SEALED 2.5mm PITCH
PLUG CABLE ASSEMBLY,
RoHS COMPLIANT

DWG. NO.	REV
P-FLH-SXX-XX-XXX	E
CODE ID NO. 03554	DWG SIZE: X
SCALE: 5:1	SHEET 1 OF 1