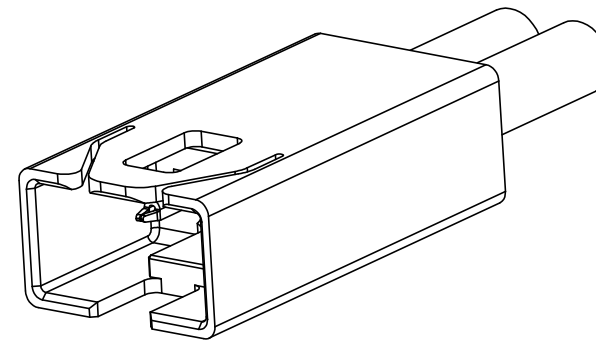
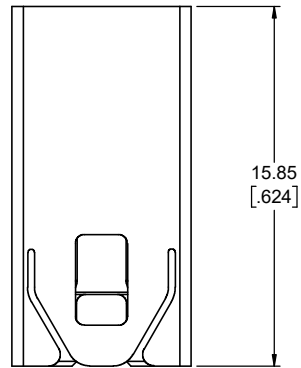
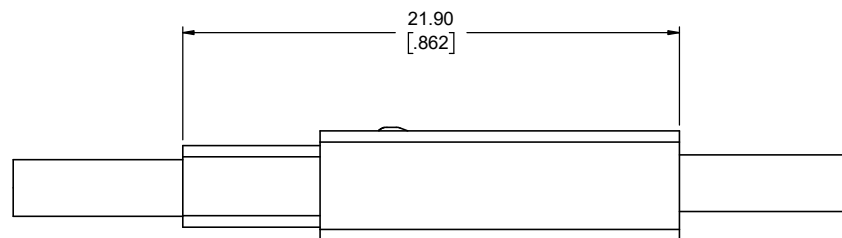
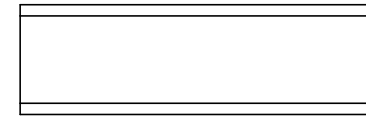
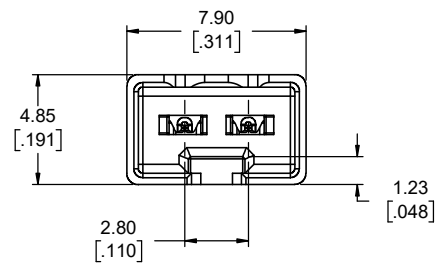




REVISIONS			
REV	DESCRIPTION, ECN, EAR NO.	DATE	APP'D
C	UPDATED WIDTH DIMENSION	MAR31/21	S.M.
D	DWV UPDATED	MAY04/21	S.M.



APPLICATION VIEW



MATED ASSEMBLY WITH FLM-S23-00 WIRES ASSEMBLED

NOTES:

- MATERIALS: ALL MATERIALS ARE RoHS COMPLIANT PER EU DIRECTIVE 2011/65/EU & AMENDMENTS
 - HOUSING: ENGINEERING THERMOPLASTIC, UL FLAMMABILITY RATING 94V-0, COLOUR BLACK
 - CONTACTS: COPPER ALLOY, PLATED WITH TIN OVER NICKEL
- ELECTRICAL CHARACTERISTICS
 - CURRENT RATING: 7A (18 AWG) OR 5A (20 AWG) OR 3A (22 AWG) PER CONTACT
 - DIELECTRIC WITHSTANDING VOLTAGE: 1500 VAC
 - INSULATION RESISTANCE: 500 MEGAOHMS
 - OPERATING TEMPERATURE: -40 °C TO +105 °C
- INSERT SOLID OR TIN DIPPED STRANDED WIRE, 3.5±0.25 MM STRIPPED LENGTH

AMPHENOL PART NUMBER: **FLM-P23-XX**

XX = 00 - BLACK HOUSING (STANDARD)
 XX = W0 - WHITE HOUSING
 XX = 01-99 CUSTOM CONFIGURATIONS

UNLESS SPECIFIED OTHERWISE	DRAWN	I.NELSON	AUG25/20
PRIMARY UNITS MILLIMETERS	CHECKED	S.MUGAN	OCT0820
SECONDARY UNITS INCHES	M.E. APP'D		
REFERENCE IN PARENTHESES	Q.A. APP'D		
GENERAL TOLERANCES	DWG APPR.		
1 DECIMAL PLACE	ENG. REL. NO.		
2 DECIMAL PLACES ±0.10	REF.		
3 DECIMAL PLACES	THIRD ANGLE PROJECTION		
ANGULAR DEGREES	DO NOT SCALE DRAWING		

Amphenol Canada Corp.
Commercial Products

FLM SERIES RECEPTACLE
WITH WIRE POKE IN CONTACT
RoHS COMPLIANT

DWG. NO.	REV
P-FLM-P23-XX	D
CODE ID NO. 03554	DWG SIZE: X
SCALE: 5:1	SHEET 1 OF 1