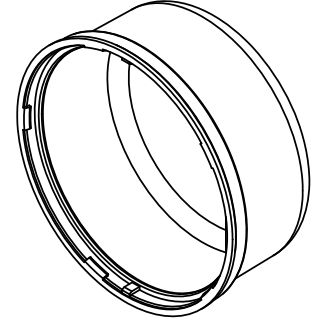
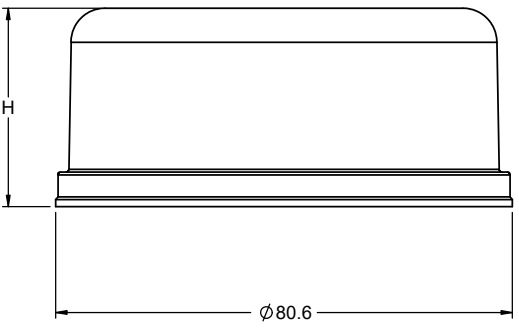
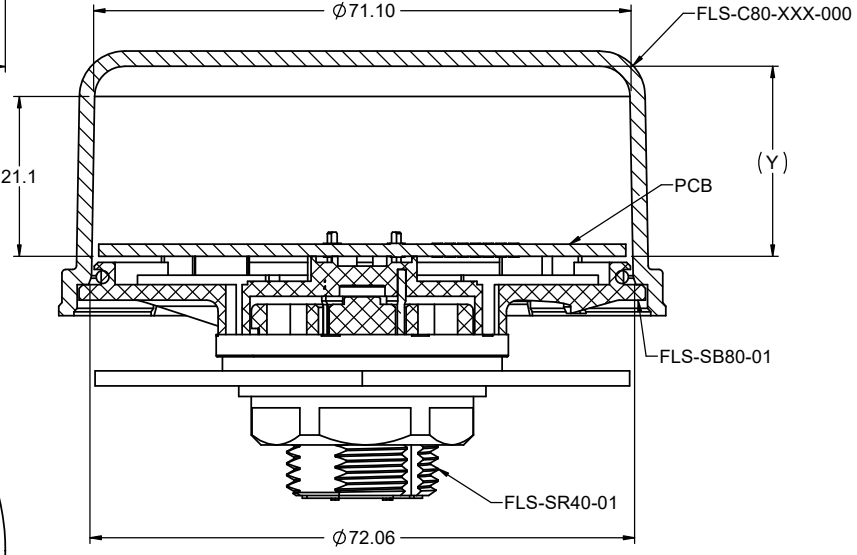


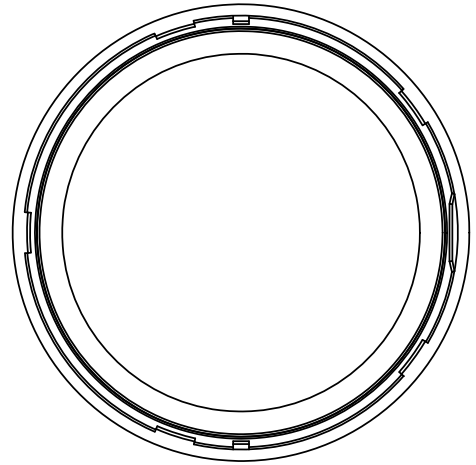
REVISIONS			
REV	DESCRIPTION, ECN, EAR NO.	DATE	APPD
C	COLOR CODES AND HEIGHTS UPDATED	JUN23/20	S.M
D	13 HEIGHT UPDATED	JUN26/20	S.M



NOTES:  
MATERIALS:  
HOUSING: POLYCARBONATE, UL 94- 5V A RATED  
COLOR AS PER PART NUMBERING SYSTEM



PARTIAL SECTION VIEW



HEIGHT

XX	"H"	"Y"
35	35 mm	25.2 mm
50	50 mm	40.2 mm
60	60 mm	50.2 mm
75	75 mm	65.2 mm
10	100 mm	90.2 mm
13	130 mm	120.2 mm

COLOUR

- 1 - GREY
- 2 - CLEAR
- 3 - RED
- 4 - BLACK
- 5 - WHITE
- 6 - TRANSLUCENT

AMPHENOL PART NUMBER: FLS-C80-XXX-000



UNLESS SPECIFIED OTHERWISE	DRAWN	I.NELSON	JUL30/19
PRIMARY UNITS MILLIMETERS	CHECKED	S.MUGAN	AUG19/19
SECONDARY	M.E. APPD		
REFERENCE IN PARENTHESES	Q.A. APPD		
GENERAL TOLERANCES	DWG APPR.		
1 DECIMAL PLACE ± 0.2	ENG. REL. NO.		
2 DECIMAL PLACES	REF.		
3 DECIMAL PLACES	THIRD ANGLE PROJECTION		
ANGULAR DEGREES	DO NOT SCALE DRAWING		

**Amphenol Canada Corp.**  
Commercial Products  
FLS SERIES  
DOME COVER 80 mm DIA  
MULTIPLE HEIGHTS  
RoHS COMPLIANT

DWG. NO. **P-FLS-C80-XXX-000** REV **D**

CODE ID NO. 03554 DWG SIZE: X SCALE: 1:1 SHEET 1 OF 1

THIS DOCUMENT CONTAINS PROPRIETARY INFORMATION AND SUCH INFORMATION MAY NOT BE DISCLOSED TO OTHERS FOR ANY PURPOSE OR USED FOR MANUFACTURING PURPOSES WITHOUT WRITTEN PERMISSION FROM AMPHENOL CANADA CORP.