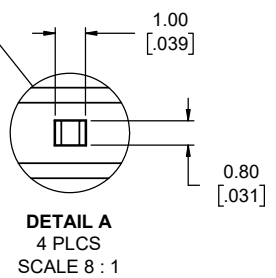
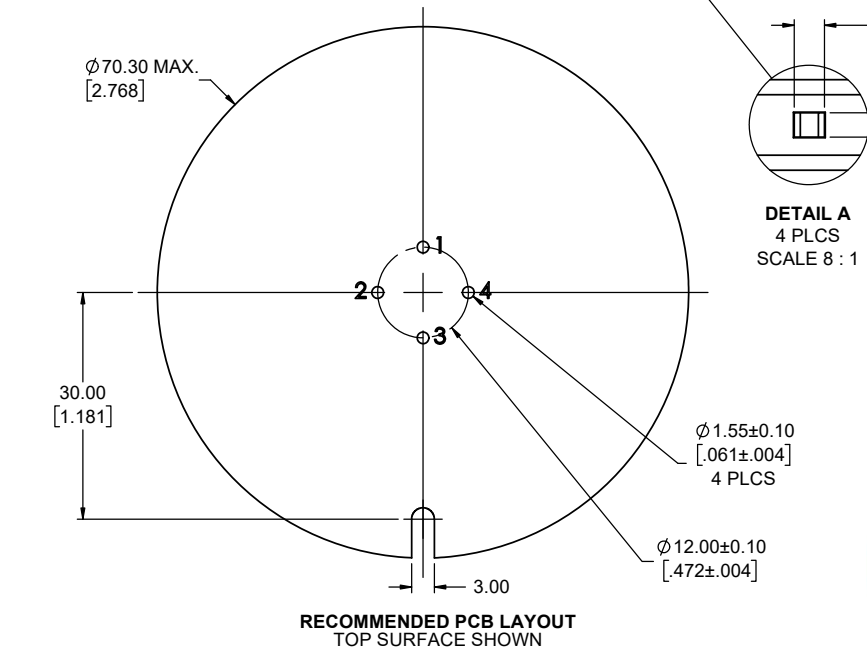
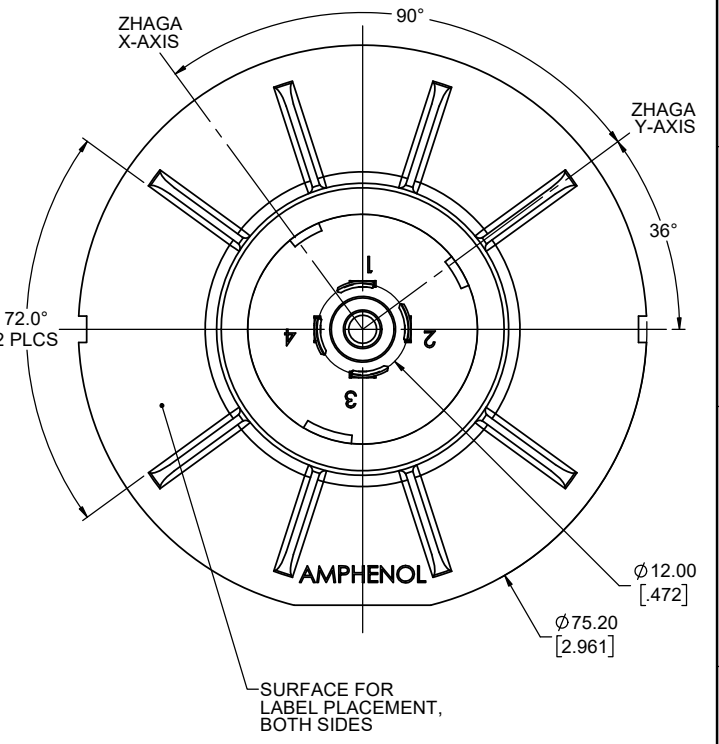
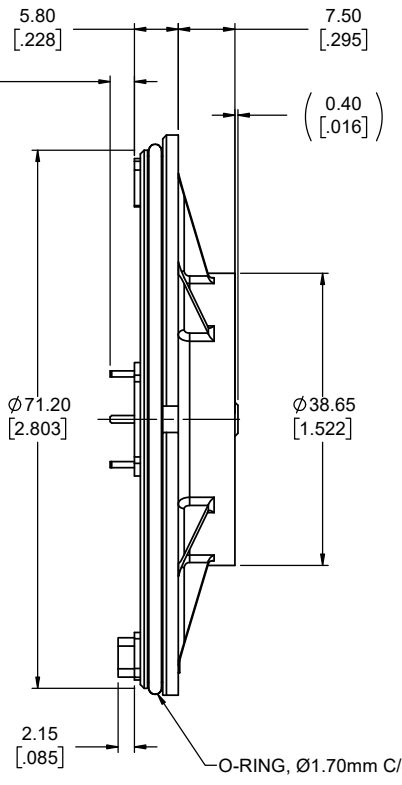
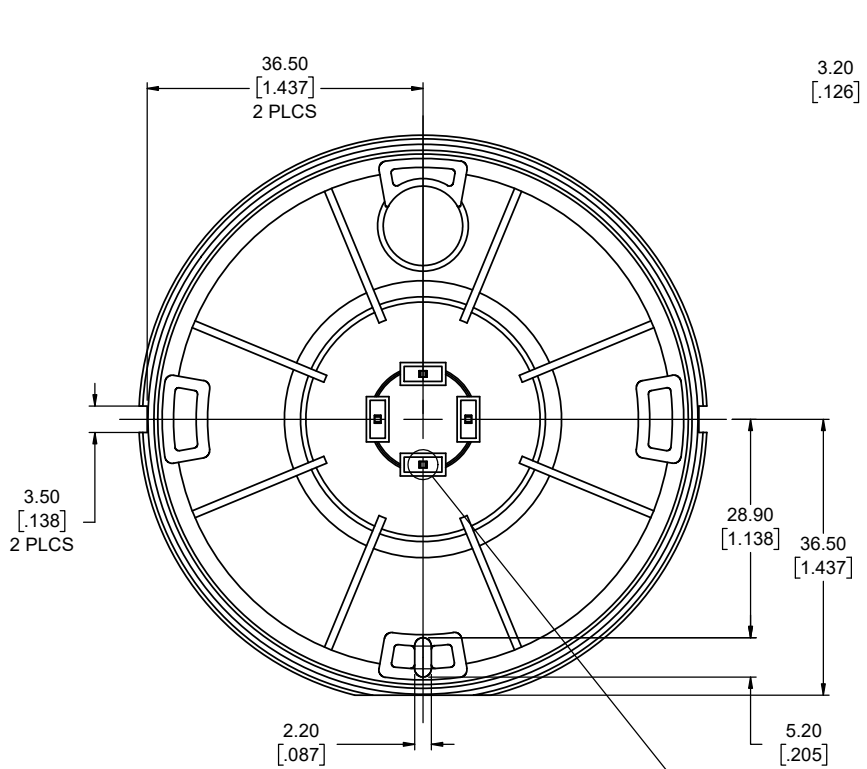


REVISIONS			
REV	DESCRIPTION, ECN, EAR NO.	DATE	APP'D
F	FILLETS ADDED	SEP02/20	S.M
G	PRODUCT DRAWING (EAR 15044)	APR29/22	M.P.



- NOTES:**
- MATERIALS: ALL MATERIALS ARE RoHS COMPLIANT PER EU DIRECTIVE 2011/65/EU & AMENDMENTS.
 - MODULE HOUSING: PBT, COLOUR: BLACK. FLAMMABILITY RATING: UL94 V-0.
 - CONTACTS: COPPER ALLOY, FINISH: MATTE TIN OVER NICKEL.
 - O-RING: SILICONE RUBBER, COLOUR: BLACK. FLAMMABILITY RATING: UL94 V-0.

CONTACT NO.	CONTACT ASSIGNMENT
1	+24 V AUX POWER SUPPLY
2	i. DA- (NEGATIVE POLE FOR DALI PROTOCOL AND POWER) ii. GROUND FOR 24 V AUX POWER SUPPLY
3	DA+ (POSITIVE POLE FOR DALI PROTOCOL AND POWER)
4	NOT CONNECTED

AMPHENOL PART NUMBER: FLS-SB80-01



UNLESS SPECIFIED OTHERWISE	DRAWN	J.KONG	JUL25/18
PRIMARY UNITS MILLIMETERS	CHECKED	S.MUGAN	NOV27/18
SECONDARY INCHES	M.E. APP'D		
REFERENCE IN PARENTHESES	Q.A. APP'D		
GENERAL TOLERANCES	DWG APPR.		
1 DECIMAL PLACE	ENG. REL. NO.		
2 DECIMAL PLACES ±0.2	REF.		
3 DECIMAL PLACES	THIRD ANGLE PROJECTION		
ANGULAR DEGREES ±2°	DO NOT SCALE DRAWING		

Amphenol Canada Corp.
Commercial Products

FLS SERIES, LUMINAIRE EXTENSION MODULE, Ø80mm BASE, Ø1.70mm C/S O-RING, ZHAGA BOOK 18 COMPLIANT, RoHS COMPLIANT

DWG. NO. **P-FLS-SB80-01** REV **G**

CODE ID NO. 03554 DWG SIZE: X SCALE: 2:1 SHEET 1 OF 1