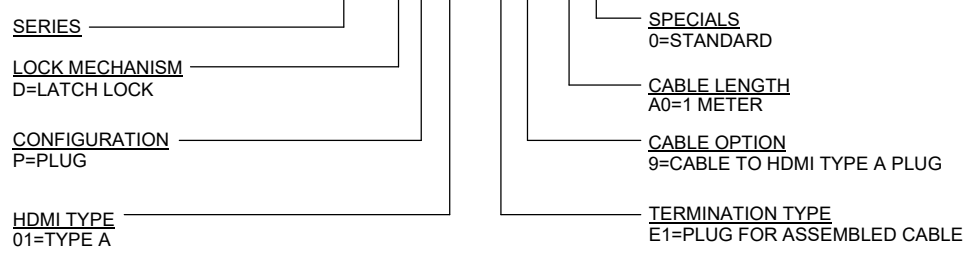


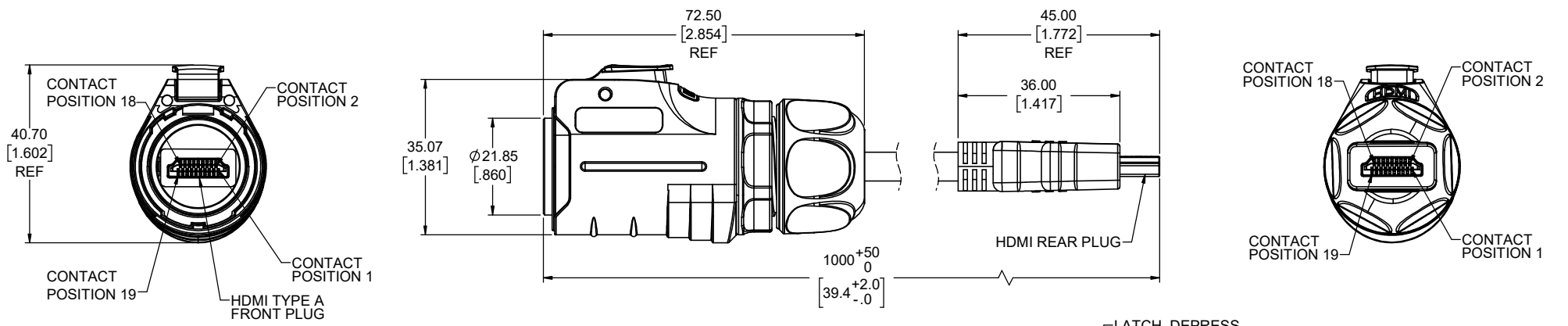
REVISIONS			
REV	DESCRIPTION, ECN, EAR NO.	DATE	APP'D
A	PRODUCT DRAWING (EAR 15387)	DEC22/23	K.L.

ORDERING CODE: MRH-DP01-E19-A00



NOTES:

- ALL MATERIALS TO BE RoHS COMPLIANT PER EU DIRECTIVE 2011/65/EU AND AMENDMENTS.
 - LATCH: ZINC ALLOY PLATED WITH CHROME
 - SPRING: STAINLESS STEEL
 - LOCK PIN: STAINLESS STEEL
 - OUTER HOUSING & CLAMP BODY & END CAP: THERMOPLASTIC PBT, UL FLAMMABILITY RATING 94V-0, BLACK
 - FRONT HOUSING: ZINC ALLOY PLATED WITH CHROME
 - LATCH: ZINC ALLOY PLATED WITH CHROME
 - HDMI HOUSING: THERMOPLASTIC LCP, UL FLAMMABILITY RATING 94V-0
 - HDMI CONTACT: COPPER ALLOY PLATED WITH GOLD OVER NICKEL
 - HDMI SHIELD: COPPER ALLOY PLATED WITH NICKEL
 - GASKET & GROMMET & O-RING: SILICONE RUBBER
 - OVER-MOLDING: PVC, BLACK
 - CABLE: HIGH SPEED HDMI CABLE WITH ETHERNET AWM 20276
- ELECTRICAL CHARACTERISTICS:
 - CURRENT RATING: 0.5A
 - OPERATING VOLTAGE: 30V AC MAXIMUM
 - DIELECTRIC WITHSTANDING VOLTAGE: 300V AC
 - CONTACT RESISTANCE: 30.0mΩ MAXIMUM
- ENVIRONMENTAL PROTECTION: IP67 PER IEC 60529 IN MATED CONDITION.
- LATCH LOCK FRONT PLUG MATES WITH AMPHENOL MRH SERIES RECEPTACLES MRH-DR01-XXX-XXX
- CONSULT WITH AMPHENOL FOR OTHER CABLE ASSEMBLY LENGTHS.



FRONT PLUG TO REAR PLUG CONNECTION CHART

FRONT PLUG POSITION #	REAR PLUG POSITION #
1	1
2	2
3	3
4	4
...	...
19	19
SHELL	SHELL



UNLESS SPECIFIED OTHERWISE	DRAWN ED.LIU	NOV22/23
PRIMARY UNITS MILLIMETERS	CHECKED E.QU	NOV30/23
SECONDARY INCHES	M.E. APP'D	
REFERENCE IN PARENTHESES	Q.A. APP'D	
GENERAL TOLERANCES	DWG APPR. K.LAMBIE	DEC22/23
1 DECIMAL PLACE	ENG. REL. NO. EAR 15387	
2 DECIMAL PLACES ±0.25	REF.	
3 DECIMAL PLACES	THIRD ANGLE PROJECTION	DO NOT SCALE DRAWING
ANGULAR DEGREES		

Amphenol Canada Corp.
Commercial Products

MRH SERIES RUGGED CABLE ASSEMBLY,
HDMI TYPE A PLUG, LATCH LOCK,
CABLE LENGTH 1M, IP67 RATING,
RoHS COMPLIANT

DWG. NO. **P-MRH-DP01-E19-A00** REV **A**

CODE ID NO. 03554 DWG SIZE: X SCALE: 1:1 SHEET 1 OF 1