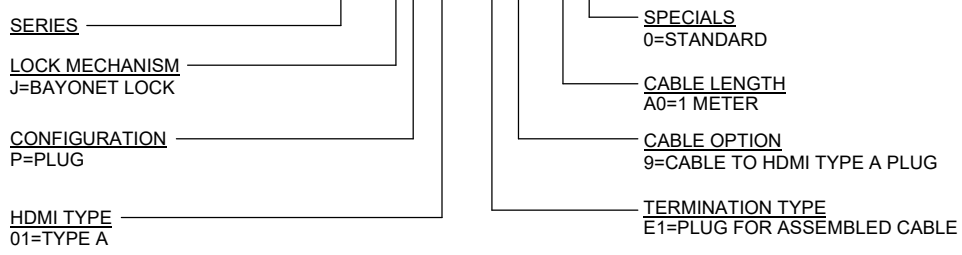


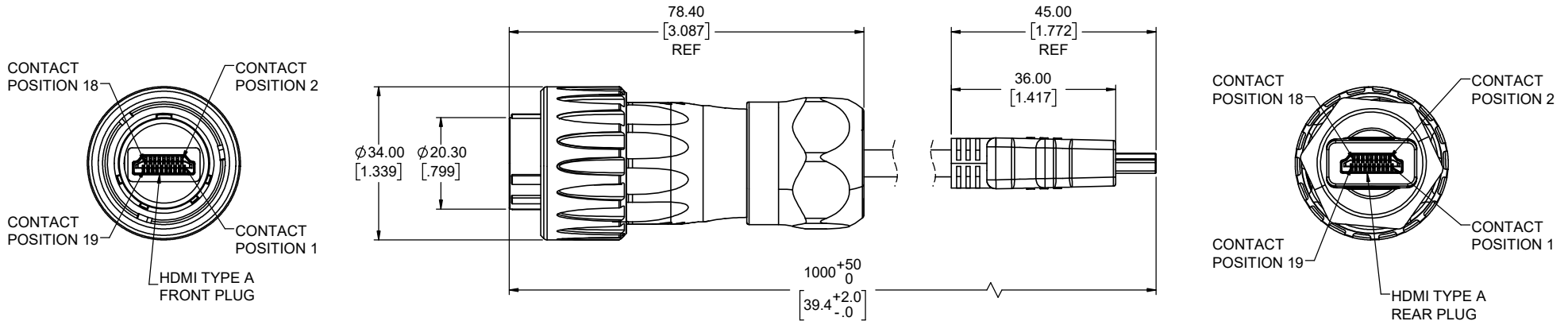
REVISIONS			
REV	DESCRIPTION, ECN, EAR NO.	DATE	APP'D
A	PRODUCT DRAWING (EAR 15387)	DEC22/23	K.L.

ORDERING CODE: MRH-JP01-E19-A00



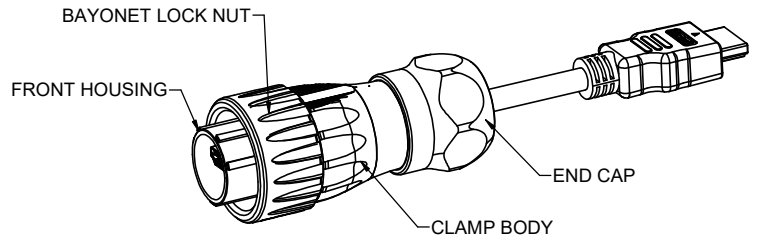
NOTES:

- ALL MATERIALS TO BE RoHS COMPLIANT PER EU DIRECTIVE 2011/65/EU AND AMENDMENTS.
 - BAYONET LOCK NUT & FRONT HOUSING: ZINC ALLOY PLATED WITH CHROME
 - CLAMP BODY & END CAP: ALUMINUM ALLOY
 - GROMMET & O-RING & GASKET: SILICONE RUBBER
 - CONNECTOR HOLDER: THERMOPLASTIC PBT, UL FLAMMABILITY RATING 94V-0, BLACK
 - HDMI CONTACT: COPPER ALLOY PLATED WITH GOLD OVER NICKEL
 - HDMI SHIELD: COPPER ALLOY PLATED WITH NICKEL
 - HDMI HOUSING: THERMOPLASTIC LCP, UL FLAMMABILITY RATING 94V-0
 - OVER-MOLDING: PVC, BLACK
 - CABLE: HDMI CABLE UL AWM 20276 80 °C 30V VW-1
- ELECTRICAL CHARACTERISTICS:
 - CURRENT RATING: 0.5A
 - OPERATING VOLTAGE: 5VAC
 - CONTACT RESISTANCE: 30mΩ MAX
 - DIELECTRIC WITHSTANDING VOLTAGE: 300VAC
- ENVIRONMENTAL PROTECTION: IP67 PER IEC 60529 IN MATED CONDITION.
- CONSULT WITH AMPHENOL FOR OTHER CABLE ASSEMBLY LENGTHS.
- METAL BAYONET LOCK FRONT PLUG MATES WITH AMPHENOL MRH SERIES RECEPTACLES MRH-JR01-XXX-XXX



FRONT PLUG TO REAR PLUG CONNECTION CHART

FRONT PLUG POSITION #	REAR PLUG POSITION #
1	1
2	2
3	3
4	4
...	...
19	19
SHELL	SHELL



UNLESS SPECIFIED OTHERWISE	DRAWN ED.LIU	NOV22/23
PRIMARY UNITS MILLIMETERS	CHECKED E.QU	NOV30/23
SECONDARY UNITS INCHES	M.E. APP'D	
REFERENCE IN PARENTHESES	Q.A. APP'D	
GENERAL TOLERANCES	DWG APPR. K.LAMBIE	DEC22/23
1 DECIMAL PLACE	ENG. REL. NO. EAR 15387	
2 DECIMAL PLACES ±0.25	REF.	
3 DECIMAL PLACES	THIRD ANGLE PROJECTION	DO NOT SCALE DRAWING
ANGULAR DEGREES		

Amphenol Canada Corp.
 Commercial Products

MRH SERIES RUGGED CABLE ASSEMBLY,
 HDMI TYPE A PLUG, BAYONET LOCK,
 CABLE LENGTH 1M, IP67 RATING,
 RoHS COMPLIANT

DWG. NO. **P-MRH-JP01-E19-A00** REV **A**

CODE ID NO. 03554 DWG SIZE: X SCALE: 1:1 SHEET 1 OF 1