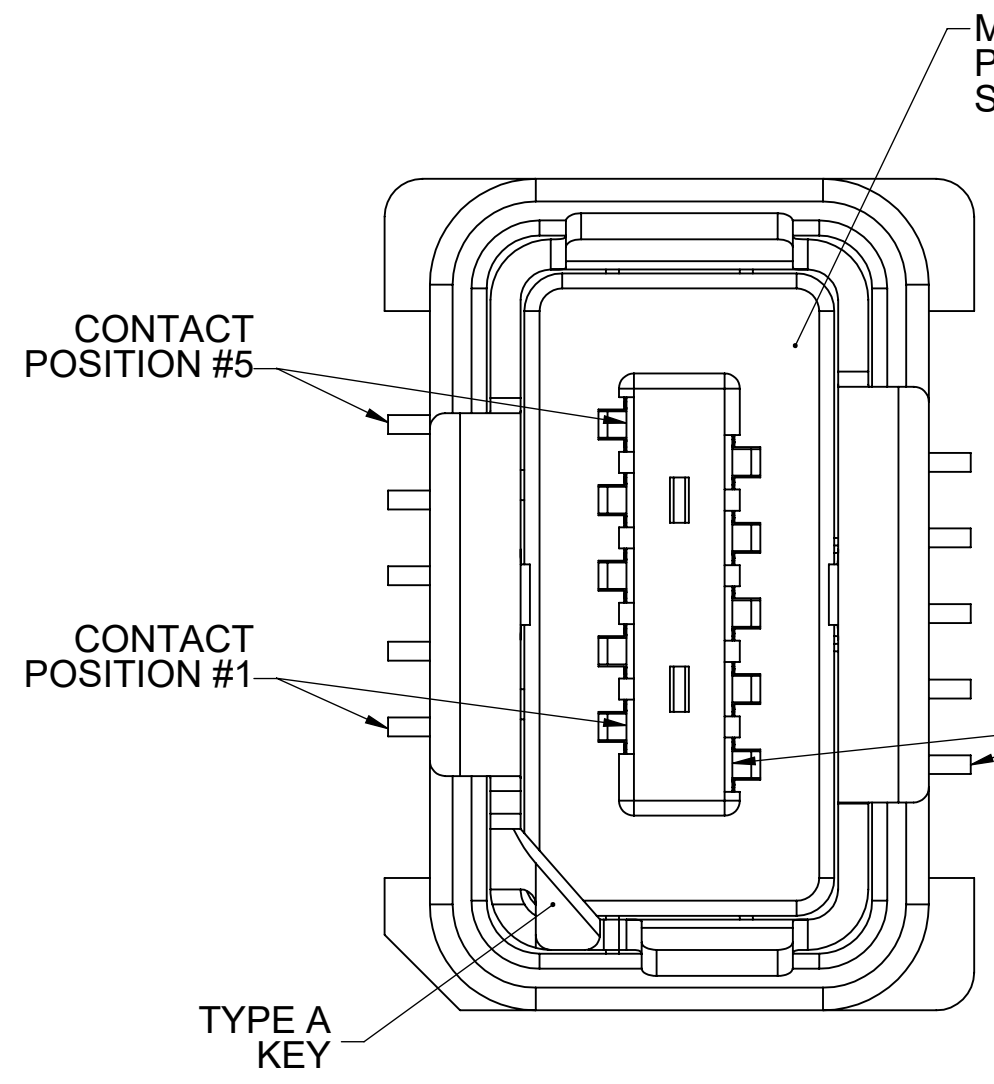
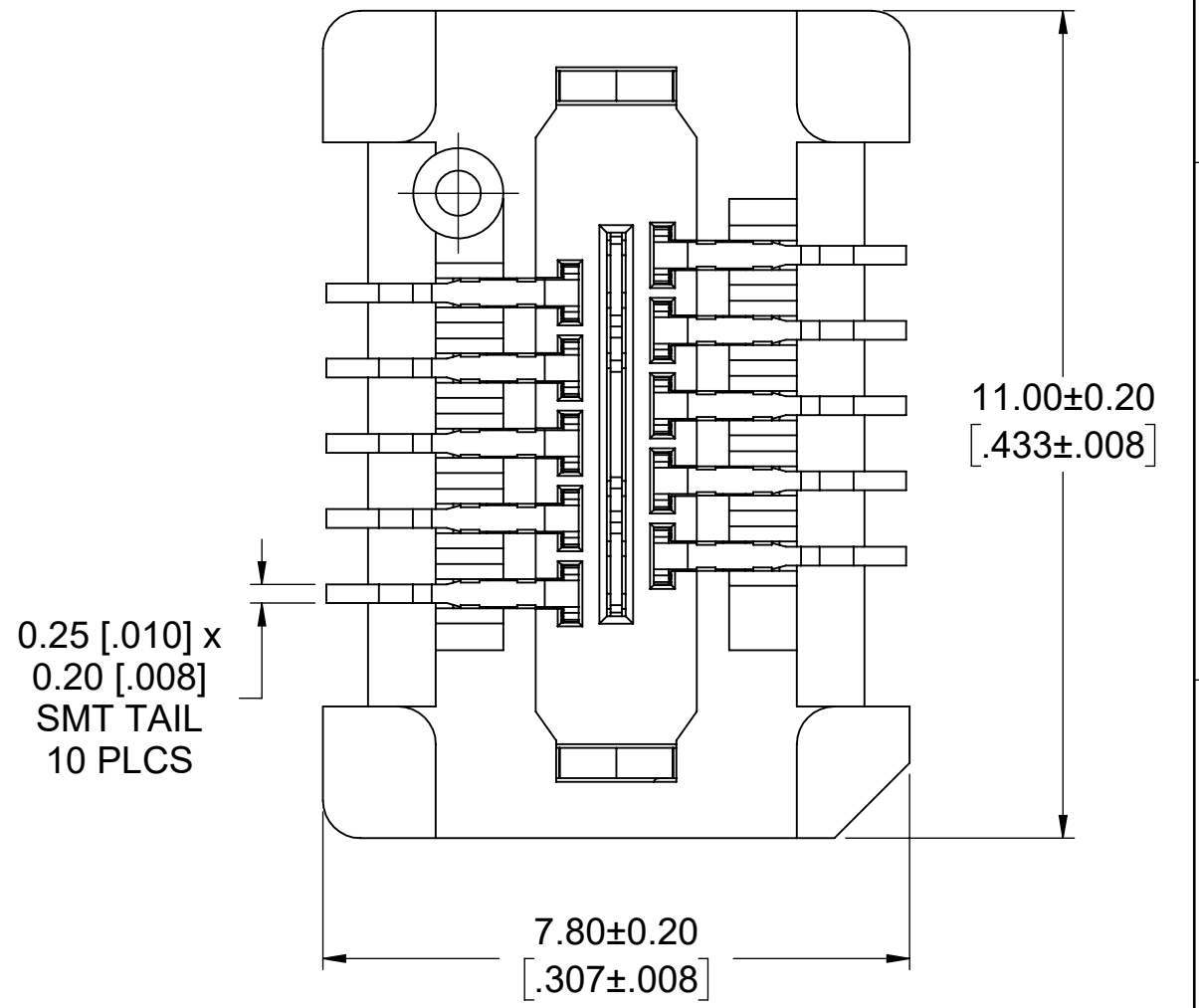
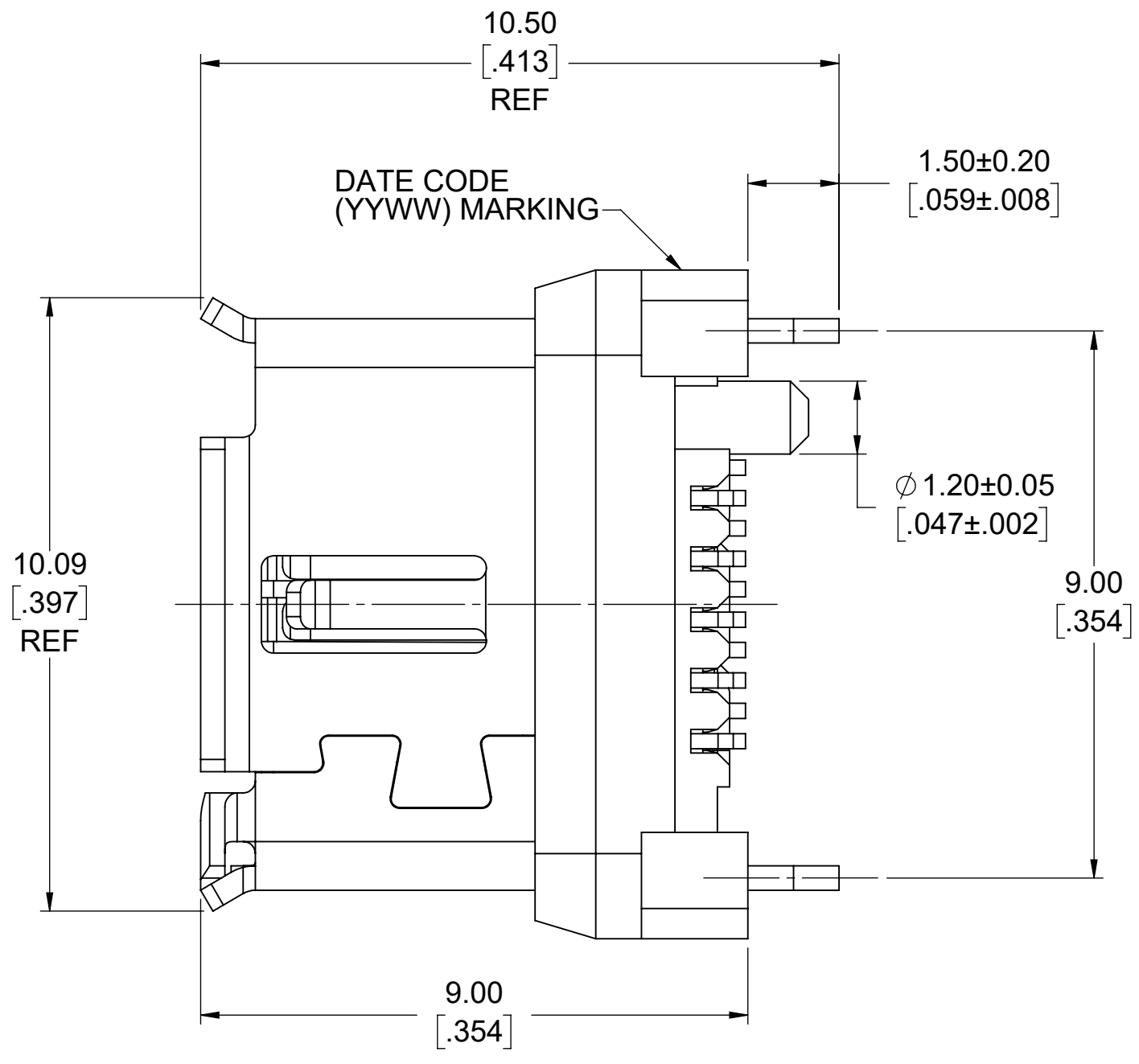


REVISIONS				
REV	DESCRIPTION	DATE	GUARDIAN	APPROVED
-	-	-	-	-
G	ECN-C00201-1	NOV15/23	B. COPPING	K. LAMBIE

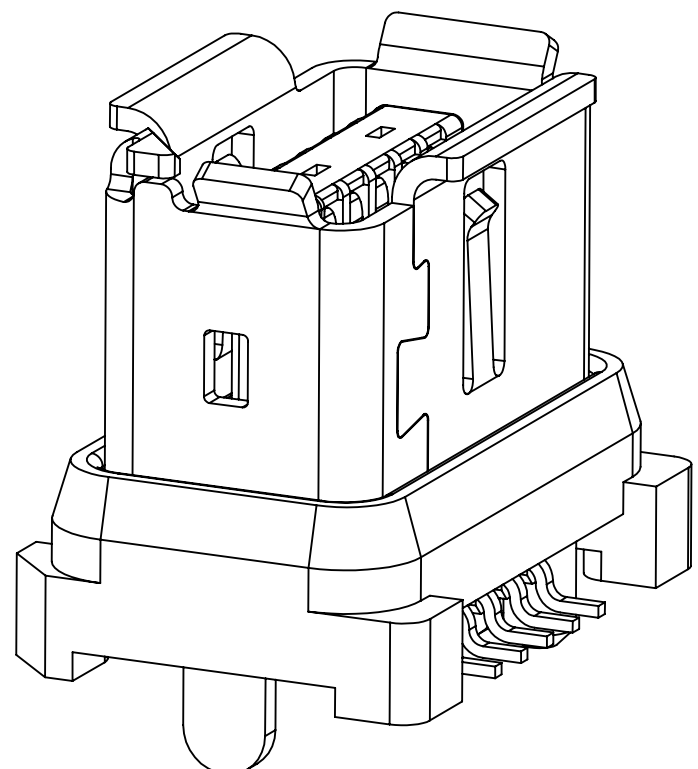
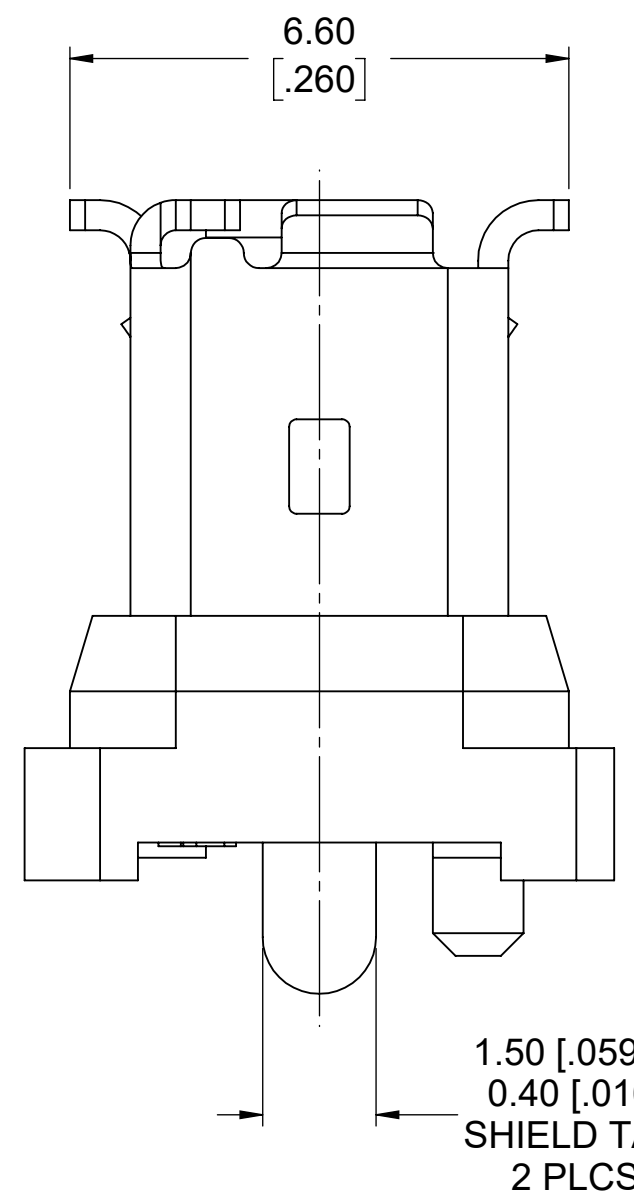


MATING INTERFACE PER IEC 61076-3-124 SPECIFICATION



**ORDERING CODE: ND9 - AS2X - 00**

- SERIES, IX INDUSTRIAL ETHERNET
- TYPE A KEY FOR ETHERNET
- SOCKET / RECEPTACLE
- VERTICAL
- PLATING FOR MATING AREA
  - 1 = GOLD FLASH
  - 2 = 0.20µm (8µ") GOLD
  - 3 = 0.76µm (30µ") GOLD
  - 4 = 1.27µm (50µ") GOLD
  - 7 = 0.76µm (30µ") PALLADIUM NICKEL WITH GOLD FLASH
- STANDARD



**NOTES:**

1. MATERIAL: RoHS COMPLIANT PER EU DIRECTIVE 2011/65/EU AND AMENDMENTS.
  - SHIELD: STAINLESS STEEL, MATTE TIN OVER NICKEL PLATED.
  - INSERTS: HIGH TEMPERATURE RESISTANT ENGINEERING THERMOPLASTIC, GLASS REINFORCED, UL94V-0, BLACK
  - CONTACTS: COPPER ALLOY PLATED WITH GOLD OR PALLADIUM-NICKEL (SEE ORDERING CODE) OVER 1.27µm (50µ") MINIMUM NICKEL ON THE MATING AREA AND MATTE TIN ON THE SMT TAILS
  - MID-PLATE: STAINLESS STEEL, NICKEL PLATED
2. CONNECTORS ARE PROVIDED IN TAPE & REEL PACKAGING FOR PICK & PLACE PROCESSING AND ARE SUITABLE FOR IR REFLOW SOLDERING OF PIN IN PASTE SHIELD TAILS AND SURFACE MOUNT CONTACT TAILS.
3. DESIGNED TO CONFORM TO REQUIREMENTS OF IEC 61076 PART 3-124 SPECIFICATION. THE TYPE A KEY FEATURE SHOWN IS INTENDED FOR USE WITH ETHERNET APPLICATIONS, EITHER 10/100 MBit/S OR 1 TO 10 GBit/S (CAT 5e, 6 & 6A).
4. CURRENT RATING: 1.5 AMPERES, VOLTAGE RATING: 50V AC rms OR 60V DC
5. OPERATING TEMPERATURE -55° TO +105°C.
6. DIELECTRIC WITHSTANDING VOLTAGE: 500V DC
7. CONTACT RESISTANCE: 30 MILLIOHMS MAXIMUM.
8. INSULATION RESISTANCE: 500 MEGOHMS MINIMUM.
9. MATING & UNMATING FORCE: 25N (5.6 lbf) MAXIMUM.



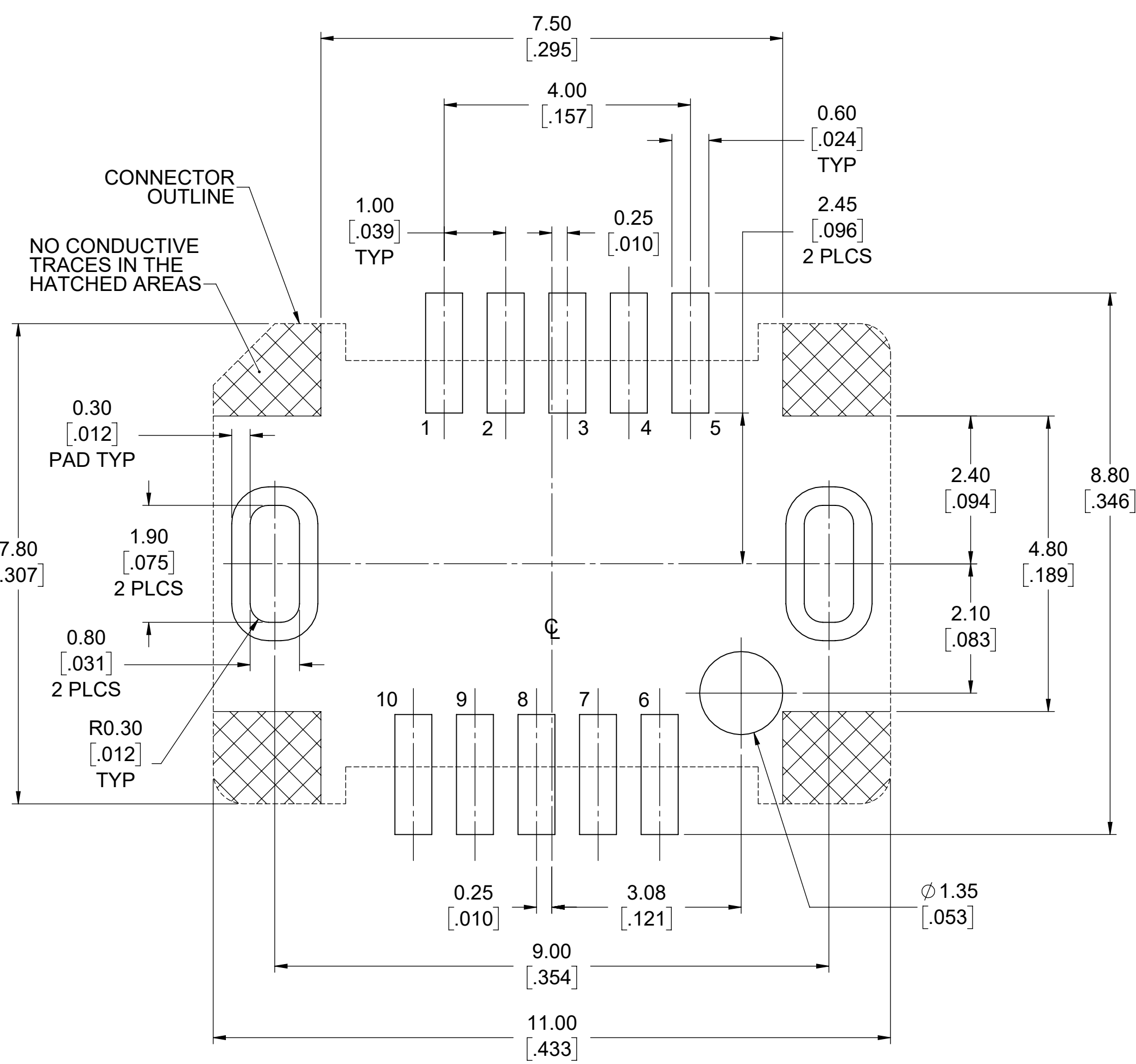
UNLESS SPECIFIED OTHERWISE	DRAWN	B. COPPING	MAR14/19
PRIMARY UNITS MILLIMETRES	CHECKED	K. LAMBIE	MAR14/19
SECONDARY INCHES	M.E. APP'D		
REFERENCE IN PARENTHESES	Q.A. APP'D		
GENERAL TOLERANCES	DWG APP'D		
1 DECIMAL PLACE	ENG NO. EAR 14720		
2 DECIMAL PLACES ±0.15	RELEASE STATE <b>RELEASED</b>		
3 DECIMAL PLACES	THIRD ANGLE PROJECTION		
ANGULAR DEGREES	DO NOT SCALE DRAWING		

**Amphenol Canada Corp.**  
 Commercial Products  
 IX INDUSTRIAL CONNECTOR, 10 POSITION VERTICAL SMT TERMINATION, CAT 6A HIGH SPEED PERFORMANCE, TYPE A KEY, RoHS COMPLIANT

DWG. NO. **P-ND9-AS2X-00** REV **G**

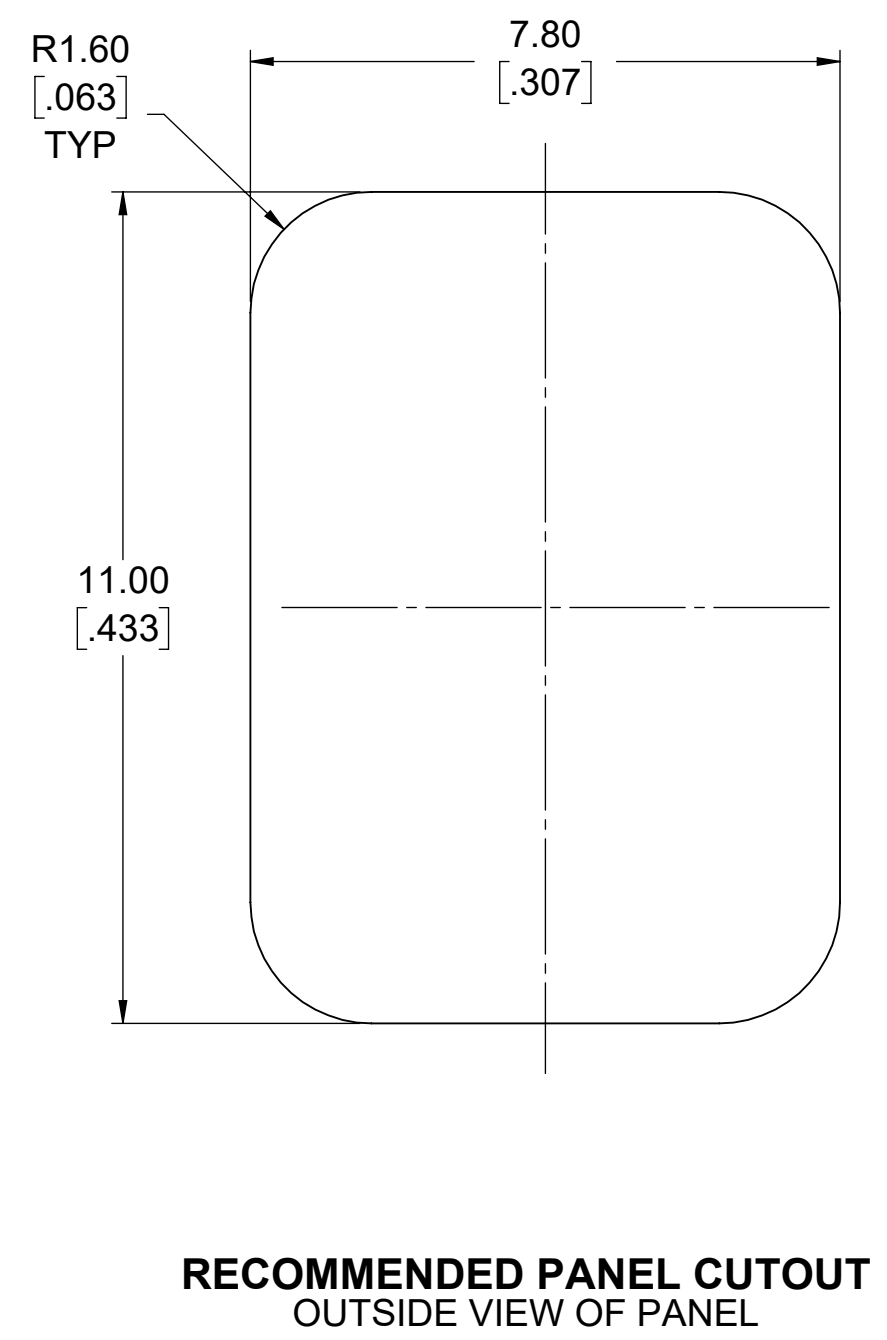
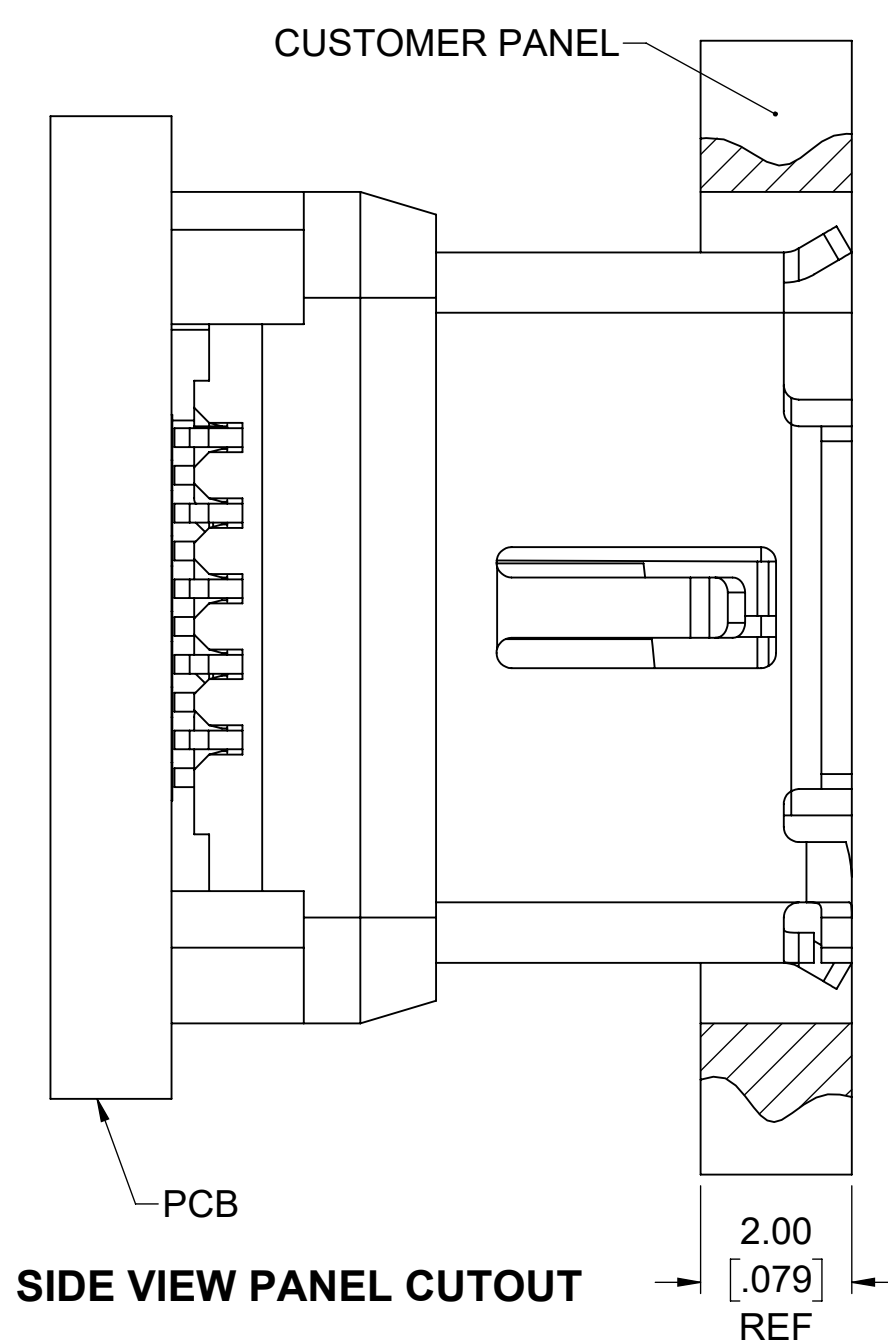
CODE ID NO. 03554 DWG SIZE: C SCALE: 10:1 SHEET 1 OF 3

REVISIONS				
REV	DESCRIPTION	DATE	GUARDIAN	APPROVED
-	-	-	-	-
G	ECN-C00201-1	NOV15/23	B. COPPING	K. LAMBIE



**RECOMMENDED PCB LAYOUT**  
COMPONENT SIDE OF BOARD  
SCALE 15:1  
GENERAL TOLERANCE ±0.05mm  
FOR THIS VIEW

LOCATE HOLES & PADS  
⊕ 0.13 [.005] DIA  
POSITION DIMENSIONS  
ARE BASIC



CONNECTOR PIN ASSIGNMENT		
POSITION NUMBER	PIN ASSIGNMENT 10 OR 100 MBit/S ETHERNET	PIN ASSIGNMENT 1, 2.5, 5 OR 10 GBit/S ETHERNET
1	TX +	BI_DA +
2	TX -	BI_DA -
3	NOT USED	GND
4	NOT USED	BI_DC +
5	NOT USED	BI_DC -
6	RX +	BI_DB +
7	RX -	BI_DB -
8	NOT USED	GND
9	NOT USED	BI_DD +
10	NOT USED	BI_DD -

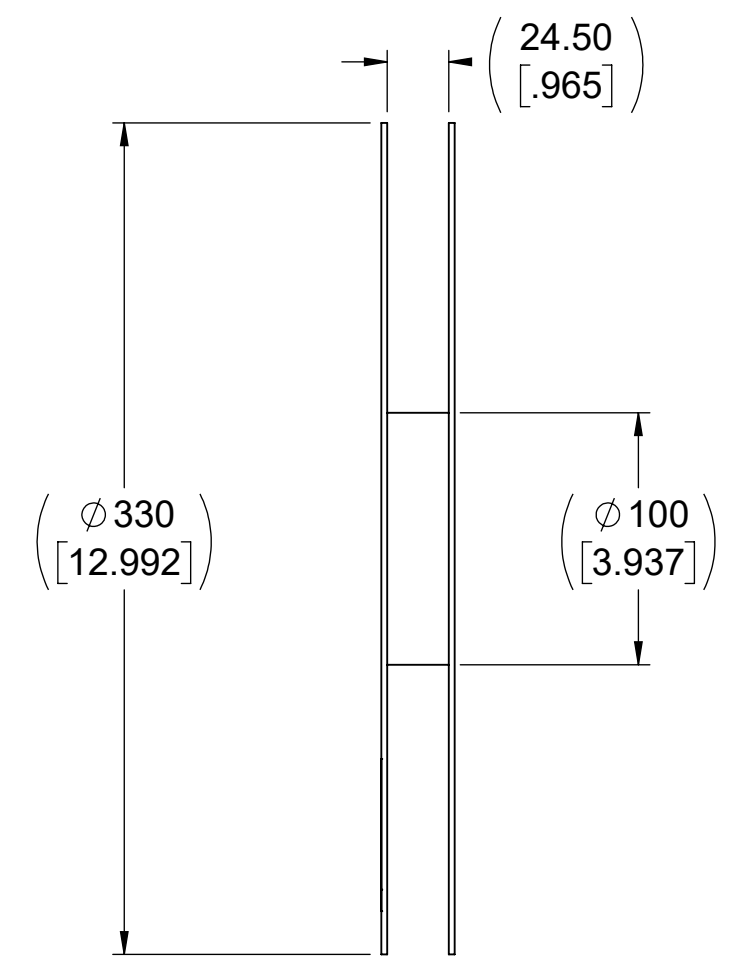
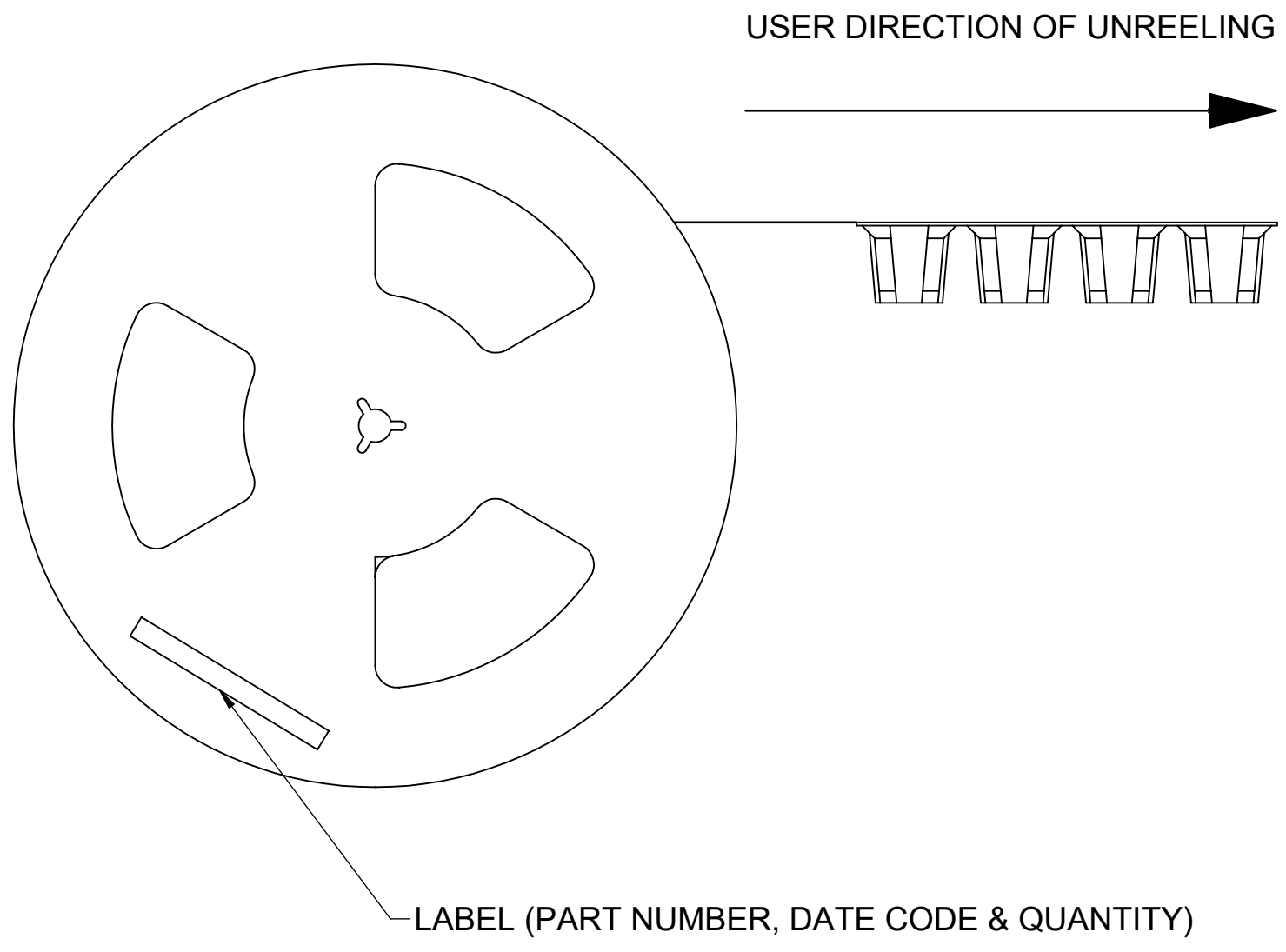
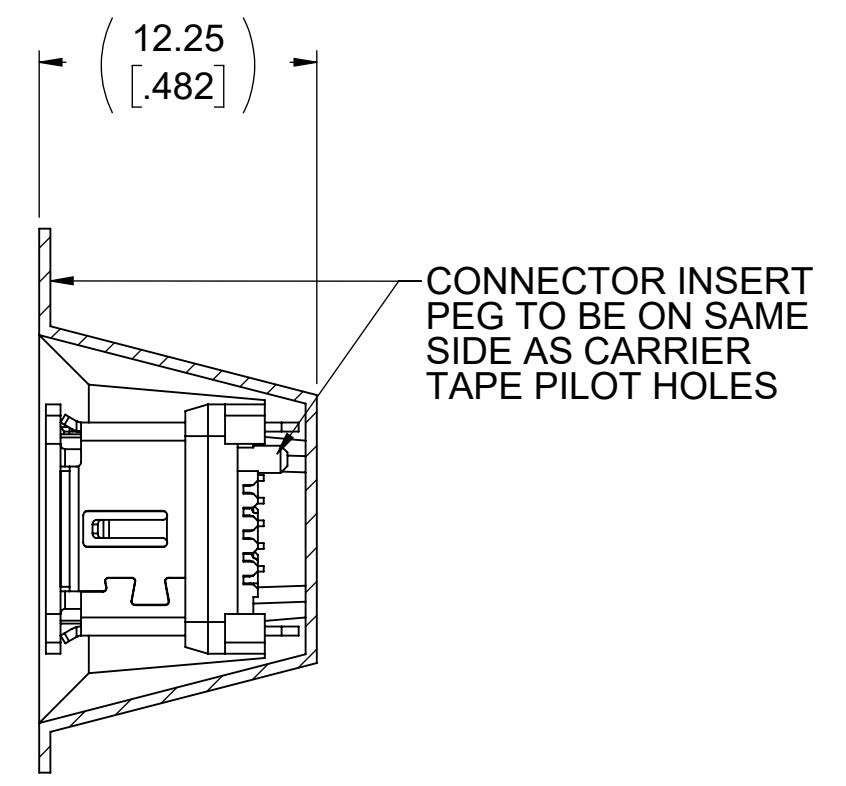
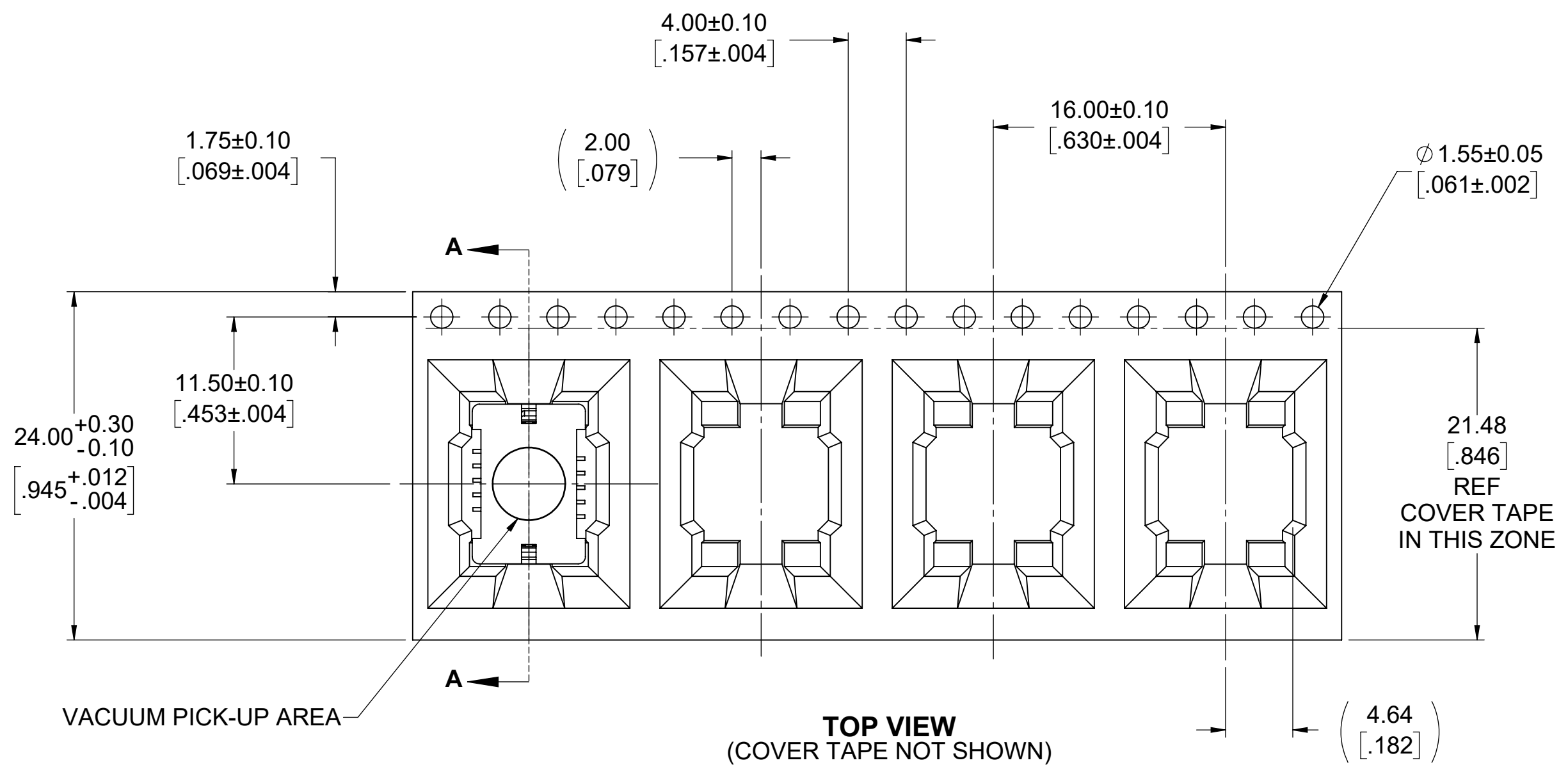
UNLESS SPECIFIED OTHERWISE	DRAWN B. COPPING	MAR14/19
PRIMARY UNITS MILLIMETRES	CHECKED K. LAMBIE	MAR14/19
SECONDARY INCHES	M.E. APP'D	
REFERENCE IN PARENTHESES	Q.A. APP'D	
GENERAL TOLERANCES	DWG APP'D	
1 DECIMAL PLACE	ENG NO. EAR 14720	
2 DECIMAL PLACES ±0.15	RELEASE STATE RELEASED	
3 DECIMAL PLACES	THIRD ANGLE PROJECTION	DO NOT SCALE DRAWING
ANGULAR DEGREES		

**Amphenol Canada Corp.**  
Commercial Products  
IX INDUSTRIAL CONNECTOR, 10  
POSITION VERTICAL SMT TERMINATION,  
CAT 6A HIGH SPEED PERFORMANCE,  
TYPE A KEY, RoHS COMPLIANT

DWG. NO. P-ND9-AS2X-00  
REV G

CODE ID NO. 03554 DWG SIZE: C SCALE: 10:1 SHEET 2 OF 3

REVISIONS				
REV	DESCRIPTION	DATE	GUARDIAN	APPROVED
-	-	-	-	-
G	ECN-C00201-1	NOV15/23	B. COPPING	K. LAMBIE



**PACKAGING NOTES:**

- EACH REEL TO CONTAIN A QUANTITY OF 350 CONNECTORS
- EACH FULL CARTON TO CONTAIN A QUANTITY OF 9 REELS FOR A TOTAL OF 3150 CONNECTORS.

THIS DOCUMENT CONTAINS PROPRIETARY INFORMATION AND SUCH INFORMATION MAY NOT BE DISCLOSED TO OTHERS FOR ANY PURPOSE OR USED FOR MANUFACTURING PURPOSES WITHOUT WRITTEN PERMISSION FROM AMPHENOL CANADA CORP.

UNLESS SPECIFIED OTHERWISE	DRAWN	B. COPPING	MAR14/19
PRIMARY UNITS MILLIMETRES	CHECKED	K. LAMBIE	MAR14/19
SECONDARY INCHES	M.E. APP'D		
REFERENCE IN PARENTHESES	Q.A. APP'D		
GENERAL TOLERANCES	DWG APP'D		
1 DECIMAL PLACE	ENG. NO.	EAR 14720	
2 DECIMAL PLACES ±0.15	RELEASE STATE	RELEASED	
3 DECIMAL PLACES	THIRD ANGLE PROJECTION	DO NOT SCALE DRAWING	
ANGULAR DEGREES			

**Amphenol Canada Corp.**  
Commercial Products

**IX INDUSTRIAL CONNECTOR, 10 POSITION VERTICAL SMT TERMINATION, CAT 6A HIGH SPEED PERFORMANCE, TYPE A KEY, RoHS COMPLIANT**

DWG. NO. **P-ND9-AS2X-00** REV **G**

CODE ID NO. 03554 DWG SIZE: C SCALE: 3:1 SHEET 3 OF 3