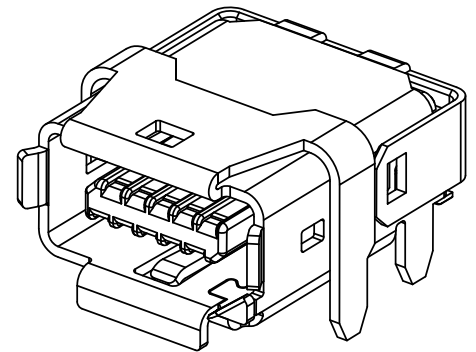


REVISIONS			
REV	DESCRIPTION, ECN, EAR NO.	DATE	APP'D
B	PRODUCT DRAWING (EAR 14811)	JUN12/20	M.P.
C	PRODUCT DRAWING (EAR 14811)	JUL24/20	M.P.



**ORDERING CODE: ND9-AS3X-00**

SERIES, IX INDUSTRIAL  
 TYPE A KEY FOR ETHERNET  
 SOCKET / RECEPTACLE  
 RIGHT ANGLE

STANDARD  
 PLATING FOR MATING AREA  
 2 = 0.2µm (8µ") GOLD  
 7 = 0.76µm (30µ") PALLADIUM NICKEL WITH GOLD FLASH

- NOTES:**
- MATERIAL: RoHS COMPLIANT PER EU DIRECTIVE 2011/65/EU AND AMENDMENTS.
    - SHIELD: STAINLESS STEEL, MATTE TIN OVER NICKEL PLATED.
    - INSERTS: HIGH TEMPERATURE RESISTANT ENGINEERING THERMOPLASTIC, GLASS REINFORCED, UL94V-0, GRAY.
    - CONTACTS: COPPER ALLOY PLATED WITH GOLD OR PALLADIUM-NICKEL (SEE ORDERING CODE) OVER 1.27µm (50µ") MINIMUM NICKEL ON THE MATING AREA AND GOLD FLASH ON THE SMT TAILS.
  - CONNECTORS ARE PROVIDED IN TAPE & REEL PACKAGING FOR PICK & PLACE PROCESSING AND ARE SUITABLE FOR IR REFLOW SOLDERING OF PIN IN PASTE SHIELD TAILS AND SURFACE MOUNT CONTACT TAILS.
  - DESIGNED TO CONFORM TO REQUIREMENTS OF IEC 61076 PART 3-124 SPECIFICATION. THE TYPE A KEY FEATURE SHOWN IS INTENDED FOR USE WITH ETHERNET APPLICATIONS, EITHER 10/100 Mbit/S OR 1 TO 10 Gbit/S (CAT 5e, 6 & 6A).
  - CURRENT RATING: 1.5 AMPERES, VOLTAGE RATING: 50V AC rms OR 60V DC
  - OPERATING TEMPERATURE -55° TO +85°C.
  - DIELECTRIC WITHSTANDING VOLTAGE: 500V DC
  - CONTACT RESISTANCE: 30 MILLIOHMS MAXIMUM.
  - INSULATION RESISTANCE: 500 MEGOHMS MINIMUM.
  - MATING & UNMATING FORCE: 25N (5.6 lbf) MAXIMUM.



UNLESS SPECIFIED OTHERWISE	DRAWN	J.BRAR	MAR06/20
PRIMARY UNITS MILLIMETERS	CHECKED	K.LAMBIE	MAR13/20
SECONDARY INCHES	M.E. APP'D		
REFERENCE IN PARENTHESES	Q.A. APP'D		
GENERAL TOLERANCES	DWG APPR.		
1 DECIMAL PLACE	ENG. REL. NO.	EAR 14811	
2 DECIMAL PLACES	REF.		
3 DECIMAL PLACES	THIRD ANGLE PROJECTION		
ANGULAR DEGREES	DO NOT SCALE DRAWING		

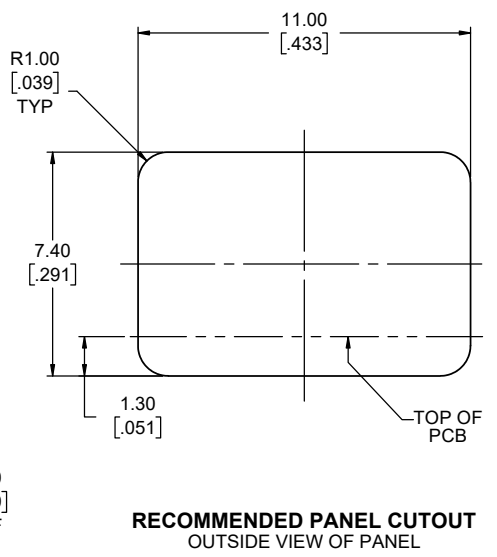
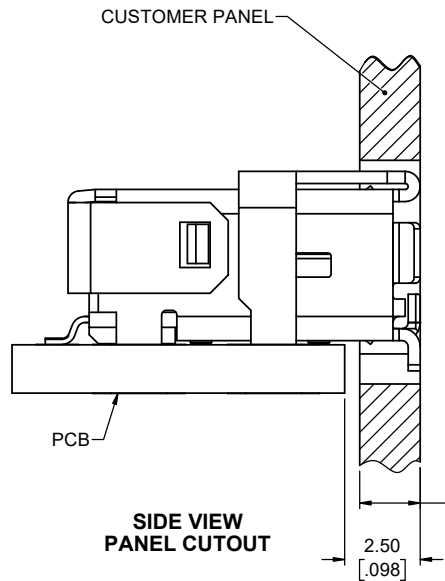
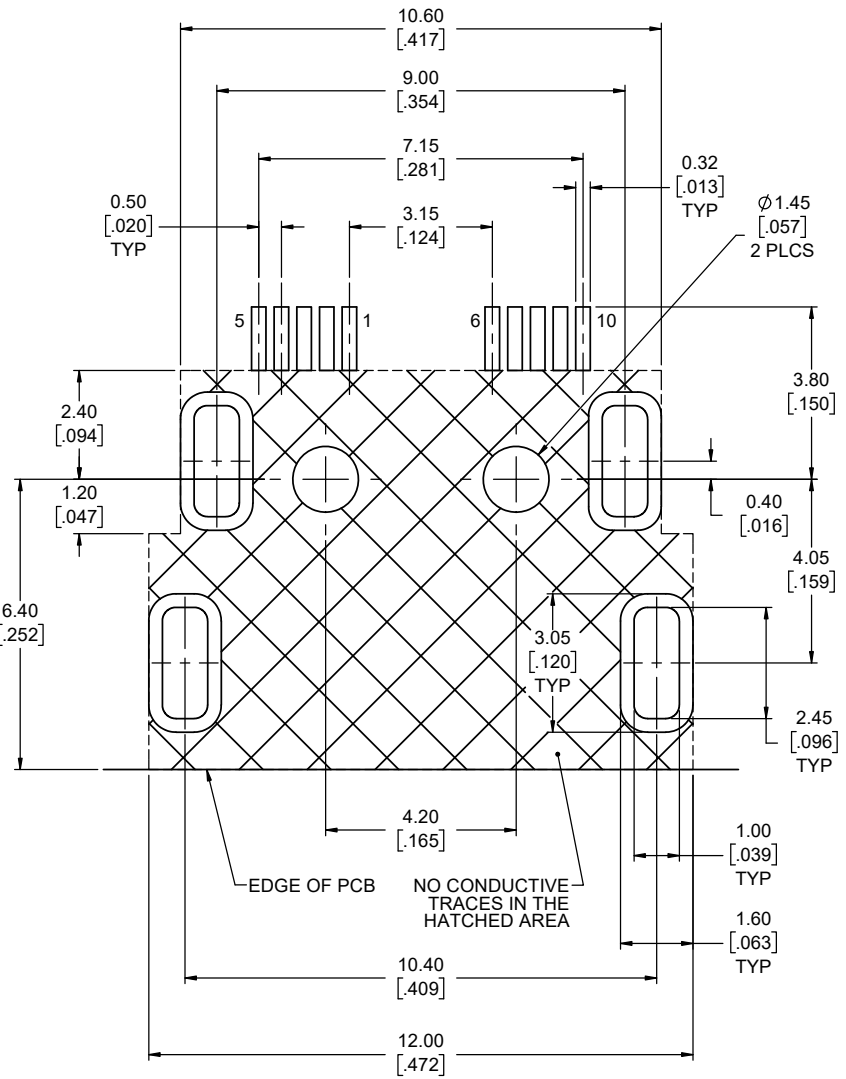
**Amphenol Canada Corp.**  
 Commercial Products

**IX INDUSTRIAL CONNECTOR, 10 POSITION TYPE A RIGHT ANGLE HORIZONTAL STYLE, SMT TERMINATION, CAT 6A HIGH SPEED PERFORMANCE, RoHS COMPLIANT**

**P-ND9-AS3X-00**

CODE ID NO. 03554 DWG SIZE: C SCALE: 10:1 SHEET 1 OF 2

REVISIONS			
REV	DESCRIPTION, ECN, EAR NO.	DATE	APP'D
B	PRODUCT DRAWING (EAR 14811)	JUN12/20	M.P.
C	PRODUCT DRAWING (EAR 14811)	JUL24/20	M.P.



LOCATE HOLES  
 $\varnothing 0.13 [0.005]$  DIA  
 POSITION DIMENSIONS  
 ARE BASIC

**RECOMMENDED PCB LAYOUT**  
 COMPONENT SIDE OF BOARD  
 SCALE 15:1  
 GENERAL TOLERANCE  $\pm 0.05$ mm  
 FOR THIS VIEW

CONNECTOR PIN ASSIGNMENT		
POSITION NUMBER	PIN ASSIGNMENT 10 OR 100 MBIT/S ETHERNET	PIN ASSIGNMENT 1, 2.5, 5 OR 10 GBIT/S ETHERNET
1	TX +	BI_DA +
2	TX -	BI_DA -
3	NOT USED	GND
4	NOT USED	BI_DC +
5	NOT USED	BI_DC -
6	RX +	BI_DB +
7	RX -	BI_DB -
8	NOT USED	GND
9	NOT USED	BI_DD +
10	NOT USED	BI_DD -



UNLESS SPECIFIED OTHERWISE	DRAWN	J.BRAR	MAR06/20
PRIMARY UNITS MILLIMETERS	CHECKED	K.LAMBIE	MAR13/20
SECONDARY INCHES	M.E. APP'D		
REFERENCE IN PARENTHESES	Q.A. APP'D		
GENERAL TOLERANCES	DWG APPR.		
1 DECIMAL PLACE	ENG. REL. NO.	EAR 14811	
2 DECIMAL PLACES	REF.		
3 DECIMAL PLACES	THIRD ANGLE PROJECTION		
ANGULAR DEGREES	DO NOT SCALE DRAWING		

**Amphenol Canada Corp.**  
 Commercial Products

**IX INDUSTRIAL CONNECTOR, 10 POSITION**  
 TYPE A RIGHT ANGLE HORIZONTAL STYLE,  
 SMT TERMINATION, CAT 6A HIGH SPEED  
 PERFORMANCE, RoHS COMPLIANT

DWG. NO. **P-ND9-AS3X-00** REV **C**

CODE ID NO. 03554 DWG SIZE: C SCALE: 8:1 SHEET 2 OF 2