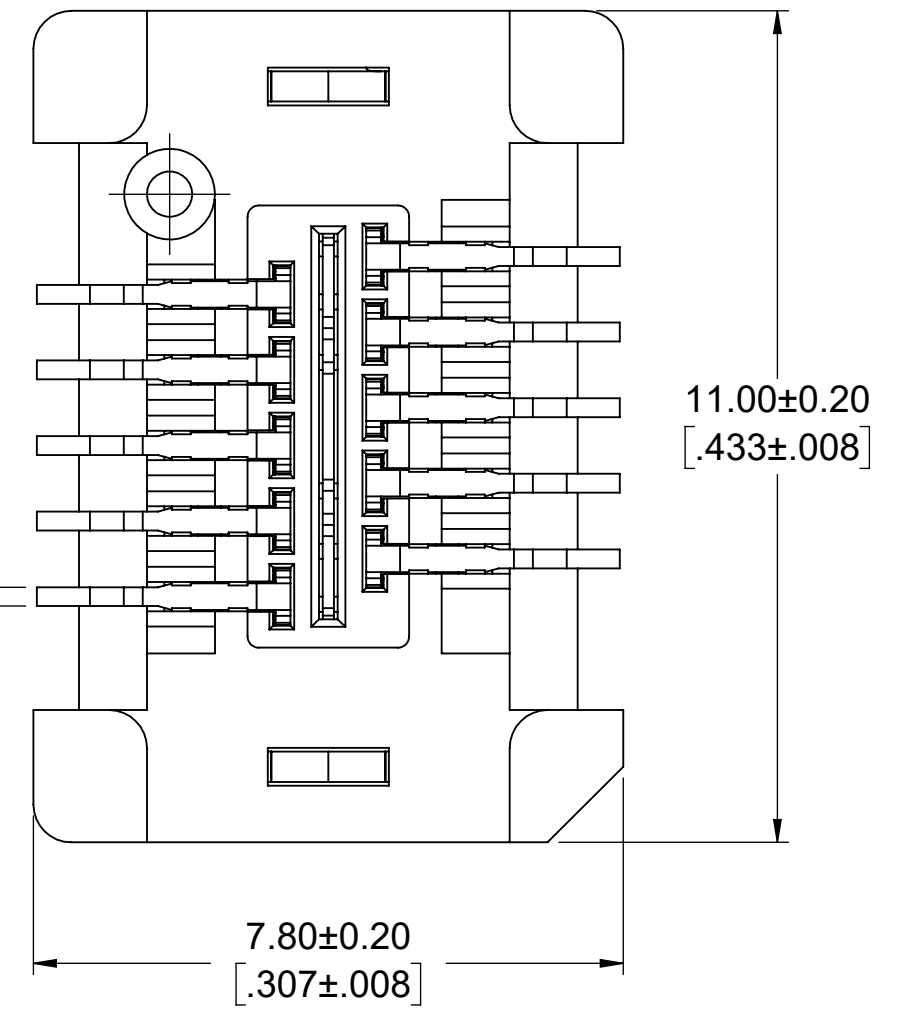
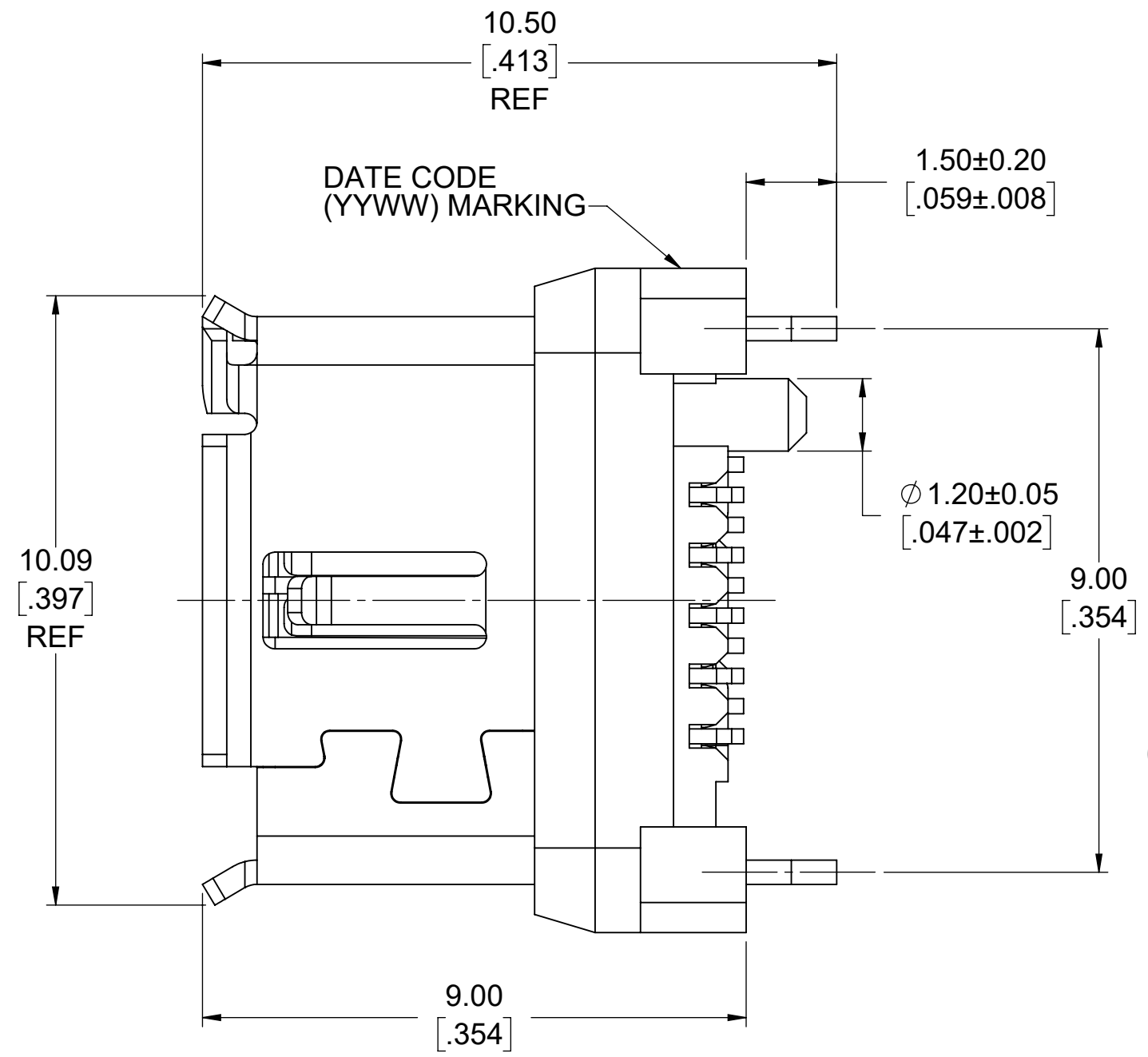
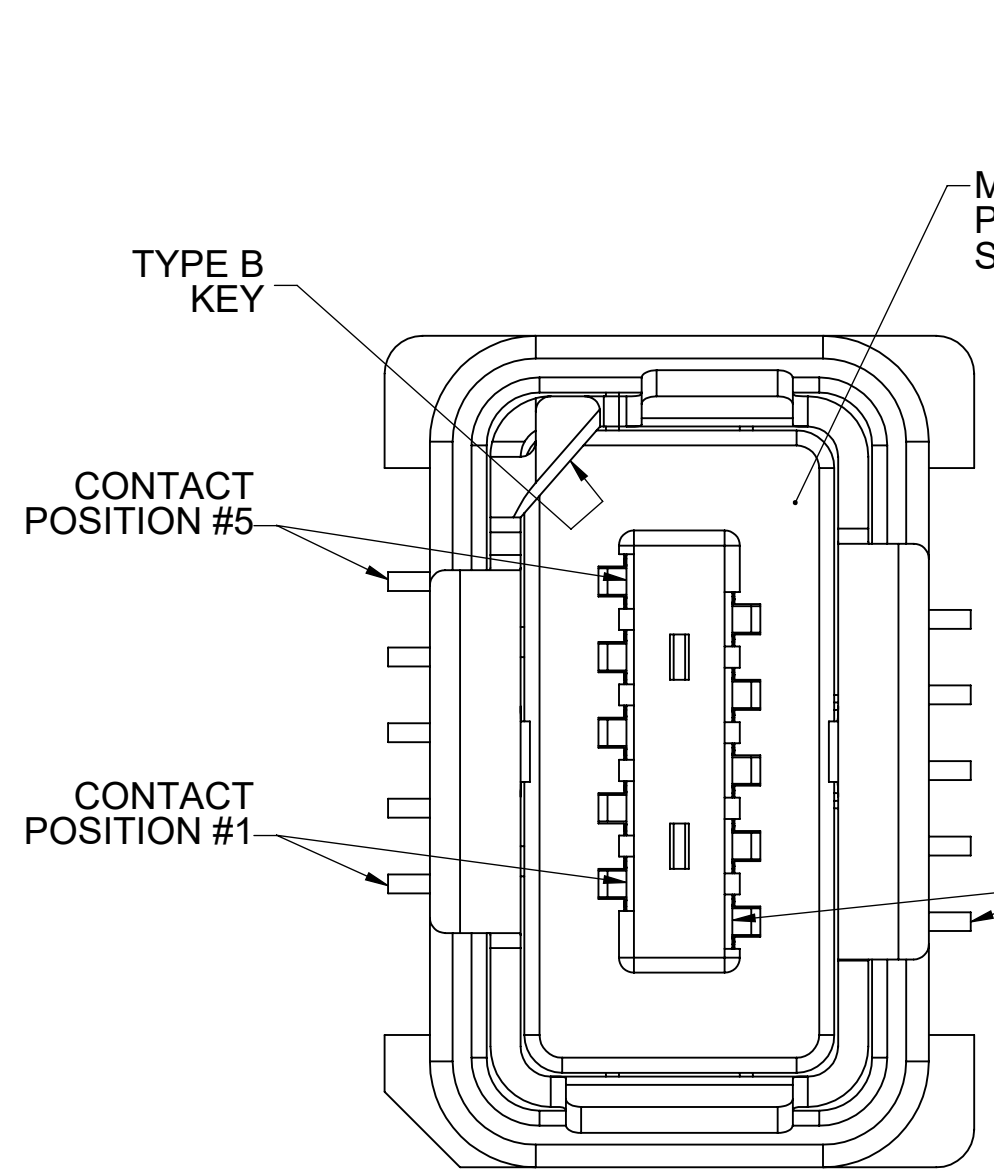


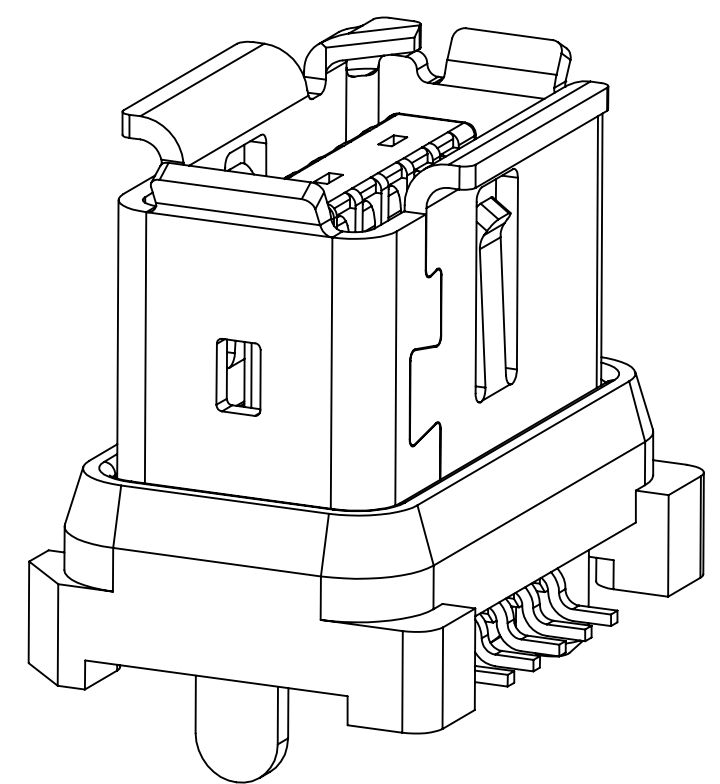
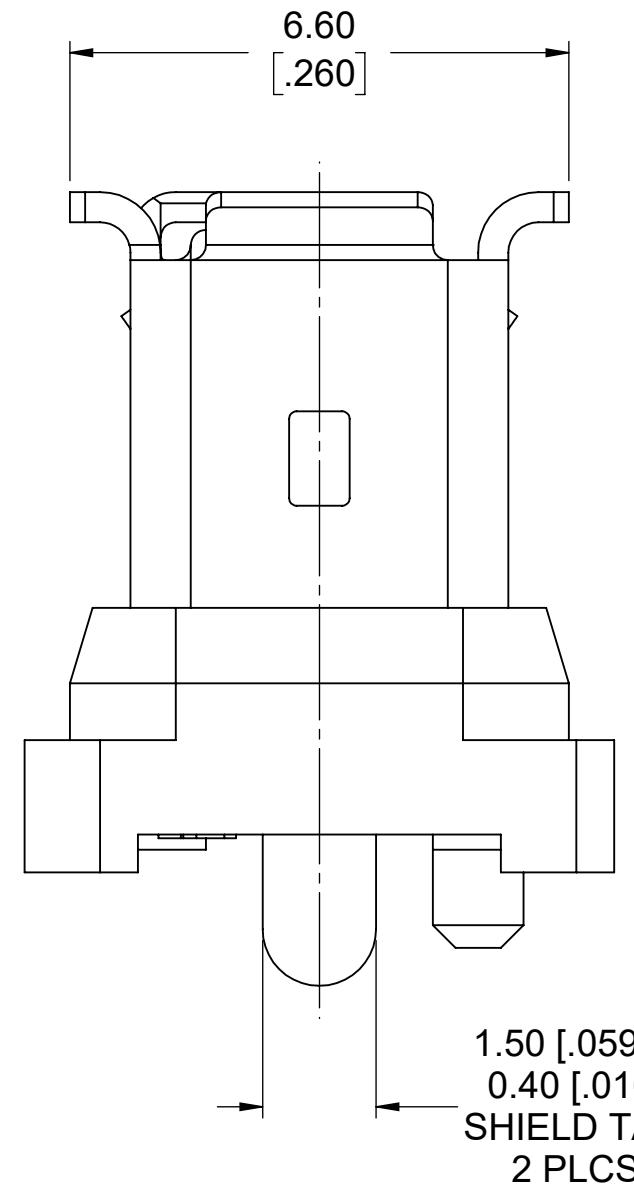
REVISIONS				
REV	DESCRIPTION	DATE	GUARDIAN	APPROVED
-	-	-	-	-
F	ECN-C00201-1	NOV15/23	B. COPPING	K. LAMBIE



0.25 [.010] x
0.20 [.008]
SMT TAIL
10 PLCS

ORDERING CODE: ND9 - BS2X - 00

- SERIES, IX INDUSTRIAL I/O & GBit APPLICATIONS
- TYPE B KEY
- SOCKET / RECEPTACLE
- VERTICAL
- PLATING FOR MATING AREA
 - 1 = GOLD FLASH
 - 2 = 0.20µm (8µ") GOLD
 - 3 = 0.76µm (30µ") GOLD
 - 4 = 1.27µm (50µ") GOLD
 - 7 = 0.76µm (30µ") PALLADIUM NICKEL WITH GOLD FLASH
- STANDARD



NOTES:

1. MATERIAL: RoHS COMPLIANT PER EU DIRECTIVE 2011/65/EU AND AMENDMENTS.
 - SHIELD: STAINLESS STEEL, MATTE TIN OVER NICKEL PLATED.
 - INSERTS: HIGH TEMPERATURE RESISTANT ENGINEERING THERMOPLASTIC, GLASS REINFORCED, UL94V-0, BLACK
 - CONTACTS: COPPER ALLOY PLATED WITH GOLD OR PALLADIUM-NICKEL (SEE ORDERING CODE) OVER 1.27µm (50µ") MINIMUM NICKEL ON THE MATING AREA AND MATTE TIN ON THE SMT TAILS.
 - MID-PLATE: STAINLESS STEEL, NICKEL PLATED
2. CONNECTORS ARE PROVIDED IN TAPE & REEL PACKAGING FOR PICK & PLACE PROCESSING AND ARE SUITABLE FOR IR REFLOW SOLDERING OF PIN IN PASTE SHIELD TAILS AND SURFACE MOUNT CONTACT TAILS.
3. DESIGNED TO CONFORM TO REQUIREMENTS OF IEC 61076 PART 3-124 SPECIFICATION. THE TYPE B KEY FEATURE SHOWN IS INTENDED FOR NON-ETHERNET APPLICATIONS. IN SPECIAL SITUATIONS, THE TYPE B KEYED CONNECTORS, USED IN CONJUNCTION WITH TYPE A KEYED CONNECTORS, MAY BE USED AS A METHOD TO SEGREGATE OR CONTROL MATING PLUG INSTALLATIONS IN A COMPLEX ETHERNET APPLICATION.
4. CURRENT RATING: 1.5 AMPERES, VOLTAGE RATING: 50V AC rms OR 60V DC
5. OPERATING TEMPERATURE -55° TO +105°C.
6. DIELECTRIC WITHSTANDING VOLTAGE: 500V DC
7. CONTACT RESISTANCE: 30 MILLIOHMS MAXIMUM.
8. INSULATION RESISTANCE: 500 MEGOHMS MINIMUM.
9. MATING & UNMATING FORCE: 25N (5.6 lbf) MAXIMUM.



UNLESS SPECIFIED OTHERWISE	DRAWN	B. COPPING	JUN7/19
PRIMARY UNITS MILLIMETRES	CHECKED	K. LAMBIE	JUN7/19
SECONDARY INCHES	M.E. APP'D		
REFERENCE IN PARENTHESES	Q.A. APP'D		
GENERAL TOLERANCES	DWG APP'D		
1 DECIMAL PLACE	ENG NO. EAR 14720		
2 DECIMAL PLACES ±0.15	RELEASE STATE RELEASED		
3 DECIMAL PLACES	THIRD ANGLE PROJECTION		
ANGULAR DEGREES	DO NOT SCALE DRAWING		

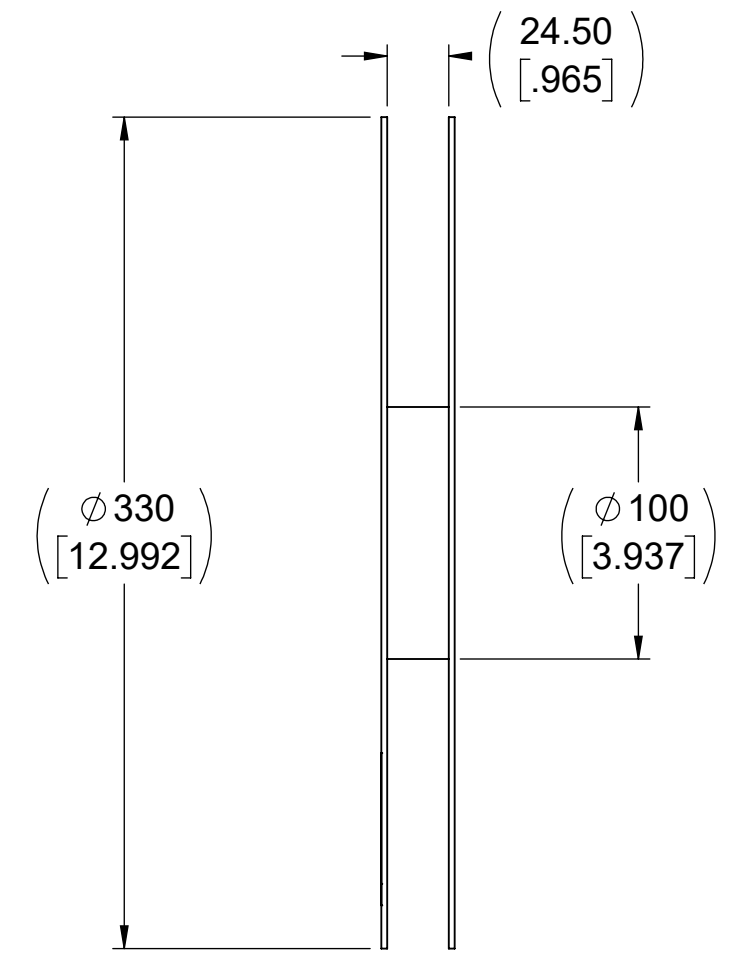
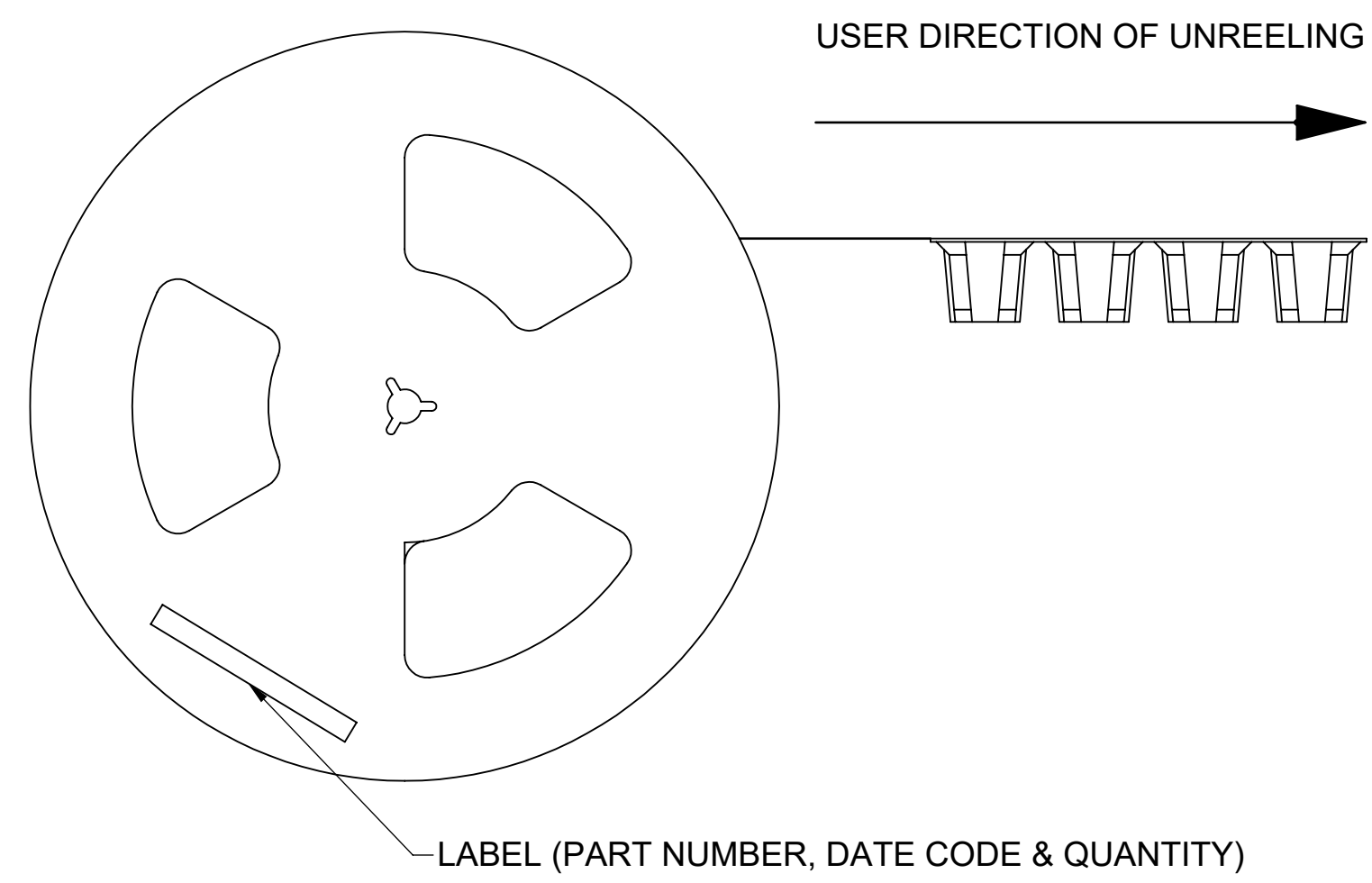
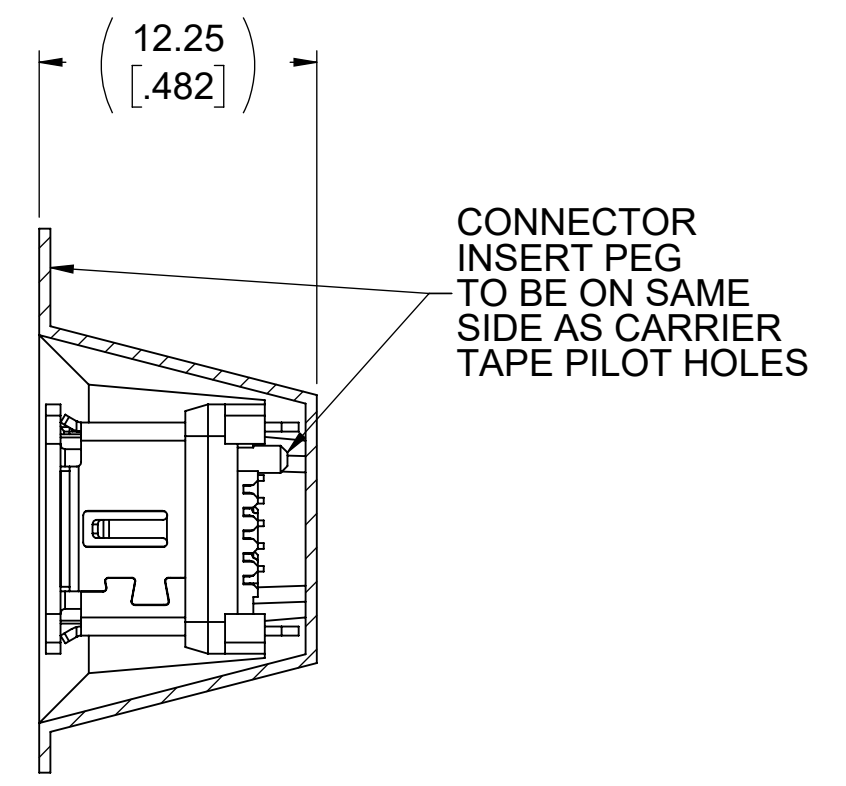
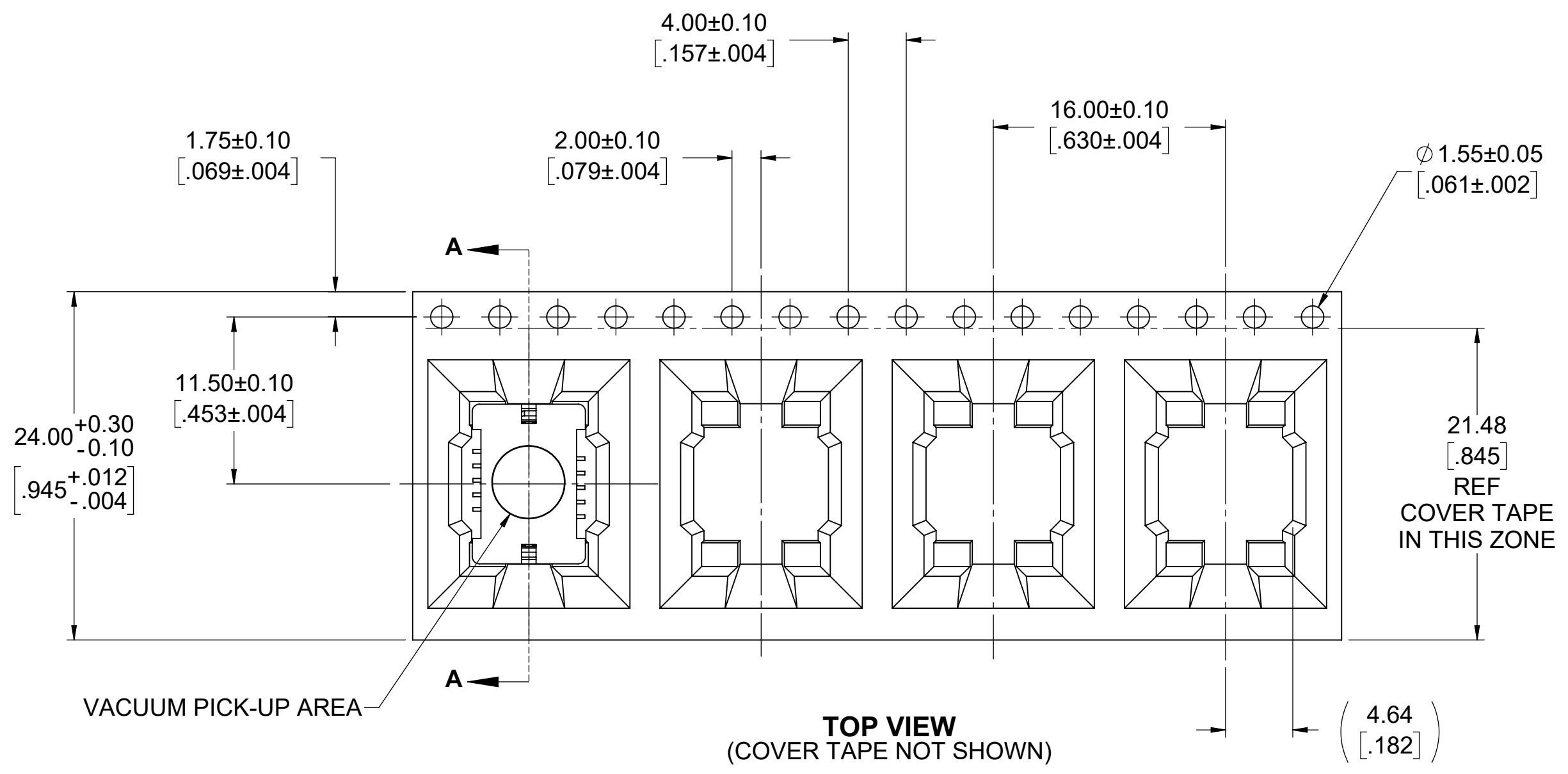
Amphenol Canada Corp.
Commercial Products

IX INDUSTRIAL CONNECTOR, 10 POSITION VERTICAL SMT TERMINATION, CAT 6A HIGH SPEED PERFORMANCE, TYPE B KEY, RoHS COMPLIANT

DWG. NO. **P-ND9-BS2X-00** REV **F**

CODE ID NO. 03554 DWG SIZE: C SCALE: 10:1 SHEET 1 OF 3

REVISIONS				
REV	DESCRIPTION	DATE	GUARDIAN	APPROVED
-	-	-	-	-
F	ECN-C00201-1	NOV15/23	B. COPPING	K. LAMBIE



PACKAGING NOTES:

- EACH REEL TO CONTAIN A QUANTITY OF 350 CONNECTORS.
- EACH FULL CARTON TO CONTAIN A QUANTITY OF 9 REELS FOR A TOTAL OF 3150 CONNECTORS.

THIS DOCUMENT CONTAINS PROPRIETARY INFORMATION AND SUCH INFORMATION MAY NOT BE DISCLOSED TO OTHERS FOR ANY PURPOSE OR USED FOR MANUFACTURING PURPOSES WITHOUT WRITTEN PERMISSION FROM AMPHENOL CANADA CORP.

UNLESS SPECIFIED OTHERWISE	DRAWN	B. COPPING	JUN7/19
PRIMARY UNITS MILLIMETRES	CHECKED	K. LAMBIE	JUN7/19
SECONDARY INCHES	M.E. APP'D		
REFERENCE IN PARENTHESES	Q.A. APP'D		
GENERAL TOLERANCES	DWG APP'D		
1 DECIMAL PLACE	ENG. NO. EAR 14720		
2 DECIMAL PLACES ±0.15	RELEASE STATE RELEASED		
3 DECIMAL PLACES	THIRD ANGLE PROJECTION		
ANGULAR DEGREES	DO NOT SCALE DRAWING		

Amphenol Canada Corp.
Commercial Products
IX INDUSTRIAL CONNECTOR, 10 POSITION VERTICAL SMT TERMINATION, CAT 6A HIGH SPEED PERFORMANCE, TYPE B KEY, RoHS COMPLIANT

DWG. NO. **P-ND9-BS2X-00** REV **F**

CODE ID NO. 03554 DWG SIZE: C SCALE: 3:1 SHEET 3 OF 3