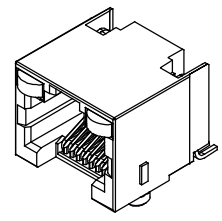
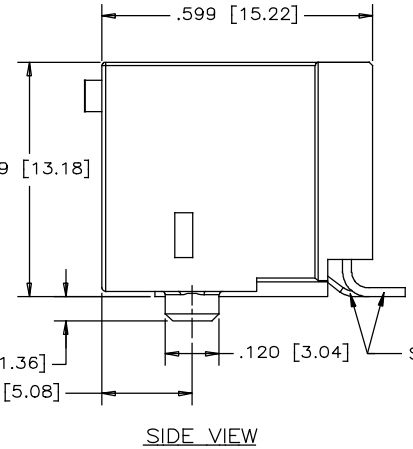
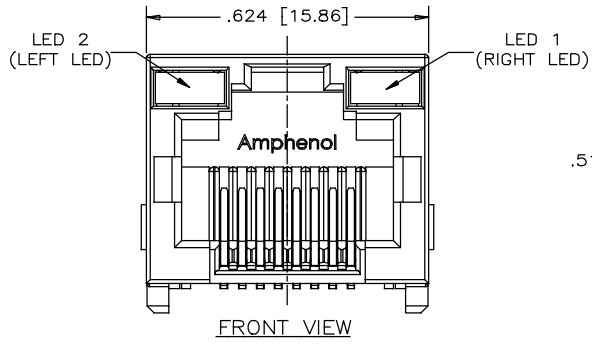
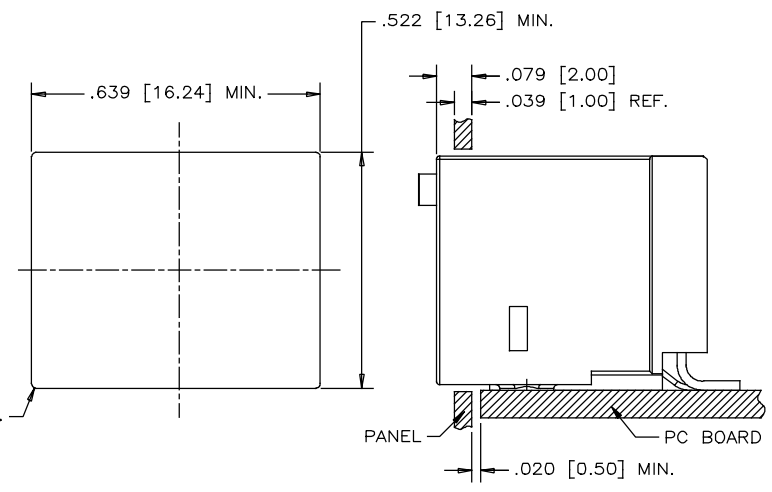


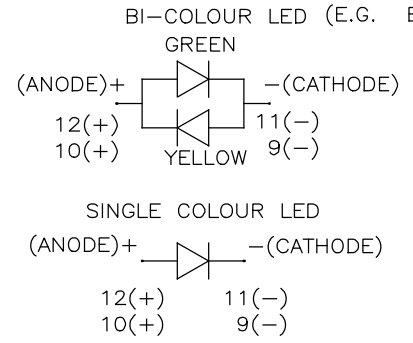
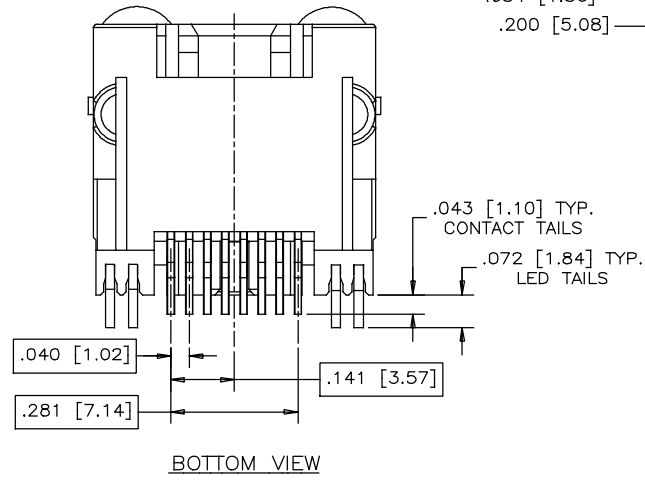
REVISIONS			
REV	DESCRIPTION, ECN, EAR NO.	DATE	APP'D
A	PROPOSAL	OCT28/19	L.CHAN



ISOMETRIC VIEW
(SCALE 1:2)



RECOMMENDED PANEL CUT-OUT



LED SCHEMATIC

1, MATERIALS:

HOUSING: HIGH TEMPERATURE THERMOPLASTIC
FLAMMABILITY RATING UL 94V-0
COLOR: BLACK

CONTACTS: PHOSPHOR BRONZE
PLATING: SELECTIVE GOLD PLATING ON MATING SURFACES
SEE PART NO. FOR THICKNESS,
50 u" [1.27 MICRONS] MIN NICKEL UNDERPLATE.
100 u" [2.54 MICRONS]
MIN MATTE-TIN OR GOLD FLASH ON CONTACT TAILS.

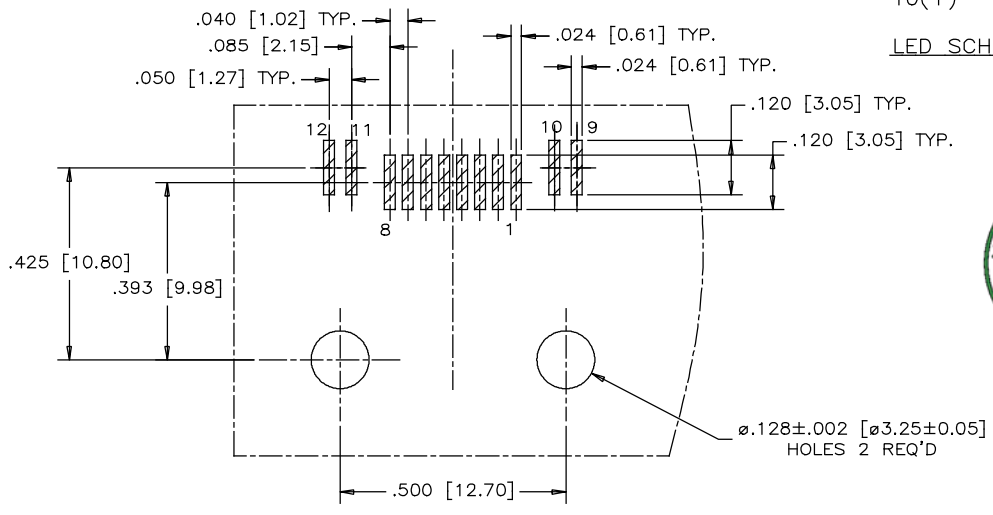
3, COPLANARITY SPECIFICATION:

THE MAXIMUM GAP BETWEEN ALL TERMINAL TAILS IS 0.10 [0.004"]

AMPHENOL PART NUMBER: RJCSE-X08X-01X

GOLD PLATING OPTION:
0 = GOLD FLASH PLATING
2 = 6u" GOLD PLATING
3 = 15u" GOLD PLATING
4 = 30u" GOLD PLATING
5 = 50u" GOLD PLATING
A = 20u" GOLD PLATING

REFER TO LED
OPTIONS DRAWING



RECOMMENDED P.C.B. LAYOUT
(COMPONENT SIDE OF BOARD)



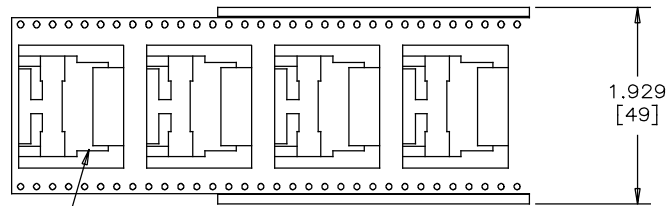
THIS DOCUMENT CONTAINS PROPRIETARY INFORMATION AND SUCH INFORMATION MAY NOT BE DISCLOSED TO OTHERS FOR ANY PURPOSE OR USED FOR MANUFACTURING PURPOSES WITHOUT WRITTEN PERMISSION FROM AMPHENOL CANADA CORP.

UNLESS SPECIFIED OTHERWISE	DRAWN	RONNIE.C	OCT28/19
PRIMARY UNITS INCHES	CHECKED	KELVIN.T	OCT28/19
SECONDARY MILLIMETERS	M.E. APP'D		
REFERENCE IN PARENTHESES	Q.A. APP'D		
GENERAL TOLERANCES	DWG APP'D		
1 DECIMAL PLACE	ENG. REL. NO.		
2 DECIMAL PLACES	REF.		
3 DECIMAL PLACES ±.015			
ANGULAR DEGREES ±1.5°	THIRD ANGLE PROJECTION		
	DO NOT SCALE DRAWING		

Amphenol Canada Corp. Commercial Products	
SINGLE PORT SURFACE MOUNT JACK, 8 POSITION, 8 CONTACTS, UNSHIELD, WITH LED AND GOLD PLATING OPTION -ROHS COMPLIANT	
DWG NO.	REV
P-RJCSE-X08X-01X	A
CODE ID NO. 03554	DWG SIZE X
SCALE 1:1	SHEET 1 OF 2

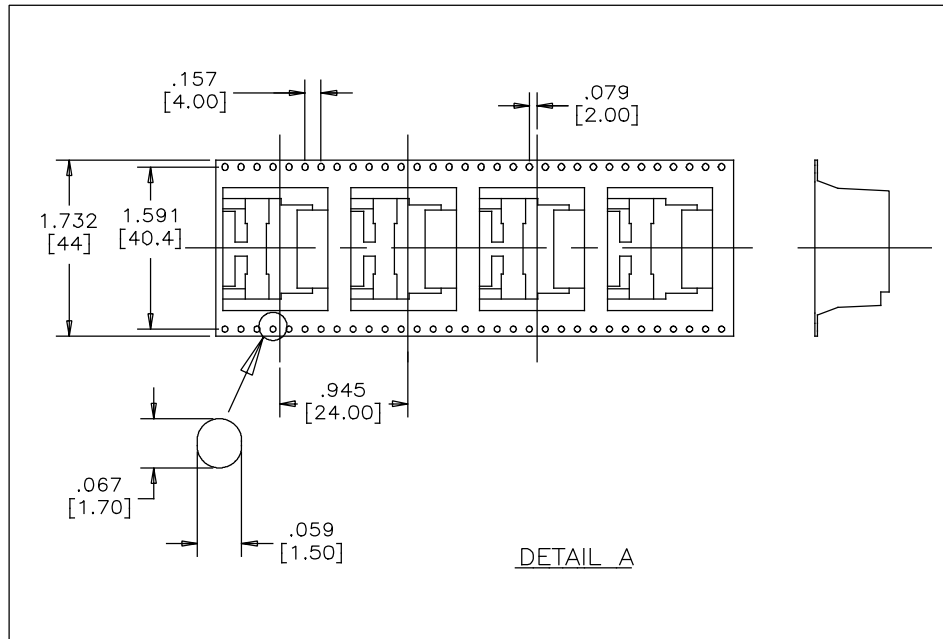
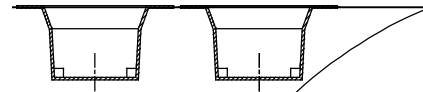
REVISIONS			
REV	DESCRIPTION, ECN, EAR NO.	DATE	APP'D
A	PROPOSAL	OCT28/19	L.CHAN

← DIRECTION OF CONNECTOR LOADED INTO MACHINE.
LEADS FACING FRONT SIDE

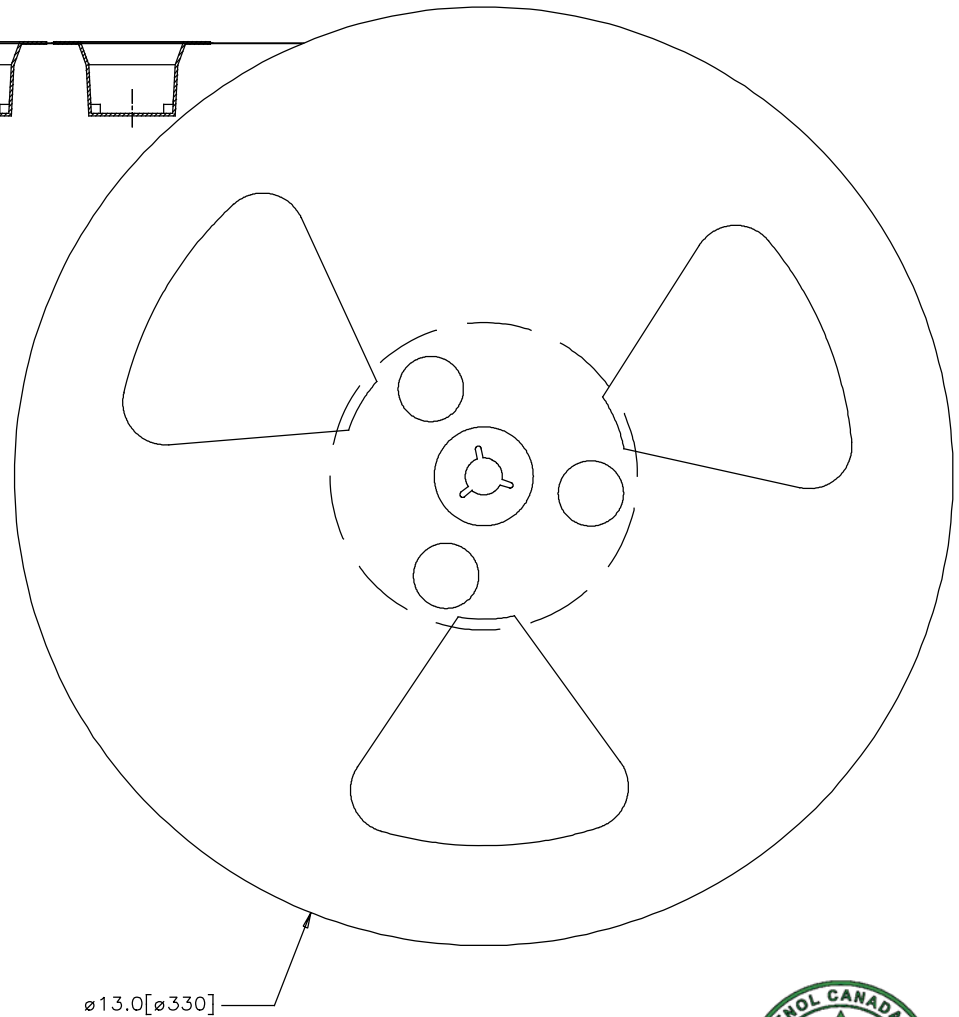


TOP VIEW
(COVER TAPE NOT SHOWN)

SEE DETAIL 'A'



DETAIL A



PACKAGING NOTES:

- ONE REEL SHOULD HOLD 150 CONNECTORS.
- A FULLY LOADED CARTON SHOULD CONTAIN 5 REELS OF CONNECTORS.



UNLESS SPECIFIED OTHERWISE	DRAWN RONNIE.C	OCT28/19
PRIMARY UNITS INCHES	CHECKED KELVIN.T	OCT28/19
SECONDARY MILLIMETERS	M.E. APP'D	
REFERENCE IN PARENTHESES	Q.A. APP'D	
GENERAL TOLERANCES	DWG APP'D	
1 DECIMAL PLACE	ENG. REL. NO.	
2 DECIMAL PLACES	REF.	
3 DECIMAL PLACES ±.015	THIRD ANGLE PROJECTION	DO NOT SCALE DRAWING
ANGULAR DEGREES ±1.5°		

Amphenol Canada Corp.
Commercial Products

SINGLE PORT SURFACE MOUNT JACK,
8 POSITION, 8 CONTACTS, UNSHIELDED,
WITH LED AND GOLD PLATING OPTION
—RoHS COMPLIANT

DWG NO.	REV
P-RJCSE-X08X-01X	A
CODE ID NO. 03554	DWG SIZE X
SCALE 1:1	SHEET 2 OF 2

