

AMPHENOL PART NUMBER CONFIGURATION

UE86-4G2620-X0X61

LIGHT PIPE OPTION

- 0 - NO LIGHT PIPE
- 1 - 4 LP PER 2X1, NORMAL ORIENTATION
- 2 - 2 INNER LP PER 2X1, NORMAL ORIENTATION
- 3 - 2 OUTER LP PER 2X1, NORMAL ORIENTATION
- 4 - 4 LP PER 2X1, REVERSING ORIENTATION
- 5 - 2 INNER LP PER 2X1, REVERSING ORIENTATION
- 6 - 2 OUTER LP PER 2X1, REVERSING ORIENTATION
- 7 - 3 LP PER 2X1, 2 OUTER LP, NORMAL ORIENTATION
- 8 - 3 LP PER 2X1, 2 OUTER LP, REVERSING ORIENTATION

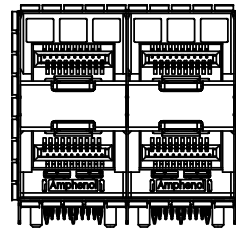
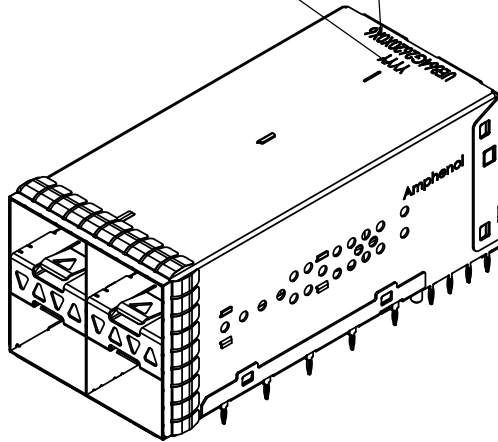
PACKAGING

- 1 - TRAY PACKAGING (STACKED)

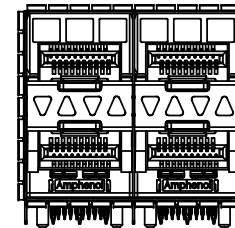
PLATING OPTIONS FOR CONNECTOR

- 2 - 30µ" GOLD PLATING ON MATING AREA
15-100µ" MATTE TIN ON TERMINATION
- 3 - 30µ" GOLD PLATING ON MATING AREA
150-300µ" MATTE TIN ON TERMINATION
- 5 - 15µ" GOLD PLATING ON MATING AREA
15-100µ" MATTE TIN ON TERMINATION
- 6 - 15µ" GOLD PLATING ON MATING AREA
150-300µ" MATTE TIN ON TERMINATION

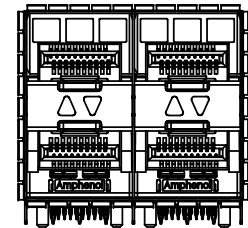
PART NUMBER
(LAST DIGIT INDICATING
PACKAGING TYPE, NOT
PRINTED ON THE PART)
DATE CODE



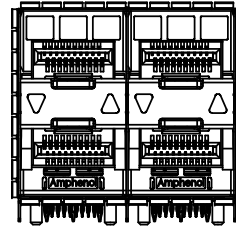
NO LIGHT PIPES
UE86-4G2620-00X61



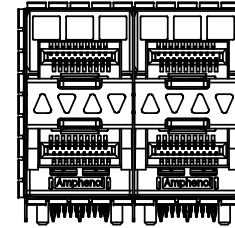
4 LIGHT PIPES
UE86-4G2620-10X61



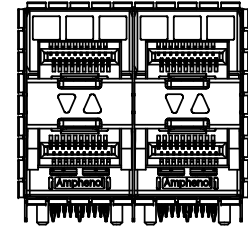
2 INNER LIGHT PIPES
UE86-4G2620-20X61



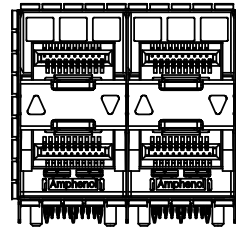
2 OUTER LIGHT PIPES
UE86-4G2620-30X61



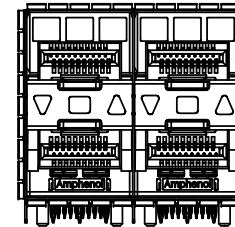
4 LIGHT PIPES UPSIDE DOWN
UE86-4G2620-40X61



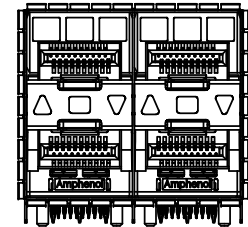
2 INNER LIGHT PIPES UPSIDE DOWN
UE86-4G2620-50X61



2 OUTER LIGHT PIPES UPSIDE DOWN
UE86-4G2620-60X61



3 LIGHT PIPES
UE86-4G2620-70X61



3 LIGHT PIPES UPSIDE DOWN
UE86-4G2620-80X61

MATERIAL: (RoHS COMPLIANT)

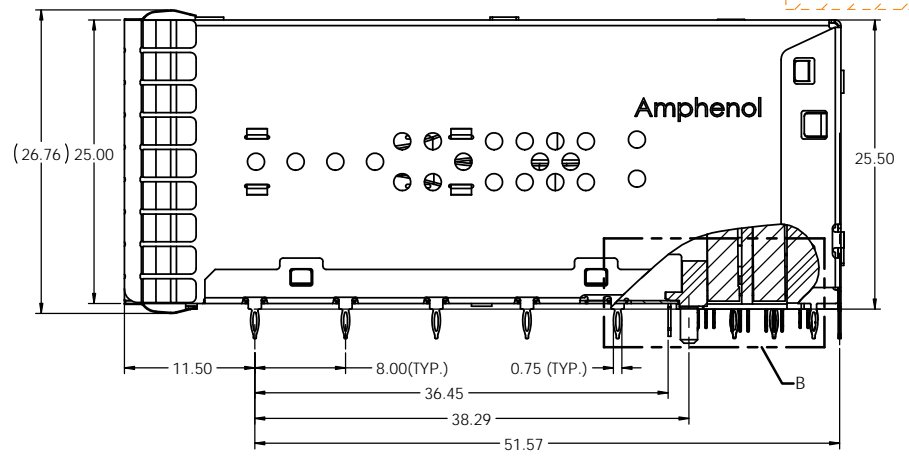
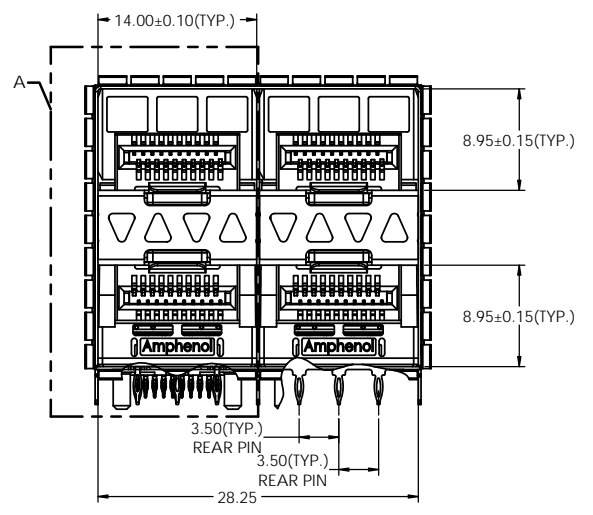
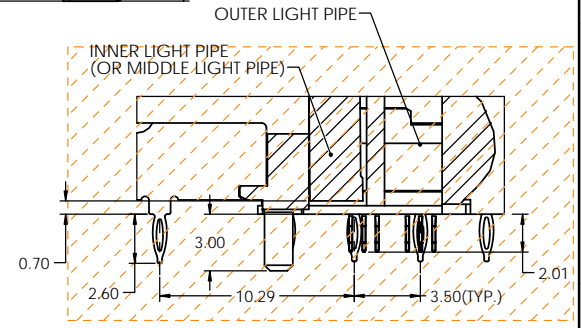
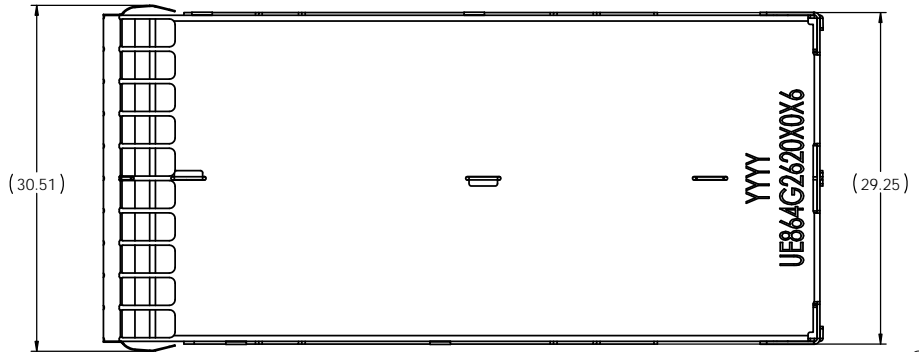
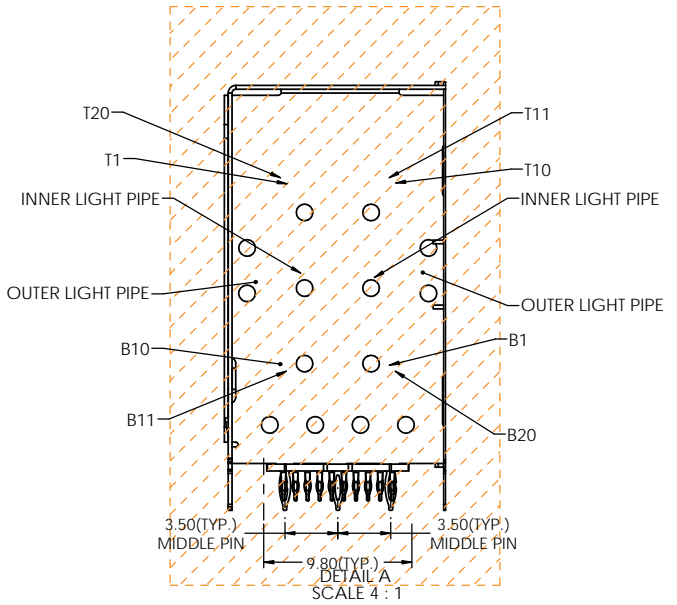
1. CAGE - PRESS FIT: COPPER ALLOY (NICKEL SILVER)
2. CONNECTOR - PRESS FIT:
-PLASTIC HOUSING: LCP, FLAMMABILITY RATING UL94-V0.
-CONTACTS: PHOSPHOR BRONZE
3. LIGHT PIPE: CLEAR POLYCARBONATE, FLAMMABILITY RATING UL94-V0.
4. PACKAGING: TRAY PACKAGING.
5. TEMPERATURE RANGE: -40°C TO +85°C



REVISIONS				
REV.	ECN	DESCRIPTION	DATE	APPROVED
-	-	-	-	-
-	-	-	-	-
A		PROPOSAL	APR 02/19	J.SI

UNLESS SPECIFIED OTHERWISE:		DRAWN	P. TOMA	APR 02/19	Amphenol High Speed Interconnects A Division of Amphenol Corp. www.amphenolcanada.com
DIMENSIONS ARE IN MILLIMETERS		CHECKED	J. SI	APR 02/19	
REFERENCE IN PARENTHESES		M.E. APP'D			2X2 SFP EXTREMEPORT WITH LIGHT PIPE OPTIONS AND EMI SPRING FINGER
GENERAL TOLERANCES		QA APP'D			
1 DECIMAL PLACE	±0.25	DWG APP'D		J. SI	APR 02/19
2 DECIMAL PLACE	±0.15	MATERIAL AND FINISH		SEE NOTES	
3 DECIMAL PLACE	±0.10	REF.	ECN Exxxxx	DWG. NO.	REV

REVISIONS				
REV.	ECN	DESCRIPTION	DATE	APPROVED
-	-	-	-	-
-	-	-	-	-
A		PROPOSAL	APR 02/19	J.SI



DETAIL B
SCALE 5 : 1

UNLESS SPECIFIED OTHERWISE		DRAWN	P. TOMA	APR 02/19
DIMENSIONS ARE IN MILLIMETERS		CHECKED	J. SI	APR 02/19
REFERENCE IN PARENTHESES		ME APP'D		
GENERAL TOLERANCES		QA APP'D		
1 DECIMAL PLACE	±0.25	DWG APP'D	J. SI	APR 02/19
2 DECIMAL PLACE	±0.15	MATERIAL AND FINISH	SEE NOTES	
3 DECIMAL PLACE	±0.10	REF.	ECN Exxxxx	

Amphenol High Speed Interconnects
A Division of Amphenol Corp. www.amphenolcanada.com

2X2 SFP EXTREMEPORT WITH LIGHT PIPE
OPTIONS AND EMI SPRING FINGER

DWG. NO. _____ REV _____

A

B

C

D

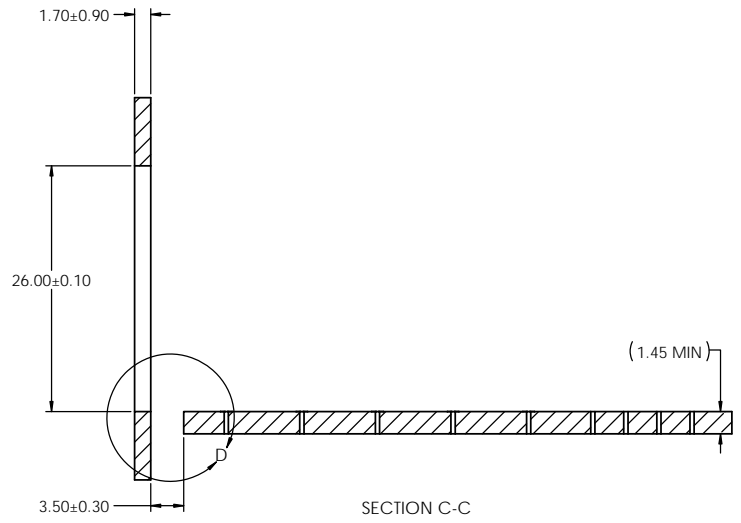
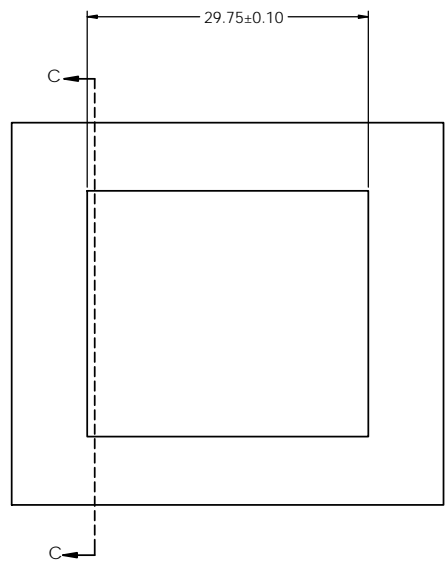
E

F

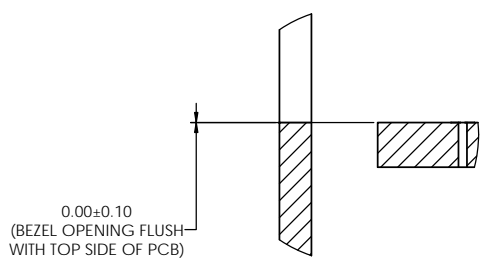
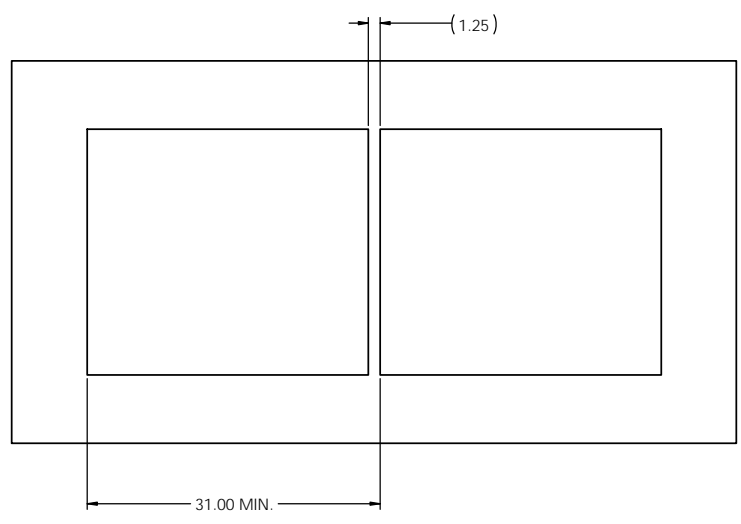
G

H

REVISIONS				
REV.	ECN	DESCRIPTION	DATE	APPROVED
-	-	-	-	-
-	-	-	-	-
A		PROPOSAL	APR 02/19	J.SI



SECTION C-C



DETAIL D
SCALE 5 : 1

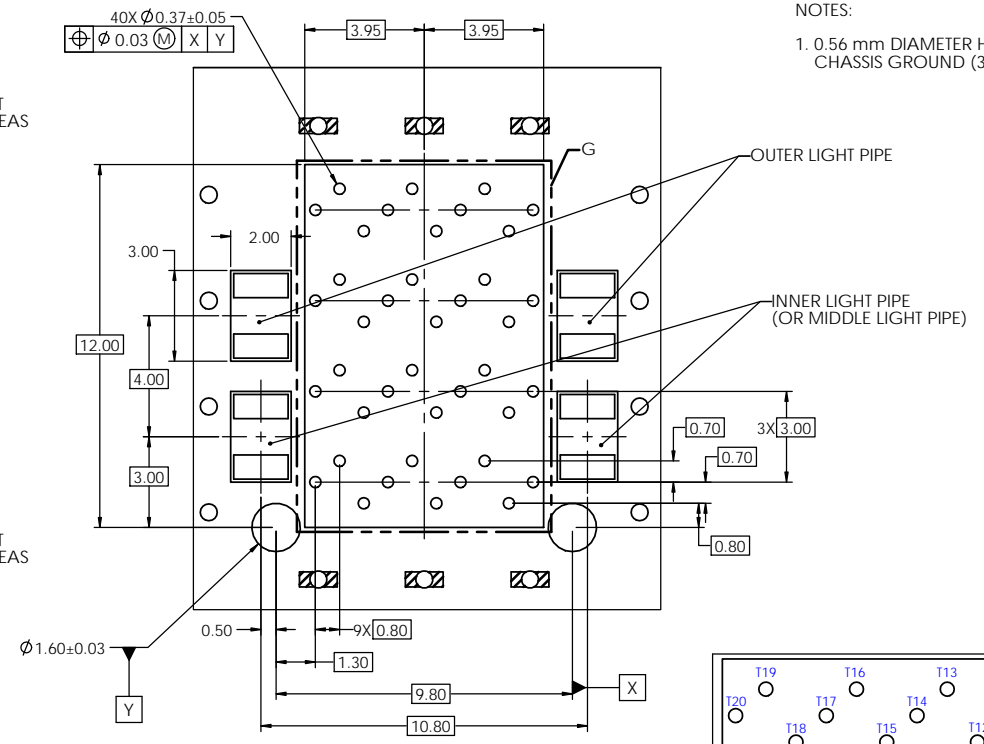
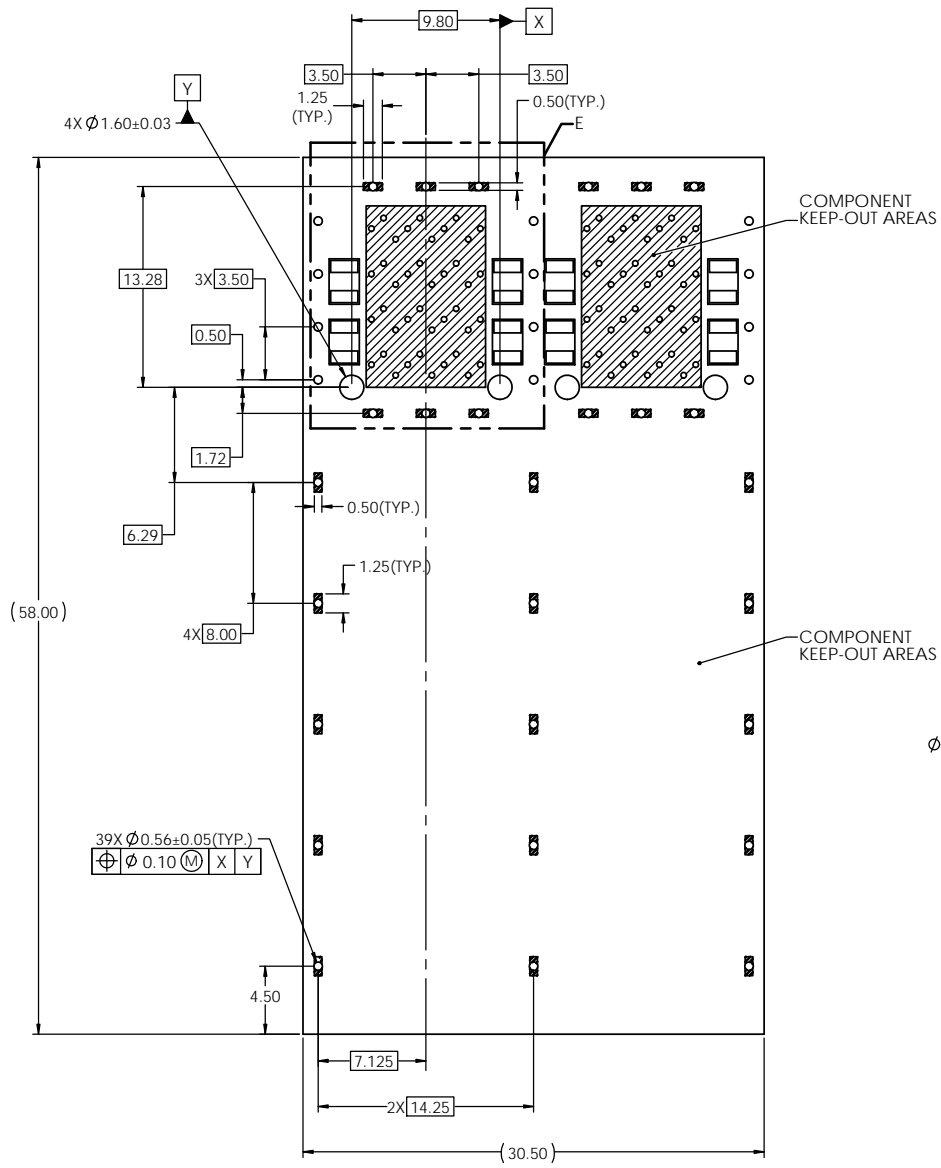
UNLESS SPECIFIED OTHERWISE:		DRAWN	P. TOMA	APR 02/19
DIMENSIONS ARE IN MILLIMETERS		CHECKED	J. SI	APR 02/19
REFERENCE IN PARENTHESES		ME APP'D		
GENERAL TOLERANCES		QA APP'D		
1 DECIMAL PLACE	±0.25	DWG APP'D	J. SI	APR 02/19
2 DECIMAL PLACE	±0.15	MATERIAL AND FINISH	SEE NOTES	
3 DECIMAL PLACE	±0.10	REF.	ECN Exxxxx	

Amphenol High Speed Interconnects
 A Division of Amphenol Corp. www.amphenolcanada.com

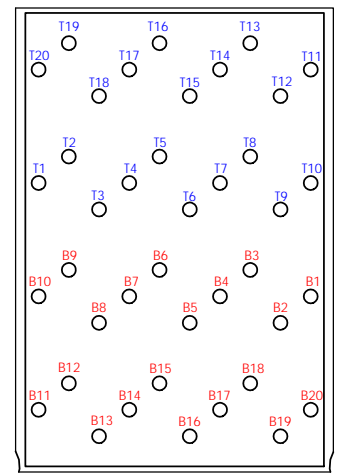
2X2 SFP EXTREMEPORT WITH LIGHT PIPE
 OPTIONS AND EMI SPRING FINGER

DWG. NO.		REV	
-----------------	--	------------	--

REVISIONS				
REV.	ECN	DESCRIPTION	DATE	APPROVED
-	-	-	-	-
-	-	-	-	-
A		PROPOSAL	APR 02/19	J.SI



NOTES:
1. 0.56 mm DIAMETER HOLES ARE CHASSIS GROUND (39HOLES).



UNLESS SPECIFIED OTHERWISE	DRAWN	P. TOMA	APR 02/19
DIMENSIONS ARE IN MILLIMETERS	CHECKED	J. SI	APR 02/19
REFERENCE IN PARENTHESES	ME APP'D		
GENERAL TOLERANCES	QA APP'D		
1 DECIMAL PLACE ± 0.25	DWG APP'D	J. SI	APR 02/19
2 DECIMAL PLACE ± 0.15	MATERIAL AND FINISH	SEE NOTES	
3 DECIMAL PLACE ± 0.10	REF.	ECN Exxxxx	DWG. NO.

Amphenol High Speed Interconnects
A Division of Amphenol Corp. www.amphenolcanada.com

2X2 SFP EXTREMEPORT WITH LIGHT PIPE
OPTIONS AND EMI SPRING FINGER