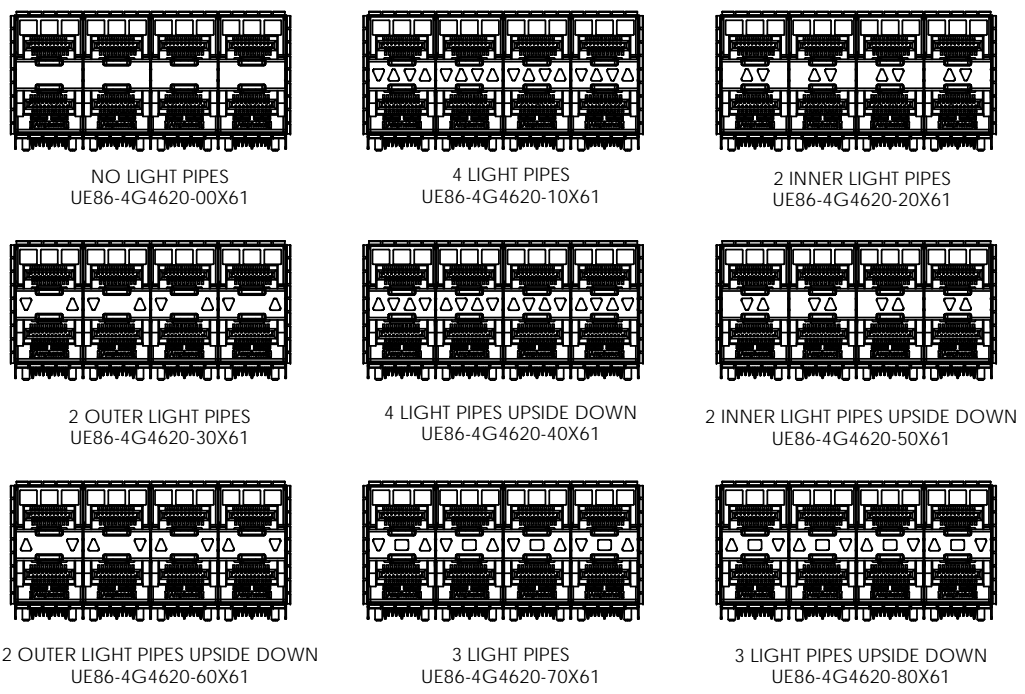
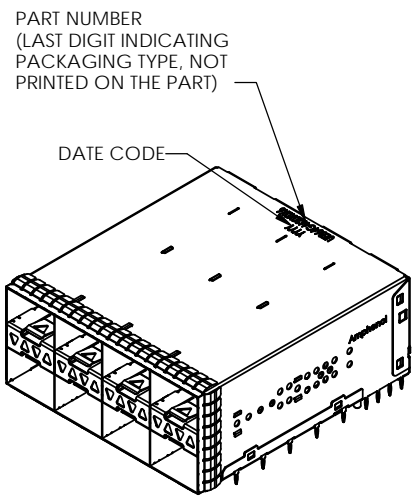


AMPHENOL PART NUMBER CONFIGURATION
UE86-4G4620-X0X61

- LIGHT PIPE OPTION**
- 0 - NO LIGHT PIPE
 - 1 - 4 LP PER 2X1, NORMAL ORIENTATION
 - 2 - 2 INNER LP PER 2X1, NORMAL ORIENTATION
 - 3 - 2 OUTER LP PER 2X1, NORMAL ORIENTATION
 - 4 - 4 LP PER 2X1, REVERSING ORIENTATION
 - 5 - 2 INNER LP PER 2X1, REVERSING ORIENTATION
 - 6 - 2 OUTER LP PER 2X1, REVERSING ORIENTATION
 - 7 - 3 LP PER 2X1, 2 OUTER LP, NORMAL ORIENTATION
 - 8 - 3 LP PER 2X1, 2 OUTER LP, REVERSING ORIENTATION

- PACKAGING**
- 1 - TRAY PACKAGING (STACKED)
- PLATING OPTIONS FOR CONNECTOR**
- 2 - 30µ" GOLD PLATING ON MATING AREA
15-100µ" MATTE TIN ON TERMINATION
 - 3 - 30µ" GOLD PLATING ON MATING AREA
150-300µ" MATTE TIN ON TERMINATION
 - 5 - 15µ" GOLD PLATING ON MATING AREA
15-100µ" MATTE TIN ON TERMINATION
 - 6 - 15µ" GOLD PLATING ON MATING AREA
150-300µ" MATTE TIN ON TERMINATION

REVISIONS				
REV.	ECN	DESCRIPTION	DATE	APPROVED
A		PROPOSAL	APR 03/19	J.SI
B		COMPLIANT PINS DIMENSION UPDATES	MAY 05/19	J.SI
-		-	-	-



MATERIAL: (RoHS COMPLIANT)

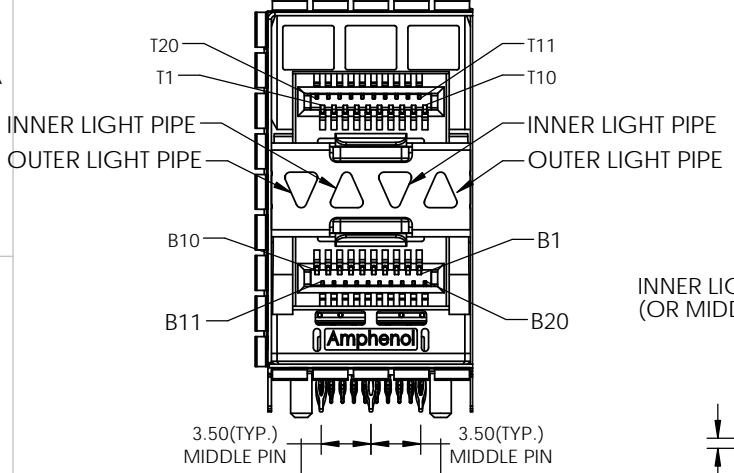
1. CAGE - PRESS FIT: COPPER ALLOY (NICKEL SILVER)
2. CONNECTOR - PRESS FIT:
- PLASTIC HOUSING: LCP, FLAMMABILITY RATING UL94-V0
- CONTACTS: PHOSPHOR BRONZE
3. LIGHT PIPE: CLEAR POLYCARBONATE, FLAMMABILITY RATING UL94-V0
4. PACKAGING: TRAY PACKAGING
5. TEMPERATURE RANGE: -40°C TO +85°C



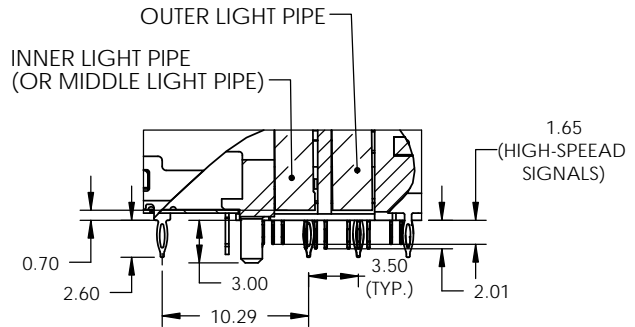
THIS DOCUMENT CONTAINS PROPRIETARY INFORMATION AND SUCH INFORMATION MAY NOT BE DISCLOSED TO OTHERS FOR ANY PURPOSE OR USED FOR MANUFACTURING PURPOSES WITHOUT WRITTEN PERMISSION FROM AMPHENOL CANADA CORP.

UNLESS SPECIFIED OTHERWISE	DRAWN	P. TOMA	APR 03/19	Amphenol High Speed Interconnects A Division of Amphenol Corp. www.amphenolcanada.com 2X4 SFP EXTREMEPORT WITH LIGHT PIPE OPTIONS AND EMI SPRING FINGER	DWG. NO. P-UE86-4G4620-X0X61 REV B
DIMENSIONS ARE IN MILLIMETERS	CHECKED	J. SI	APR 03/19		
REFERENCE IN PARENTHESES	M.E. APP'D				
GENERAL TOLERANCES	Q.A. APP'D				
1 DECIMAL PLACE ±0.25	DWG APP'D	J. SI	APR 03/19		
2 DECIMAL PLACE ±0.15	MATERIAL AND FINISH	SEE NOTES			
3 DECIMAL PLACE N/A	REF.	ECN Exxxxx			
ANGULAR DEGREES ±1°	THIRD ANGLE PROJECTION	DO NOT SCALE DRAWING			
ENG. REL. NO.				CODE ID NO. 03554	DWG SIZE: A4
				SCALE: 2:3	SHEET 1 OF 5

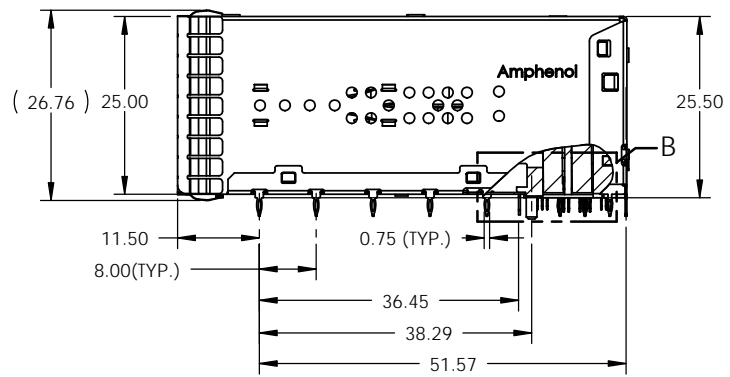
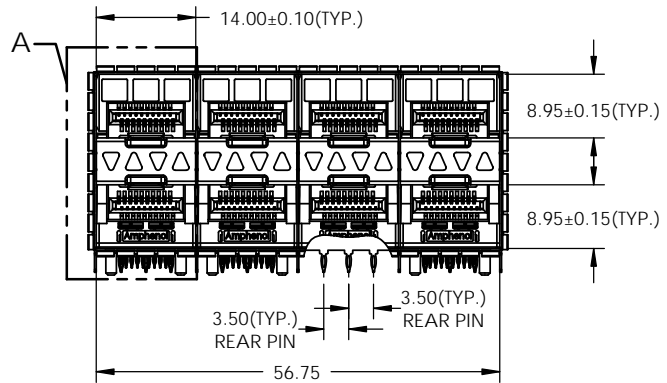
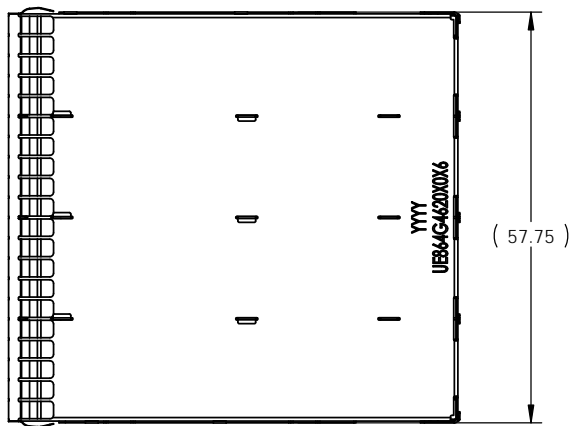
REVISIONS				
REV.	ECN	DESCRIPTION	DATE	APPROVED
A		PROPOSAL	APR 03/19	J.SI
B		COMPLIANT PINS DIMENSION UPDATES	MAY 05/19	J.SI
-		-	-	-



DETAIL A
SCALE 2 : 1



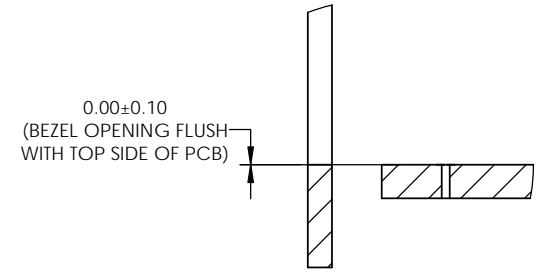
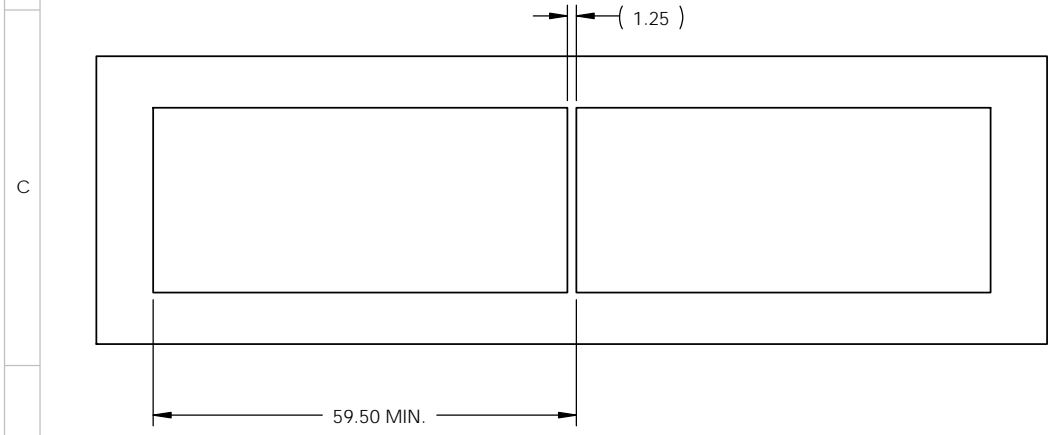
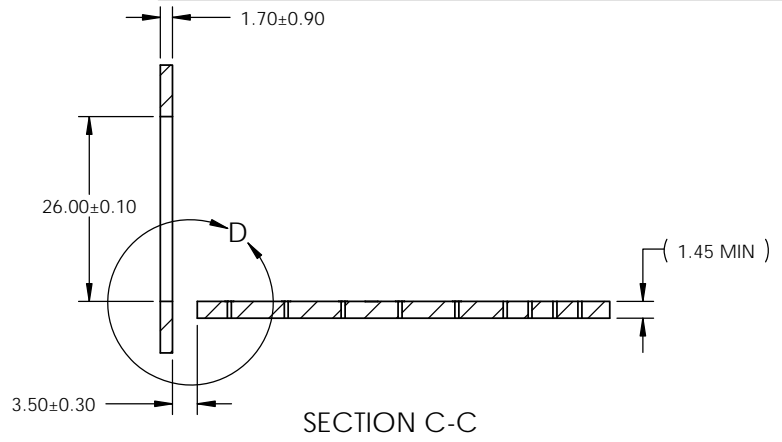
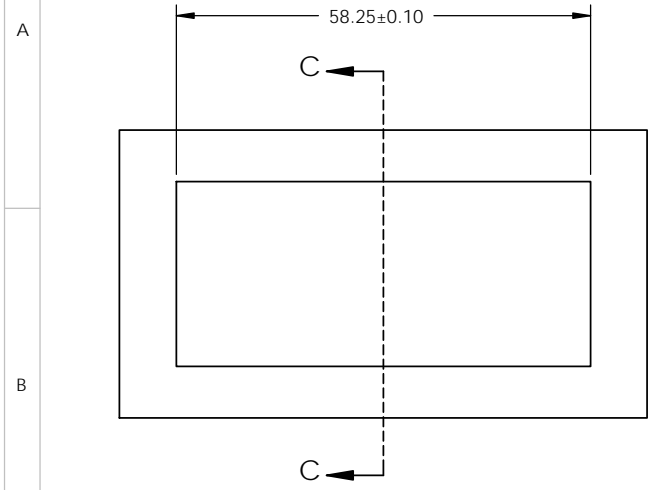
DETAIL B
SCALE 2 : 1



THIS DOCUMENT CONTAINS PROPRIETARY INFORMATION AND SUCH INFORMATION MAY NOT BE DISCLOSED TO OTHERS FOR ANY PURPOSE OR USED FOR MANUFACTURING PURPOSES WITHOUT WRITTEN PERMISSION FROM AMPHENOL CANADA CORP.

UNLESS SPECIFIED OTHERWISE DIMENSIONS ARE IN MILLIMETERS REFERENCE IN PARENTHESES GENERAL TOLERANCES	DRAWN P. TOMA CHECKED J. SI M.E. APP'D Q.A. APP'D DWG APP'D J. SI MATERIAL AND FINISH REF. ECN Exxxxx	APR 03/19 APR 03/19	Amphenol High Speed Interconnects A Division of Amphenol Corp. www.amphenolcanada.com 2X4 SFP EXTREMEPORT WITH LIGHT PIPE OPTIONS AND EMI SPRING FINGER	DWG. NO.	REV B	
1 DECIMAL PLACE ±0.25 2 DECIMAL PLACE ±0.15 3 DECIMAL PLACE N/A ANGULAR DEGREES ±1° ENG. REL. NO.	SEE NOTES	APR 03/19		P-UE86-4G4620-X0X61		
THIRD ANGLE PROJECTION DO NOT SCALE DRAWING			CODE ID NO. 03554	DWG SIZE: A4	SCALE: 1:1	SHEET 2 OF 5

REVISIONS				
REV.	ECN	DESCRIPTION	DATE	APPROVED
A		PROPOSAL	APR 03/19	J.SI
B		COMPLIANT PINS DIMENSION UPDATES	MAY 05/19	J.SI
-		-	-	-

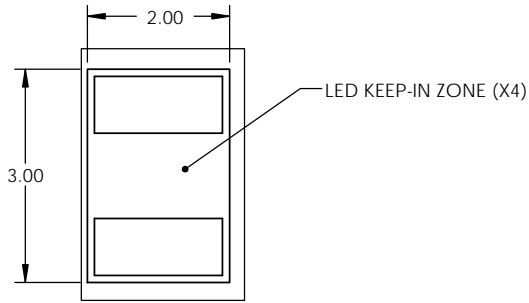
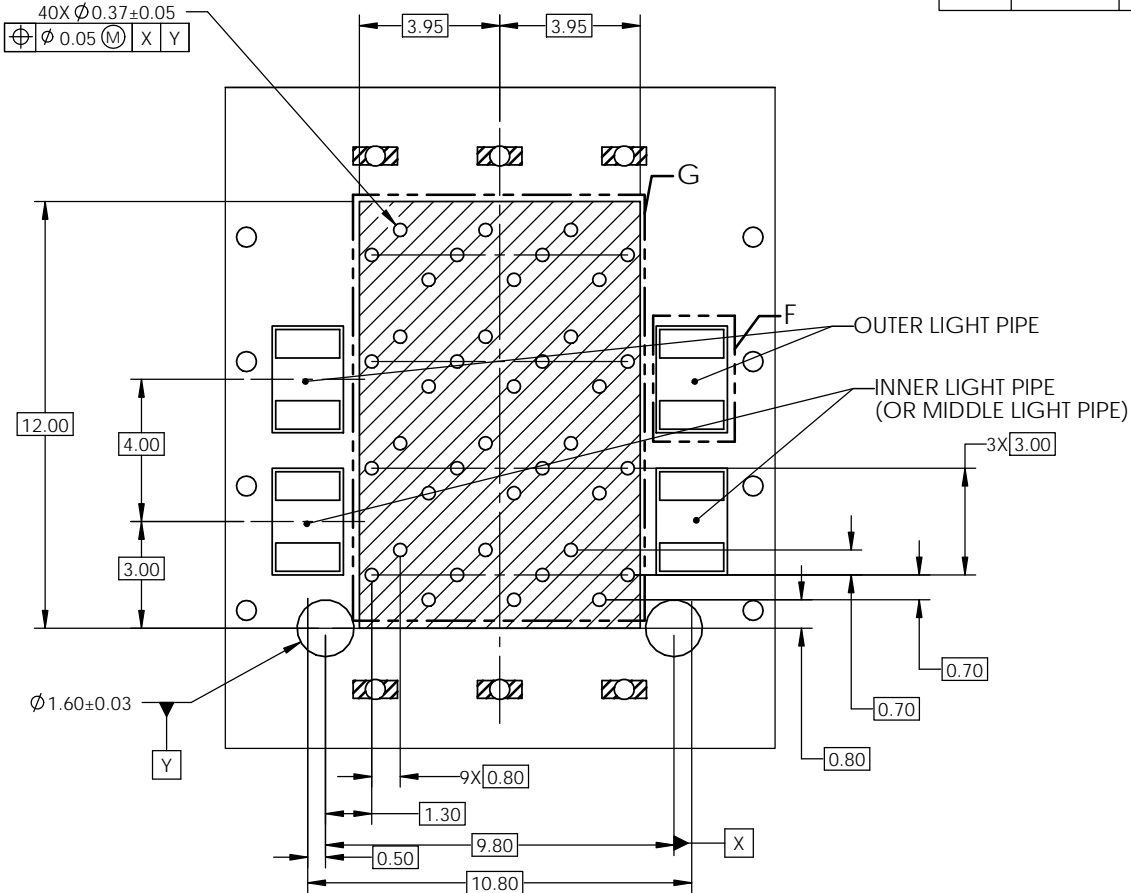


DETAIL D
SCALE 2 : 1

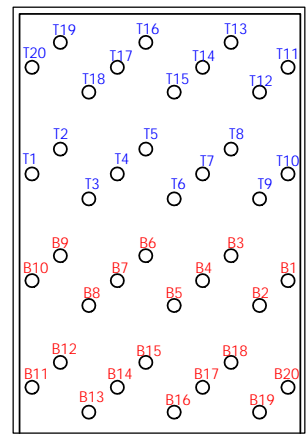
THIS DOCUMENT CONTAINS PROPRIETARY INFORMATION AND SUCH INFORMATION MAY NOT BE DISCLOSED TO OTHERS FOR ANY PURPOSE OR USED FOR MANUFACTURING PURPOSES WITHOUT WRITTEN PERMISSION FROM AMPHENOL CANADA CORP.

UNLESS SPECIFIED OTHERWISE DIMENSIONS ARE IN MILLIMETERS		DRAWN P. TOMA APR 03/19	Amphenol High Speed Interconnects A Division of Amphenol Corp. www.amphenolcanada.com
REFERENCE IN PARENTHESES		CHECKED J. SI APR 03/19	
GENERAL TOLERANCES		M.E. APP'D	
1 DECIMAL PLACE ±0.25		Q.A. APP'D	
2 DECIMAL PLACE ±0.15		DWG APP'D J. SI APR 03/19	2X4 SFP EXTREMEPORT WITH LIGHT PIPE OPTIONS AND EMI SPRING FINGER
3 DECIMAL PLACE N/A		MATERIAL AND FINISH SEE NOTES	
ANGULAR DEGREES ±1°		REF. ECN Exxxxx	DWG. NO. P-UE86-4G4620-X0X61
ENG. REL. NO.		THIRD ANGLE PROJECTION	DO NOT SCALE DRAWING
		CODE ID NO. 03554	DWG SIZE: A4
		SCALE: 1:1	SHEET 3 OF 5

REVISIONS				
REV.	ECN	DESCRIPTION	DATE	APPROVED
A		PROPOSAL	APR 03/19	J.SI
B		COMPLIANT PINS DIMENSION UPDATES	MAY 05/19	J.SI
-		-	-	-



DETAIL F
SCALE 10 : 1



DETAIL G
SCALE 5 : 1

DETAIL E
SCALE 5 : 1

THIS DOCUMENT CONTAINS PROPRIETARY INFORMATION AND SUCH INFORMATION MAY NOT BE DISCLOSED TO OTHERS FOR ANY PURPOSE OR USED FOR MANUFACTURING PURPOSES WITHOUT WRITTEN PERMISSION FROM AMPHENOL CANADA CORP.

UNLESS SPECIFIED OTHERWISE DIMENSIONS ARE IN MILLIMETERS REFERENCE IN PARENTHESES GENERAL TOLERANCES 1 DECIMAL PLACE ±0.25 2 DECIMAL PLACE ±0.15 3 DECIMAL PLACE N/A ANGULAR DEGREES ±1° ENG. REL. NO.	DRAWN	P. TOMA	APR 03/19	Amphenol High Speed Interconnects A Division of Amphenol Corp. www.amphenolcanada.com 2X4 SFP EXTREMEPORT WITH LIGHT PIPE OPTIONS AND EMI SPRING FINGER DWG. NO. P-UE86-4G4620-X0X61 REV B
	CHECKED	J. SI	APR 03/19	
	M.E. APP'D			
	Q.A. APP'D			
	DWG APP'D	J. SI	APR 03/19	
MATERIAL AND FINISH	SEE NOTES			
REF.	ECN Exxxxx			
THIRD ANGLE PROJECTION		DO NOT SCALE DRAWING		
CODE ID NO.	03554	DWG SIZE: A4	SCALE: 2:1	SHEET 5 OF 5