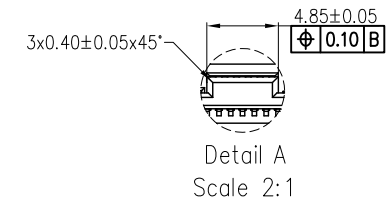
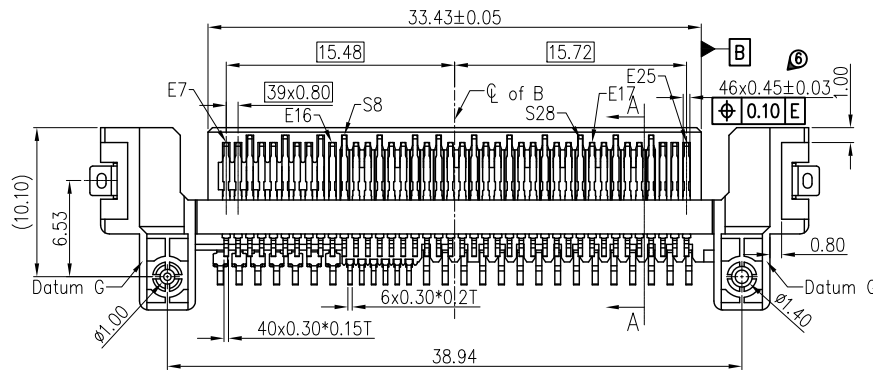
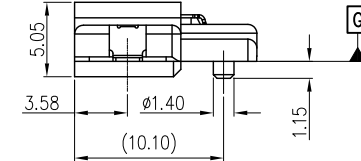
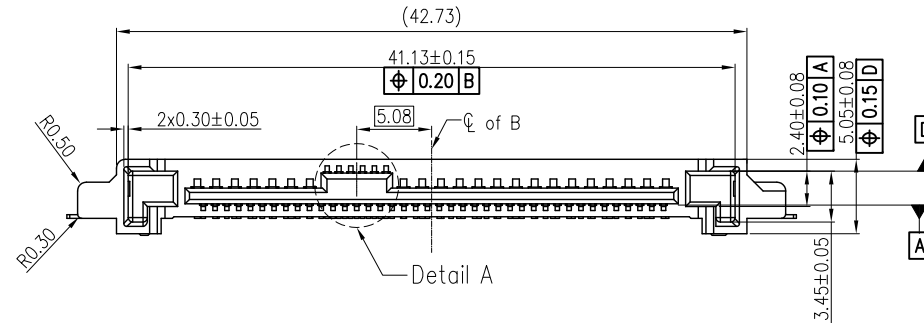
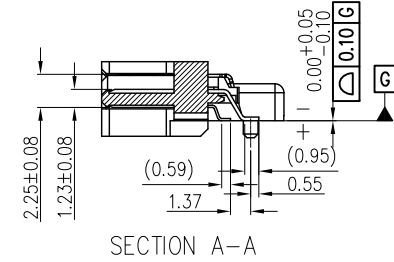
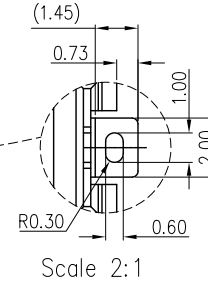
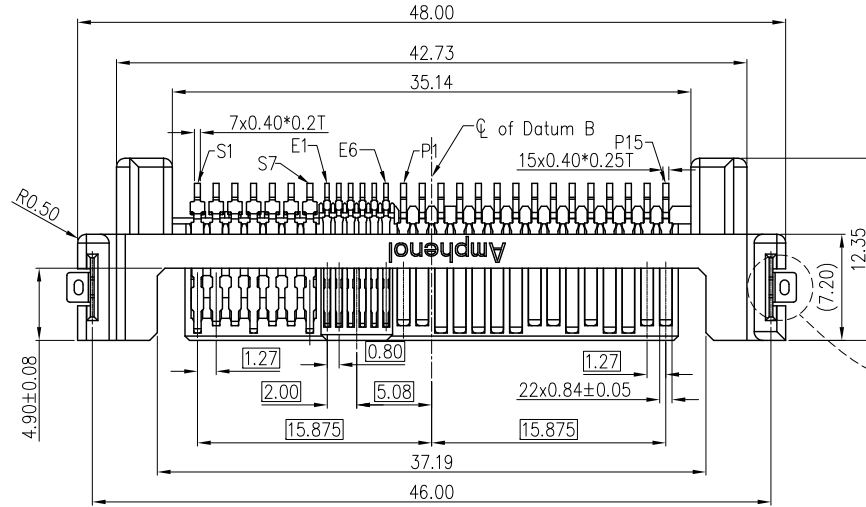


This document is the property of Amphenol Corporation and is delivered on the express condition that it is not to be disclosed, reproduced or used, in whole or in part, for manufacture or sale by anyone other than Amphenol Corporation without its prior consent, & that no right is granted to disclose or to use any information in this document.

CUSTOMER DRAWING

REVISIONS				
SYM	ECN	DESCRIPTION	DATE	APPROVED
1	HK----	FIRST RELEASE	8/12/13	Xiang
2	HK----	ADD PACKAGE SPEC	8/22/13	Xiang
3	HK----	UPDATED OPERATING TEMPERATURE	04/10/19	Xiang
4	HK----	UPDATED DRAWING	03/08/21	Xiang
5	HK----	ADD OPTIONS	12/14/21	Xiang
6	HK----	CORRECT THE DIMENSION	05/18/22	Xiang



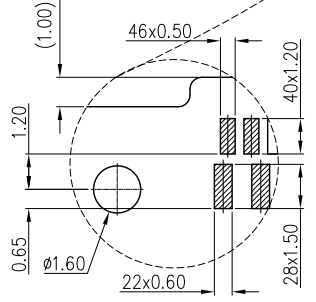
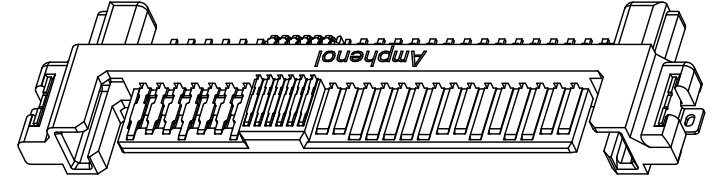
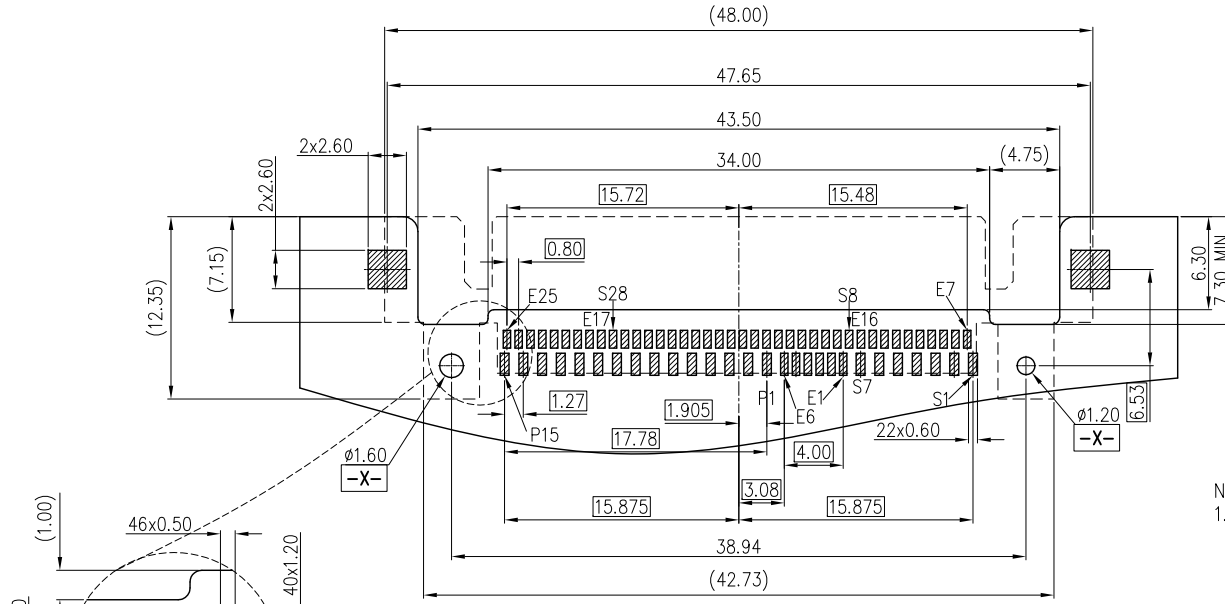
HF(无卤)	√
Non-HF(有卤)	

UNLESS OTHERWISE SPECIFIED TOLERANCES		APPROVAL		DATE		Amphenol	
U.S.	METRIC	DRAWN	Jimmy	03/08'21	Amphenol East Asia Limited		
.XX	±0.50	CHECKED			Customer Drawing For		
.XXX	±0.25	CHECKED			PCIe SAS R/A SMT Plug Connector		
FRACTIONS	±0.20	DRAWING FILE :		TITLE			
ANGLES	3°	PC: \\NETSERV\DRAWING\PSAS\PSASM21301502X-0		SIZE			
FOR MATERIALS AND FINISHES SEE NOTES		ANGLE OF PROJECTION		DRAWING NO.		REV.	
REMOVE SHARP EDGES		FIRST ANGLE		A3		PSAS-M213-015-XXX	
DIMENSIONS		U.S. INCHES		SCALE		SHEET 1 OF 3	
U.S. INCHES		NONE		SCALE		SHEET 1 OF 3	
(METRIC) (MM)							

This document is the property of Amphenol Corporation and is delivered on the express condition that it is not to be disclosed, reproduced or used, in whole or in part, for manufacture or sale by anyone other than Amphenol Corporation without its prior consent, & that no right is granted to disclose or to use any information in this document.

CUSTOMER DRAWING

REVISIONS				
SYM	ECN	DESCRIPTION	DATE	APPROVED
		REFER TO SHEET 1		



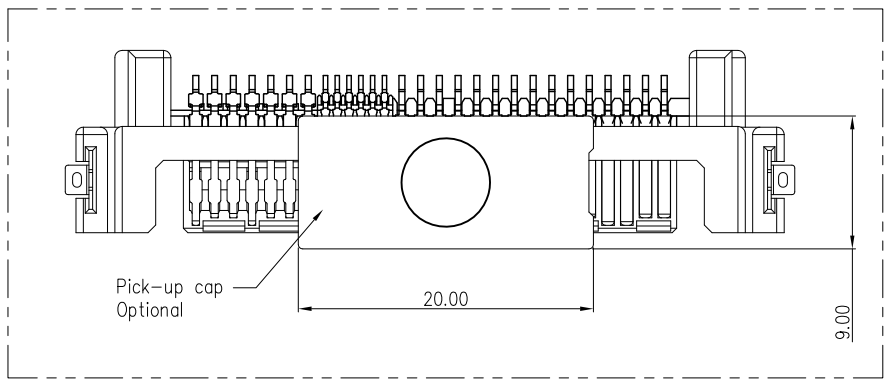
Scale 2:1

RECOMMENDED PCB LAYOUT
GENERAL TOLERANCE ±0.05

NOTES:

- Material housing: High temperature thermoplastic UL94V-0, color: black.
Contact: Brass
Plating: Refer to P/N system on mating area.
1.27~2.54um Nickel underplate overall.
2.54~5.08um matte pure Tin on solder tail.
- Electrical specification:
 - 2.1 Current rating: 1.5A (Power section).
 - 2.2 Contact resistance: 30mΩ MAX.
 - 2.3 Insulator resistance: 1000MΩ MIN.
 - 2.4 Dielectric withstanding voltage: 500 VAC
 - 2.5 Operation temperature: -55°C~+105°C
- Dimensioning shall be interpreted per ASME Y14.5M 1994
- Material should be fulfilled Amphenol SPEC.# S-SN-002, for halogen free products, also need to meet S-SN-004
- Order p/n system : PSAS-M213-015-X-XX

MATING AREA PLATING	PACKING STYLE
1- 0.76um MIN Au.	NIL- TRAY
2- 0.38um MIN Au.	TR- TAPE AND REEL WITH CAP
3- Gold Flash	NT- TAPE AND REEL W/O CAP
4- G/F Over PdNi	



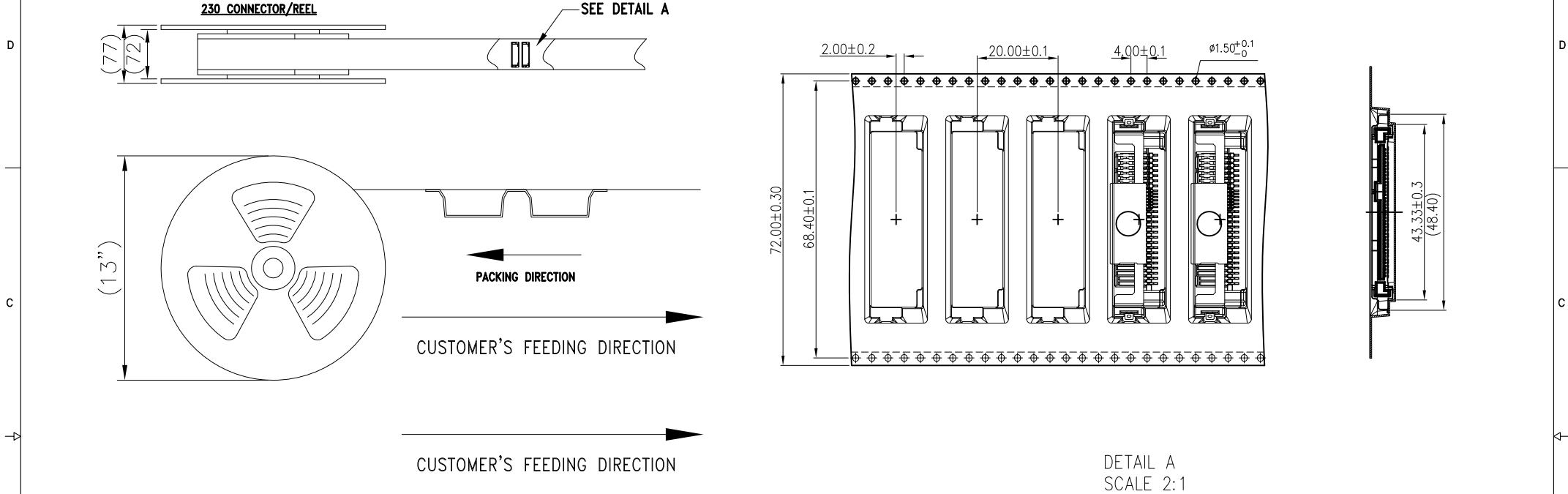
HF(无卤)	√
Non-HF(有卤)	

UNLESS OTHERWISE SPECIFIED TOLERANCES	U.S.	METRIC	APPROVAL	DATE	Amphenol Amphenol East Asia Limited
	.XX	0.50	DRAWN Jimmy	03/08'21	
	.XXX	0.25	CHECKED		
	.XXX	0.20	CHECKED		
FRACTIONS +/-			DRAWING FILE :		TITLE
ANGLES +/-			PC MATERIAL: 03080805/PSAS/PSAS0218018002-1		Customer Drawing For
FOR MATERIALS AND FINISHES SEE NOTES			REMOVE SHARP EDGES		PCle SAS R/A SMT Plug Connector
DIMENSIONS			ANGLE OF PROJECTION		SIZE DRAWING NO.
U.S.	INCHES				REV.
(METRIC)	(MM)				A3
SCALE			NONE		SHEET 2 OF 3

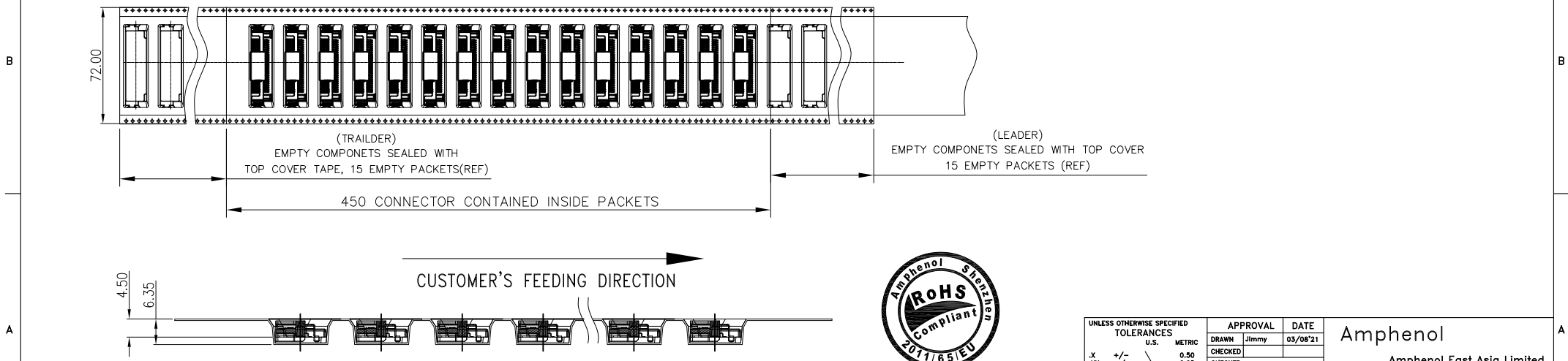
This document is the property of Amphenol Corporation and is delivered on the express condition that it is not to be disclosed, reproduced or used, in whole or in part, for manufacture or sale by anyone other than Amphenol Corporation without its prior consent, & that no right is granted to disclose or to use any information in this document.

CUSTOMER DRAWING

REVISIONS				
SYM	ECN	DESCRIPTION	DATE	APPROVED
REFER TO SHEET 1				



DETAIL A
SCALE 2:1



HF(无卤)	√
Non-HF(有卤)	

UNLESS OTHERWISE SPECIFIED TOLERANCES U.S. METRIC .X +/- 0.50 .XX +/- 0.25 .XXX +/- 0.20 FRACTIONS +/- ANGLES +/- 3° FOR MATERIALS AND FINISHES SEE NOTES	APPROVAL DRAWN Jimmy CHECKED CHECKED	DATE 03/08'21	Amphenol Amphenol East Asia Limited TITLE Customer Drawing For PCIe SAS R/A SMT Plug Connector	
	DRAWING FILE : PC_MATEX_D000000/P045/P045M0218018002-1			SIZE A3
	REMOVE SHARP EDGES DIMENSIONS U.S. INCHES (METRIC) (MM)			ANGLE OF PROJECTION
	SCALE NONE			DRAWING NO. PSAS-M213-015-XXX REV. 6
SHEET 3 OF 3				