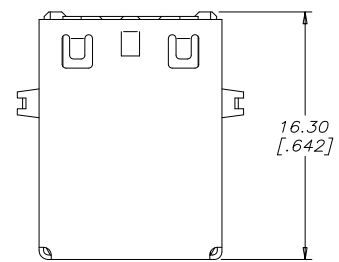


REVISIONS			
REV	DESCRIPTION, ECN, EAR NO.	DATE	APP'D
F	PRODUCT DRAWING (EAR 14402)	NOV18/15	K.L.



TOP VIEW

AMPHENOL PART NUMBER: U E 2 7 - B C X 4 - X X X

SERIES _____
 UE27=RECEPTACLE

TYPE _____
 B=SERIES B

STYLE _____
 RIGHT ANGLE PCB TAIL

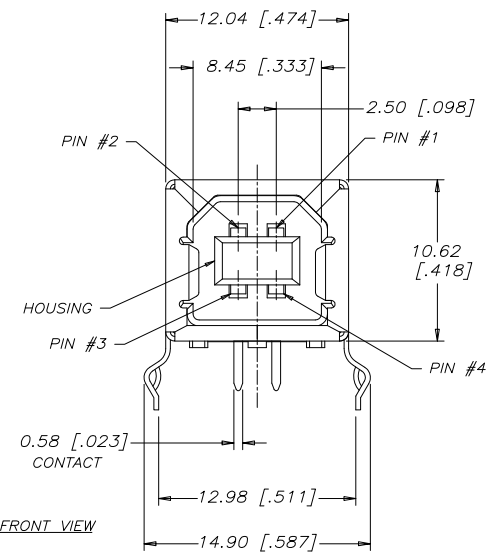
CONTACT PLATING OPTION _____
 5=30µ" [0.76µm] GOLD OVER 40µ" [1.02µm] MIN. NICKEL ON CONTACT MATING AREA.
 100µ" [2.54µm] MATTE TIN PLATING ON CONTACT TAILS.
 7=GOLD FLASH OVER 40µ" [1.02µm] MIN. NICKEL ON CONTACT MATING AREA.
 100µ" [2.54µm] MATTE TIN PLATING ON CONTACT TAILS.

MODIFIER _____
 0= PBT POLYESTER HOUSING MATERIAL
 H= STANDARD PRODUCT- HIGH TEMP HOUSING (SEE NOTE 2)

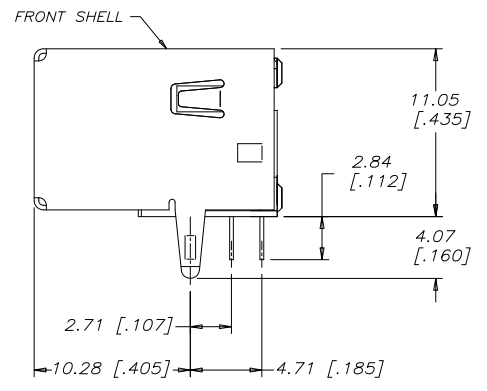
SHIELDING OPTION _____
 0=NO REAR SHIELD (SEE SHEET 1 OF 2)
 3=WITH REAR SHIELD (SEE SHEET 2)

HOUSING COLOUR: _____
 1=BLACK
 2=BEIGE (AVAILABLE IN STANDARD TEMP. PBT ONLY)

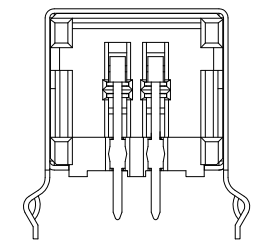
NUMBER OF CONTACTS _____
 4=4 CONTACTS



FRONT VIEW



SIDE VIEW



REAR VIEW
(WITHOUT REAR SHELL)

NOTES:

- MATERIALS: RoHS COMPLIANT PER EU DIRECTIVE 2011/65/EU AND AMENDMENTS.
 HOUSING: HIGH TEMPERATURE RESISTANT THERMOPLASTIC OR POLYESTER (SEE AMPHENOL PART NUMBER SYSTEM FOR MATERIAL AND COLOUR OPTIONS), FLAMMABILITY UL94V-0.
 CONTACTS: PHOSPHOR BRONZE.
 FRONT SHELL: COPPER ALLOY.
 REAR SHELL (WHEN APPLICABLE): STEEL
 CONTACT PLATING: SEE AMPHENOL PART NUMBER SYSTEM FOR PLATING OPTIONS.
 SHELL PLATING: NICKEL OVER COPPER UNDERPLATE.
- THE FINISHED CONNECTOR UE27-BCX4-XXH SHALL WITHSTAND A 260°C SOLDER REFLOW PROFILE WITHOUT DAMAGE OR DISTORTION (PEAK TEMPERATURE 260°C FOR 10s).
- OPERATING TEMPERATURE: -40°C TO +85°C
- CURRENT & VOLTAGE RATING: 1.5A, 30 VAC (rms) MAXIMUM
- CONTACT RESISTANCE (LLCR): 30 MILLIOHMS MAXIMUM
- INSULATION RESISTANCE: 1000 MEGOHMS MINIMUM
- DIELECTRIC WITHSTANDING VOLTAGE: 500 VAC
- DURABILITY: 1500 MATING CYCLES



UNLESS SPECIFIED OTHERWISE	DRAWN MT CHEN	JUL31/06
PRIMARY UNITS MILLIMETERS	CHECKED L. CHAN	JUL31/06
SECONDARY INCHES	M.E. APP'D	
REFERENCE IN PARENTHESES	Q.A. APP'D	
GENERAL TOLERANCES	DWG APP'D	
1 DECIMAL PLACE	ENG. REL. NO.	
2 DECIMAL PLACES ±0.30	REF. EAR 12970	
3 DECIMAL PLACES	THIRD ANGLE PROJECTION	DO NOT SCALE DRAWING
ANGULAR DEGREES		

Amphenol Canada Corp.
www.amphenolcanada.com

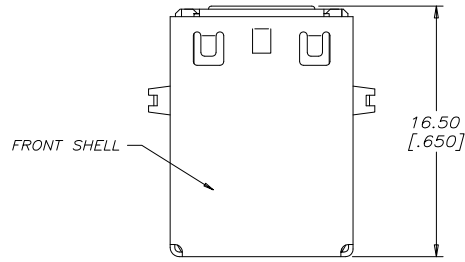
UNIVERSAL SERIAL BUS RECEPTACLE,
 SERIES B, RIGHT ANGLE PCB TAIL,
 HOUSING, PLATING & REAR SHELL
 OPTIONS, RoHS COMPLIANT

DWG NO. P-UE27-BCX4-XXX

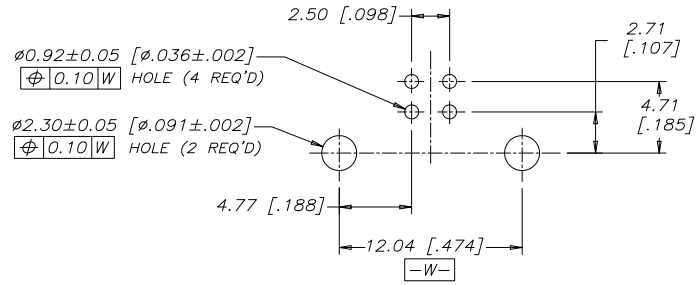
REV F

CODE ID NO. 03554 | DWG SIZE | SCALE 4:1 | SHEET 1 OF 2

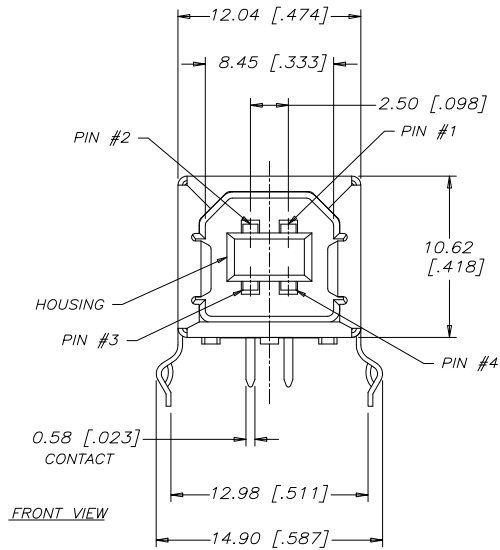
REVISIONS			
REV	DESCRIPTION, ECN, EAR NO.	DATE	APP'D
F	PRODUCT DRAWING (EAR 14402)	NOV18/15	K.L.



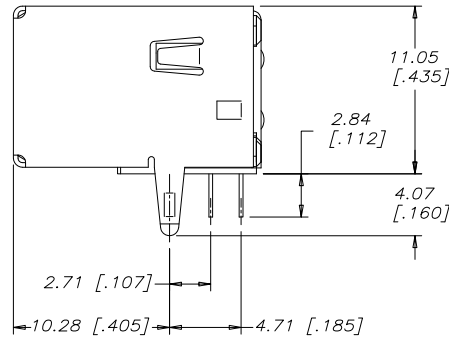
TOP VIEW



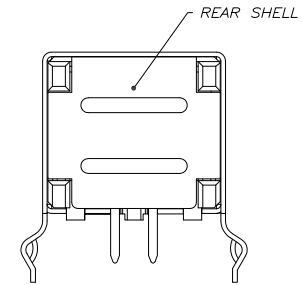
RECOMMENDED PC BOARD LAYOUT
(COMPONENT SIDE OF BOARD)
APPLIES WITH OR WITHOUT REAR SHELL



FRONT VIEW



SIDE VIEW



REAR VIEW
(WITH REAR SHELL)

CONNECTOR VIEWS FOR UE27-BCX4-X3X - WITH REAR SHELL



UNLESS SPECIFIED OTHERWISE	DRAWN MT CHEN	JUL31/06
PRIMARY UNITS MILLIMETERS	CHECKED L. CHAN	JUL31/06
SECONDARY INCHES	M.E. APP'D	
REFERENCE IN PARENTHESES	Q.A. APP'D	
GENERAL TOLERANCES	DWG APP'D	
1 DECIMAL PLACE	ENG. REL. NO.	
2 DECIMAL PLACES ±0.30	REF. EAR 12970	
3 DECIMAL PLACES	THIRD ANGLE PROJECTION	DO NOT SCALE DRAWING
ANGULAR DEGREES		

Amphenol Canada Corp.
www.amphenolcanada.com

UNIVERSAL SERIAL BUS RECEPTACLE,
SERIES B, RIGHT ANGLE PCB TAIL,
HOUSING, PLATING & REAR SHELL
OPTIONS, RoHS COMPLIANT

DWG NO.	REV
P-UE27-BCX4-XXX	F
CODE ID NO. 03554	DWG SIZE
SCALE 4:1	SHEET 2 OF 2