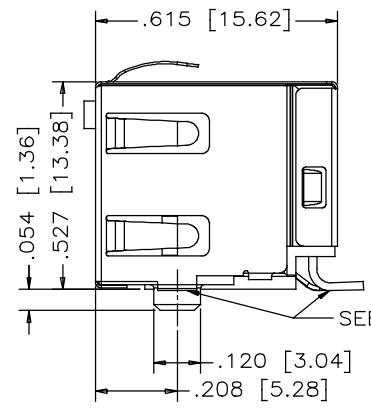
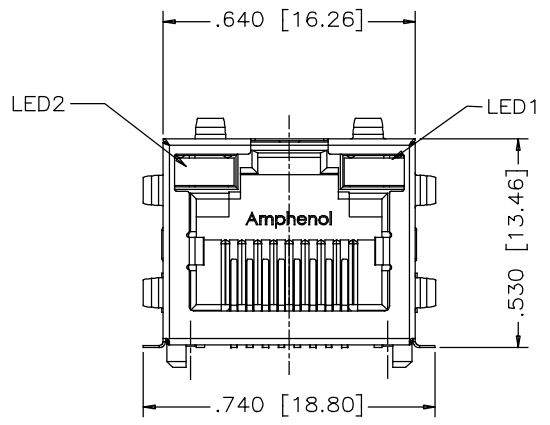
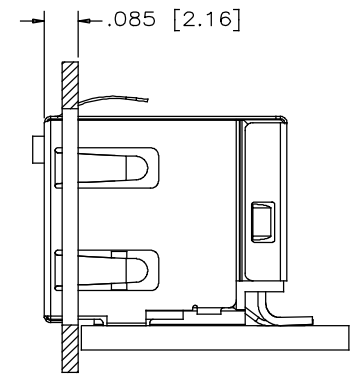
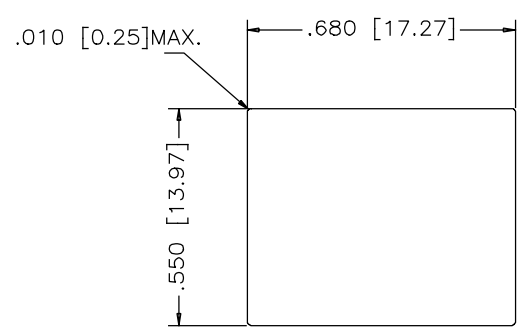
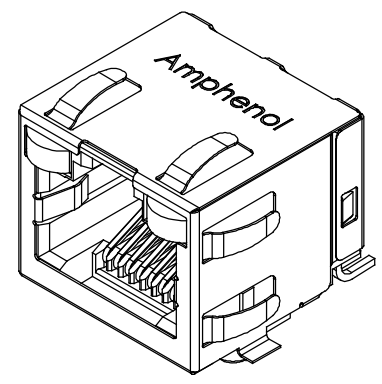
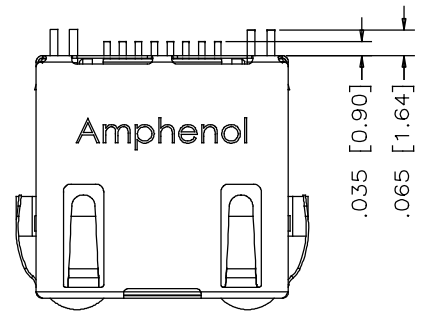
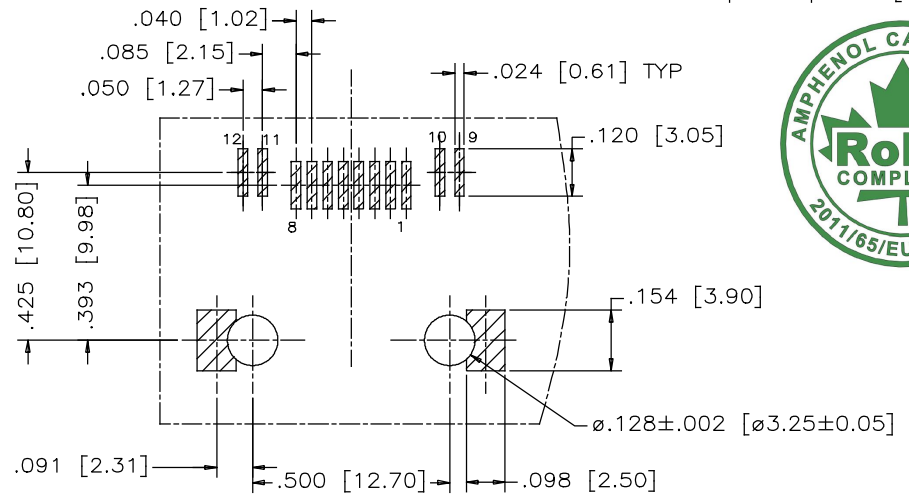
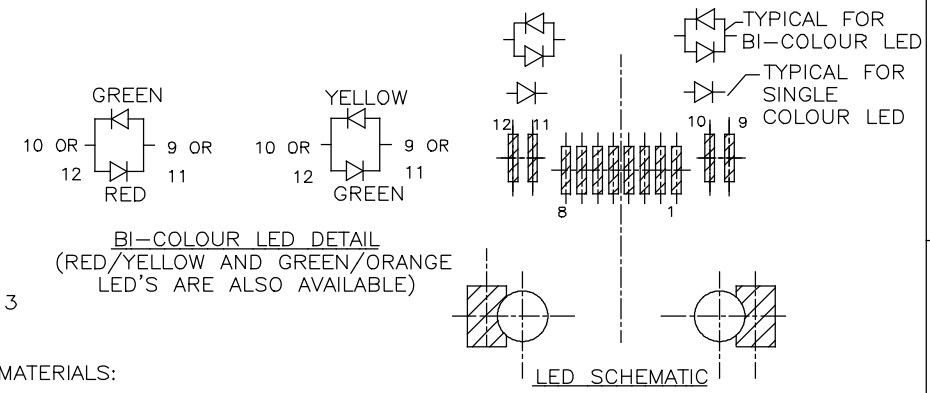


REVISIONS			
REV	DESCRIPTION, ECN, EAR NO.	DATE	APP'D
A	PROPOSAL	JUN 23/14	L.CHAN
B	ADD NEW LED COLOUR OPTION PER EAR# RJ17177	OCT 09/17	L.CHAN



**RECOMMENDED PANEL CUT-OUT**



**RECOMMENDED P.C.B. LAYOUT  
(COMPONENT SIDE OF BOARD)**

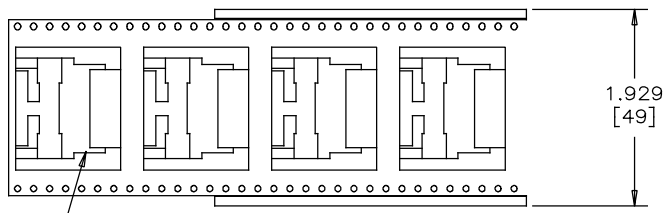


- 1, MATERIALS:
- HOUSING: HIGH TEMPERATURE THERMOPLASTIC  
FLAMMABILITY RATING UL 94V-0  
COLOR: BLACK
  - CONTACTS: PHOSPHOR BRONZE
  - PLATING: GOLD PLATING ON MATING SURFACE REFER TO AMPHENOL PART SYSTEM.  
50 u" [1.27 MICRONS] MIN NICKEL UNDERPLATE.  
100 u" [2.54 MICRONS] MIN MATTE-TIN OR GOLD FLASH ON CONTACT TAILS.
  - SHIELD: STAINLESS STEEL WITH MATTE TIN PLATING.
- 2, ALLOW 0.6% LED DEFECT RATE AFTER 260° IR REFLOW PROCESS
- 3, COPLANARITY SPECIFICATION:  
THE MAXIMUM GAP BETWEEN ALL TERMINAL TAILS IS 0.10 [0.004]
- PART NUMBER: RJCSE-X38X-01X
- GOLD PLATING OPTION  
 2 = 6u"    4 = 30u"  
 3 = 15u"    5 = 50u"  
 REFER TO LED OPTIONS DRAWING

UNLESS SPECIFIED OTHERWISE	DRAWN G.HSIA	JUN23/14	Amphenol Canada Corp. www.amphenolcanada.com
PRIMARY UNITS INCHES	CHECKED		
SECONDARY MILLIMETERS	M.E. APP'D		SINGLE PORT SURFACE MOUNT JACK 8 POSITION, 8 CONTACTS, SHIELDED, WITH LED OPTION- RoHS COMPLIANT
REFERENCE IN PARENTHESES	Q.A. APP'D		
1 DECIMAL PLACE	DWG APP'D L.CHAN	JUN23/14	DWG NO.
2 DECIMAL PLACES	ENG. REL NO.		P-RJCSE-X38X-01X
3 DECIMAL PLACES ±0.015	REF.		
ANGULAR DEGREES	THIRD ANGLE PROJECTION	DO NOT SCALE DRAWING	REV B
CODE ID NO. 03554		DWG SIZE	SCALE
SHEET 1 OF 2			

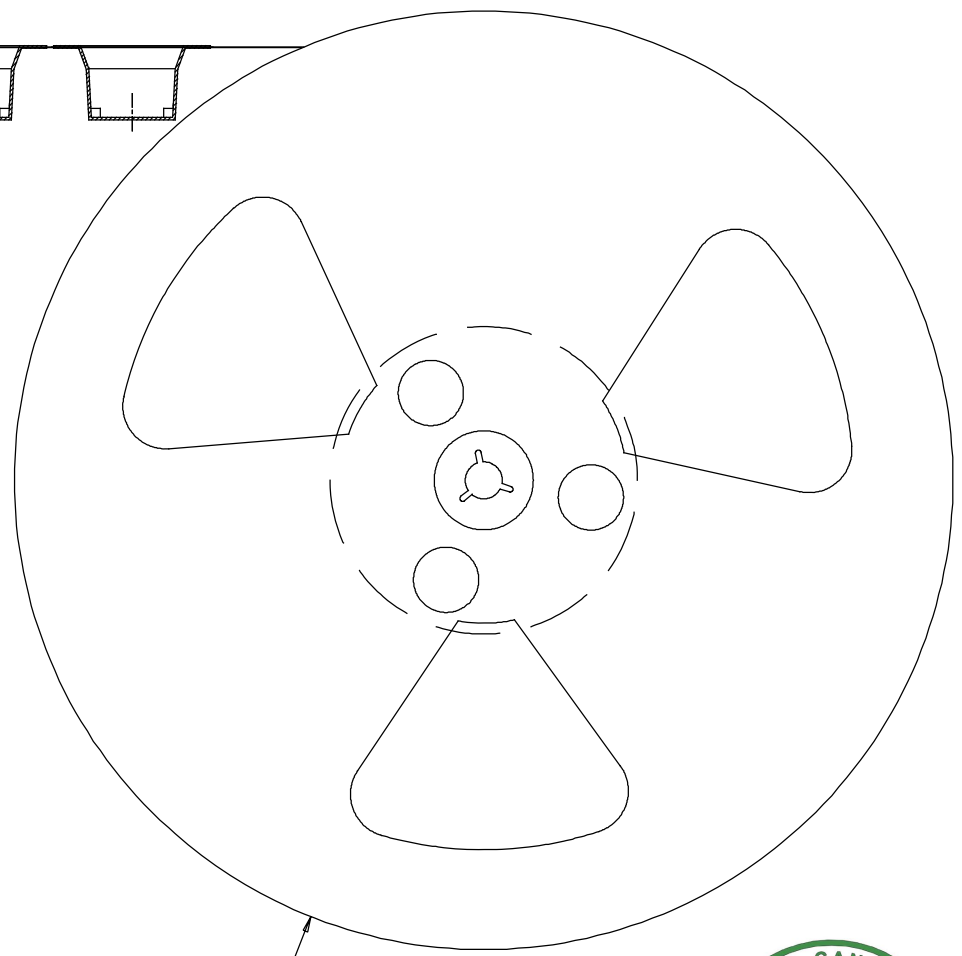
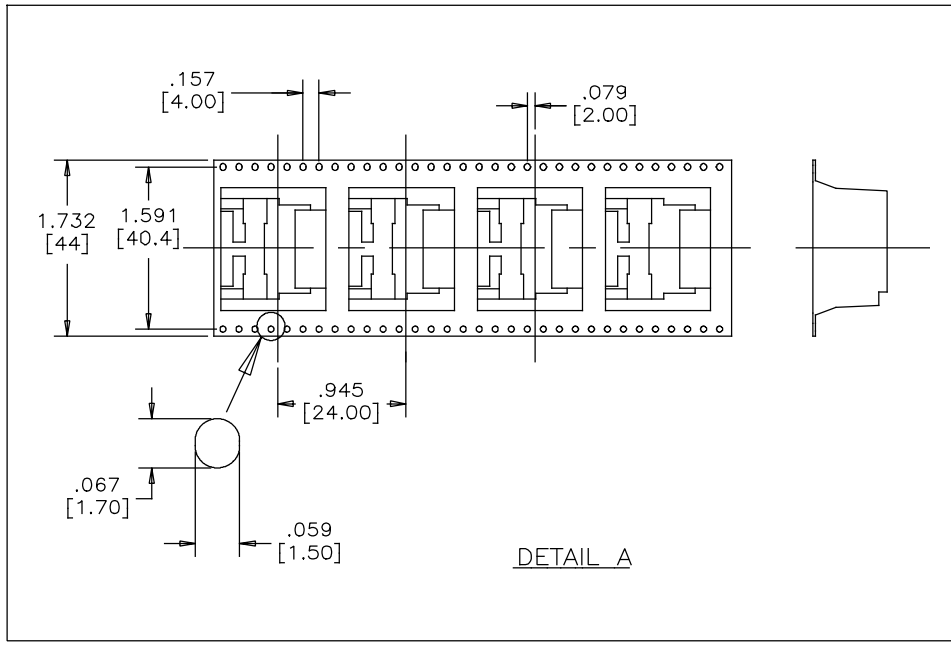
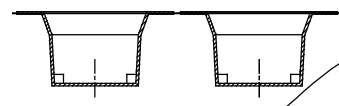
REVISIONS			
REV	DESCRIPTION, ECN, EAR NO.	DATE	APP'D
A	PROPOSAL	JUN 23/14	L.CHAN
B	ADD NEW LED COLOUR OPTION PER EAR# RJ17177	OCT 09/17	L.CHAN

← DIRECTION OF CONNECTOR LOADED INTO MACHINE.  
LEADS FACING FRONT SIDE



TOP VIEW  
(COVER TAPE NOT SHOWN)

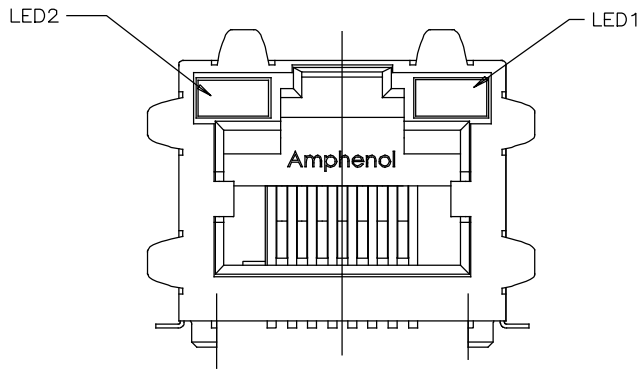
SEE DETAIL 'A'



- PACKAGING NOTES:
- ONE REEL SHOULD HOLD 150 CONNECTORS.
  - 15 EMPTY CAVITIES FOR CARRIER TAPE LEADER & 10 EMPTY CAVITIES FOR CARRIER TAPE TRAILER.
  - A FULLY LOADED CARTON SHOULD CONTAIN 5 REELS OF CONNECTORS.

UNLESS SPECIFIED OTHERWISE	DRAWN G.HSIA	JUN23/14
PRIMARY UNITS INCHES	CHECKED	
SECONDARY MILLIMETERS	M.E. APP'D	
REFERENCE IN PARENTHESES	Q.A. APP'D	
	DWG APP'D L.CHAN	JUN23/14
	ENG. REL NO.	
1 DECIMAL PLACE	REF.	
2 DECIMAL PLACES		
3 DECIMAL PLACES ±0.015		
ANGULAR DEGREES ±1.5'		
	THIRD ANGLE PROJECTION	
	DO NOT SCALE DRAWING	

Amphenol Canada Corp. www.amphenolcanada.com	
SINGLE PORT SURFACE MOUNT JACK 8 POSITION, 8 CONTACTS, SHIELDED, WITH LED OPTION- RoHS COMPLIANT	
DWG NO.	P-RJCSE-X38X-01X
CODE ID NO. 03554	DWG SIZE SCALE SHEET 2 OF 2



TYPICAL FOR SINGLE & MULTI-PORT



REVISIONS				
SYM	ZONE	ECN, ERN NO.	DATE	APPRD.
A		PER ECN E07065	MAR14/07	L.CHAN
B		PER ECN E07131	MAY10/07	L.CHAN
C		ADD LED Y OPTION	JUL04/12	L.CHAN
D		ADD NEW ROHS STAMP	DEC28/12	L.CHAN
E		ADD LED R OPTION	JUN25/13	L.CHAN
F		ADD LED H OPTION	JUN25/13	L.CHAN

LED SPECIFICATIONS:  
 FORWARD VOLTAGE: 2.1 VOLTS TYP.  
 REVERSE VOLTAGE: 5.0 VOLTS MIN.  
 LUMINOUS INTENSITY: 0.5 mCd MIN.  
 (AT If=2mA)  
 STORAGE TEMPERATURE: -20° to 85° C  
 LEAD SOLDERING TEMPERATURE: 260° C  
 (5 SEC, 1/16" FROM CASE)  
 PLATING ON TAILS: TIN OR TIN/COPPER  
 ALLOY OVER SILVER

PRIMARY COLOR FOR BI-COLOR  
 LEDS IN STANDARD ANODE/  
 CATHODE CONFIGURATION IS:  
 RED-GREEN= RED  
 RED-YELLOW= RED  
 GREEN-YELLOW= GREEN  
 GREEN-ORANGE= GREEN

**LEGEND**

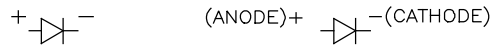
BiC=BI-COLOR LED  
 LOWC=LOW CURRENT LED  
 YE=YELLOW  
 GR=GREEN  
 RD=RED  
 OR=ORANGE

**NOTE:**

THE TWO DIGITS PRECEDING THE  
 ADDITIONAL LED CODE MUST BE  
 USED IN THE PART NUMBER, WHEN  
 ORDERING ANY OF THE ADDITIONAL  
 LED OPTIONS.

**EXAMPLE:**

PART NUMBER RJCSE-538X



LED COLOR CODE

CODE	LED 2 (LEFT)	LED 1 (RIGHT)	CODE	LED 2 (LEFT)	LED 1 (RIGHT)	CODE	LED 2 (LEFT)	LED 1 (RIGHT)
0	BLOCKED	BLOCKED	9	GREEN	BLOCKED	J	BiC RD/GR	YELLOW
1	YELLOW	GREEN	A	BiC GR/YE	BiC GR/YE	K	YELLOW	BiC GR/OR
2	BLOCKED	GREEN	B	BiC RD/GR	BiC RD/GR	L	BiC GR/YE	RED
3	YELLOW	BLOCKED	C	BiC RD/GR	BiC GR/YE	M	RED	YELLOW
4	GREEN	YELLOW	D	GREEN	BiC GR/YE	P	GREEN	BiC RD/GR
5	GREEN	GREEN	E	YELLOW	BiC GR/YE	R	BiC GR/OR	GREEN
6	YELLOW	YELLOW	F	BiC GR/YE	YELLOW	T	RED	RED
7	RED	GREEN	G	BiC GR/OR	BiC GR/OR	V	BiC RD/GR	GREEN
8	GREEN	RED	H	BiC GR/YE	GREEN	W	ADDITIONAL	OPTIONS

**EXAMPLE OF ADDITIONAL LED OPTIONS:**

PART NUMBER RJCSE-538W-01Y

ADDITIONAL LED COLOR CODE  
 DENOTES ADDITIONAL LED OPTIONS TO BE USED

CODE	LED 2 (LEFT)	LED 1 (RIGHT)	CODE	LED 2 (LEFT)	LED 1 (RIGHT)	CODE	LED 2 (LEFT)	LED 1 (RIGHT)
0	DO NOT USE		5	BLOCKED	YELLOW	A	LOWC YE	LOWC YE
1	RED	BLOCKED	6	RED	BiC RD/GR	B	LOWC YE	LOWC GR
2	BiC GR/OR	YELLOW	7	BLOCKED	BiC RD/GR	C	LOWC GR	LOWC YE
3	YELLOW	RED	8	BiC RD/GR	BLOCKED	D	LOWC GR	LOWC GR
4	BLOCKED	RED	9	BiC GR/YE	BLOCKED	M	LOWC RD	LOWC YE
						E	GREEN	ORANGE
						F	ORANGE	GREEN
						G	BiC OR/GR	BiC OR/GR
						R	BiC GR/RD	BiC GR/RD
						H	BiC YI/GR	BiC YI/GR

DRAWN J.OUYANG	DATE MAR14/07
DESIGNED	
CHECKED CHIGOW.XU	MAR14/07
I. E. APPRD. YM.Lee	MAR14/07
Q. A. APPRD.	
DWG. APPRD.	
ENG. REL. NO. ECN E07065	
REF. EAR A070503	
DIMENSIONS ARE IN INCHES [mm]	CODE ID. NO. 03554

<b>Amphenol Canada Corp.</b>	
TITLE LED OPTIONS FOR RJCSE, SINGLE OR MULTI-PORT CONNECTORS - RoHS COMPLIANT	
DWG. DRAWING NO. <b>P-RJCSE-LEDS</b>	REV. <b>F</b>
SCALE	WT. _____ SURF. _____ SHEET 1 OF 1

THIS DOCUMENT CONTAINS PROPRIETARY INFORMATION AND SUCH INFORMATION MAY NOT BE DISCLOSED TO OTHERS FOR ANY PURPOSE OR USED FOR MANUFACTURING PURPOSES WITHOUT WRITTEN PERMISSION FROM AMPHENOL CANADA CORP.