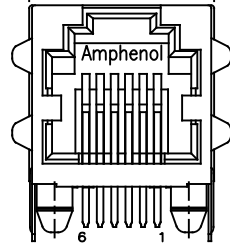
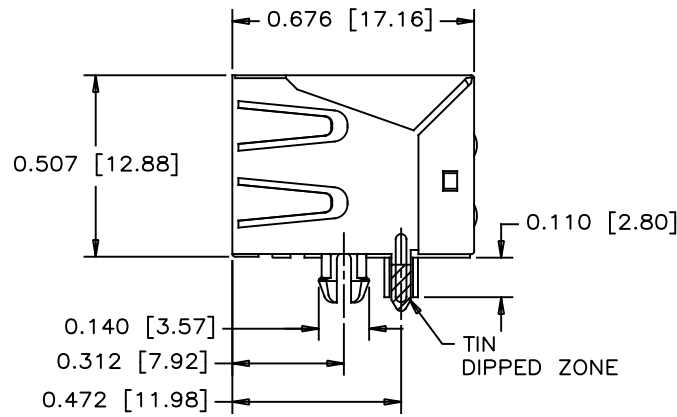


0.517 [13.12]

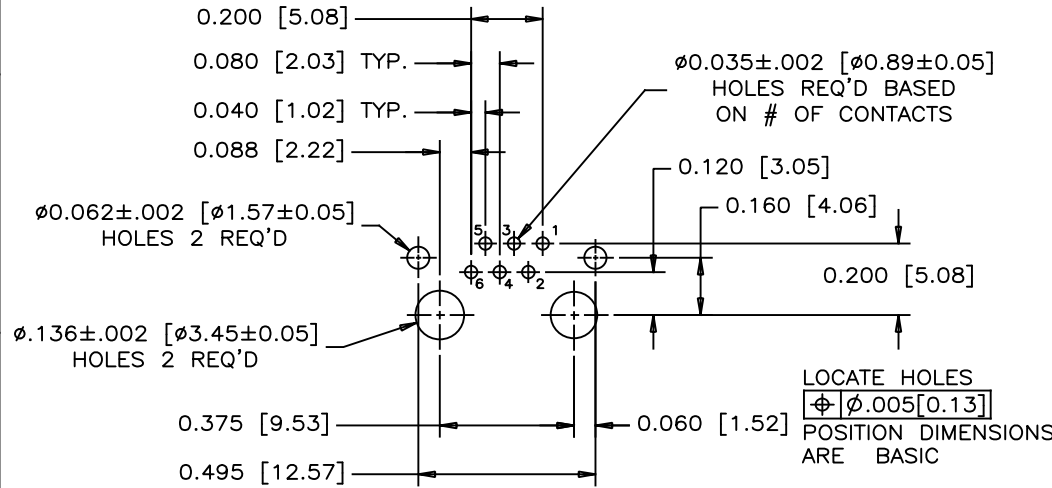


FRONT VIEW



SIDE VIEW

REVISIONS			
REV	DESCRIPTION, ECN, EAR NO.	DATE	APP'D
A	PROPOSAL DRAWING	MAR23/21	KELVIN.T



RECOMMENDED P.C.B. LAYOUT

1. MATERIALS:  
HOUSING:

HIGH TEMPERATURE ENGINEERING THERMOPLASTIC  
FLAMMABILITY RATING UL 94V-0, BLACK

CONTACTS:

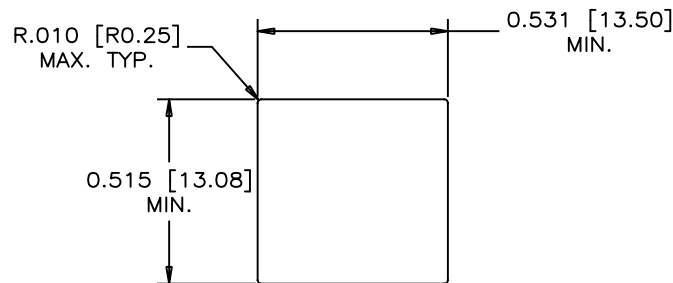
PHOSPHOR BRONZE  
PLATING: SELECTIVE GOLD PLATING ON MATING SURFACES  
SEE AMPHENOL PART NUMBER FOR DETAIL.  
50  $\mu$ " [1.27 MICRONS] MIN. NICKEL UNDERPLATE  
100  $\mu$ " [2.54 MICRONS]  
MIN. MATTE TIN ON CONTACT TAILS.

SHIELD:

COPPER ALLOY  
PLATING: NICKEL WITH TIN DIPPED PCB TAILS.

2. ENVIRONMENTAL:

OPERATING TEMPERATURE: -55°C to 85 °C



RECOMMENDED PANEL CUTOUT

PART NUMBER: RJE01-XX2-01

GOLD PLATING

1 = 6  $\mu$ "  
 6 = 50  $\mu$ "  
 G = 15  $\mu$ "  
 J = 30  $\mu$ "

CONTACTS:

2 = 2 CONTACTS LOADED IN POSITION 3 & 4.  
 4 = 4 CONTACTS LOADED IN POSITION 2 TO 5.  
 6 = 6 CONTACTS LOADED IN POSITION 1 TO 6.

UNLESS SPECIFIED OTHERWISE	DRAWN	STEVE.X	MAR25/21	Amphenol Canada Corp. Commercial Products
PRIMARY UNITS INCHES	CHECKED	L.CHAN	MAR25/21	
SECONDARY MILLIMETERS	M.E. APP'D			MODULAR JACK, SINGLE PORT, 6 POSITION, CONTACT OPTIONS SHIELDED WITH SIDE TABS- RoHS COMPLIANT
REFERENCE IN PARENTHESES	Q.A. APP'D			
GENERAL TOLERANCES FOR MM	DWG APP'D			DWG NO. P-RJE01-XX2-01
1 DECIMAL PLACE $\pm 0.015$	ENG. REL. NO.			
2 DECIMAL PLACE $\pm 0.010$	REF.			REV A
3 DECIMAL PLACE $\pm 0.005$	THIRD ANGLE PROJECTION			
ANGULAR DEGREES $\pm 1.5^\circ$	DO NOT SCALE DRAWING			CODE ID NO. 03554   DWG SIZE: C   SCALE: N/A   SHEET 1 OF 1