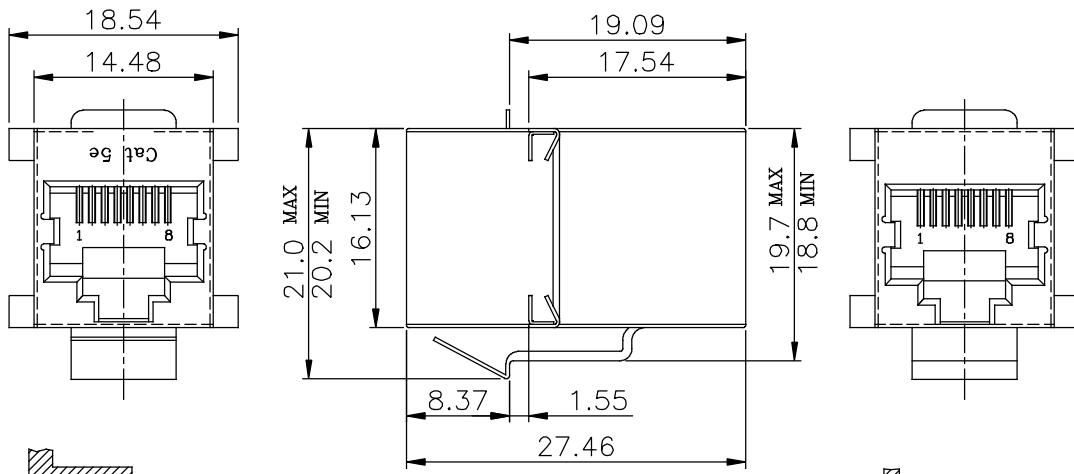


| REVISIONS |              |            |        |
|-----------|--------------|------------|--------|
| REV       | ECN, ERN NO. | DATE       | APPRD. |
| B         | PROPOSAL     | JAN 28,08  | L.CHAN |
| C         | PROPOSAL     | JUNE 11,12 | L.CHAN |
| D         | PROPOSAL     | JUNE 15,12 | L.CHAN |



MATERIALS:

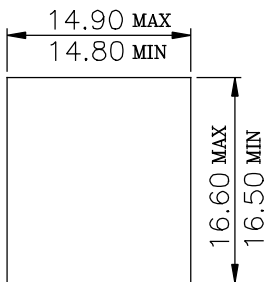
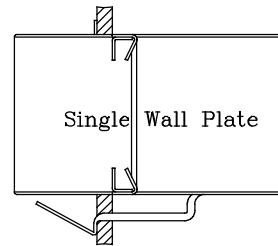
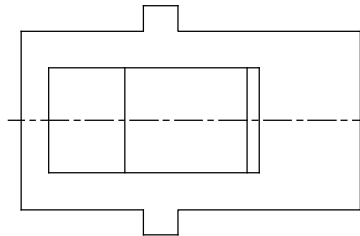
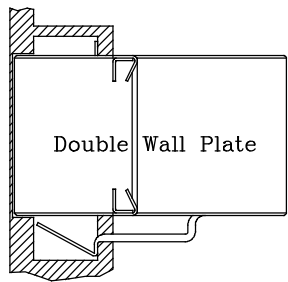
HOUSING: ENGINEERING THERMOPLASTIC, UL 94V-0  
COLOUR: BLACK

SHIELD: STAINLESS STEEL

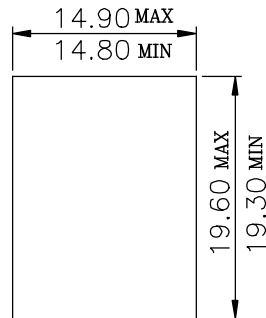
CONTACT: PHOSPHOR BRONZE

PLATING: REFER TO PART NUMBER FOR GOLD  
THICKNESS ON MATING SURFACE  
50u" [1.27 MICRONS]

MIN. NICKEL UNDERPLATE



Front Panel Jack Only Clearance  
W/O Latch Feature



Single Panel-Latch Clearance  
Panel Thickness 0.062 inch

AMPHENOL PART NUMBER:

R J E 1 7 - 2 8 8 - 1 X 1 3

- 1 = GOLD FLASH
- 2 = 15u" GOLD
- 3 = 30u" GOLD
- 4 = 50u" GOLD

|                   |              |      |           |
|-------------------|--------------|------|-----------|
| DRAWN             | LUO W W      | DATE | NOV.08/07 |
| DESIGNED          |              |      |           |
| CHECKED           | L.CHAN       | DATE | NOV.08/07 |
| I. E. APPRD.      | JEFF.SUN     | DATE | NOV.08/07 |
| Q. A. APPRD.      | Boris.Yuan   | DATE | NOV.08/07 |
| DWG. APPRD.       |              |      |           |
| ENG. REL. NO.     |              |      |           |
| REF.              |              |      |           |
| DIMENSIONS ARE IN | CODE ID. NO. |      |           |
| M M               | 03554        |      |           |

Amphenol Canada Corp.

TITLE MODULAR JACK, 8 POSITION, 8 CONTACTS, WITH SHIELD, (WITH PANEL LATCH), CAT 5E - RoHS COMPLIANT

DWG. DRAWING NO. P-RJE17-288-1X13 REV. D

SCALE: WT. \_\_\_\_\_ SURF. \_\_\_\_\_ SHEET 1 OF 1

THIS DOCUMENT CONTAINS PROPRIETARY INFORMATION AND SUCH INFORMATION MAY NOT BE DISCLOSED TO OTHERS FOR ANY PURPOSE OR USED FOR MANUFACTURING PURPOSES WITHOUT WRITTEN PERMISSION FROM AMPHENOL CANADA CORP.