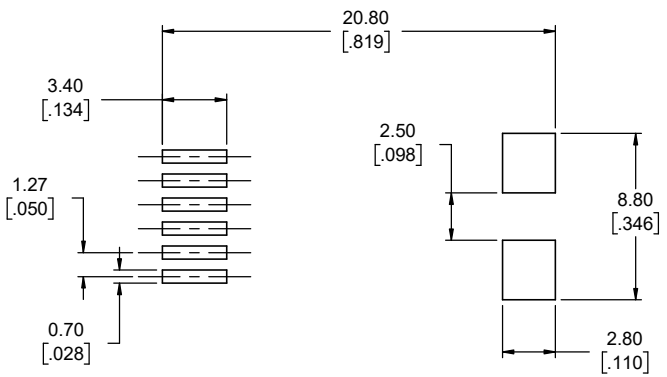
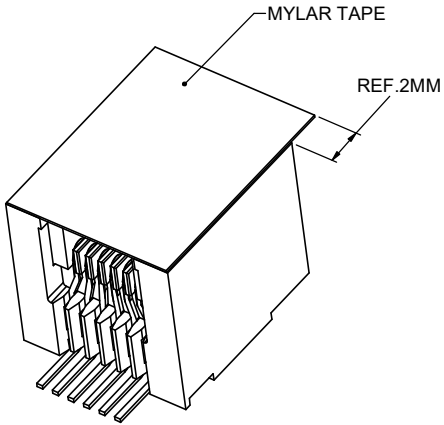
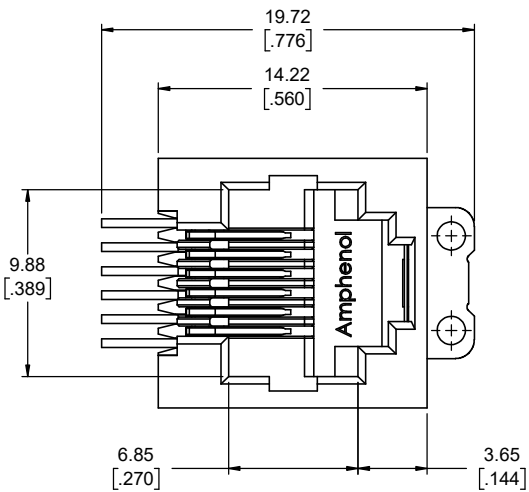
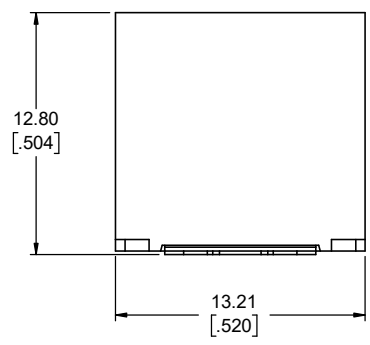
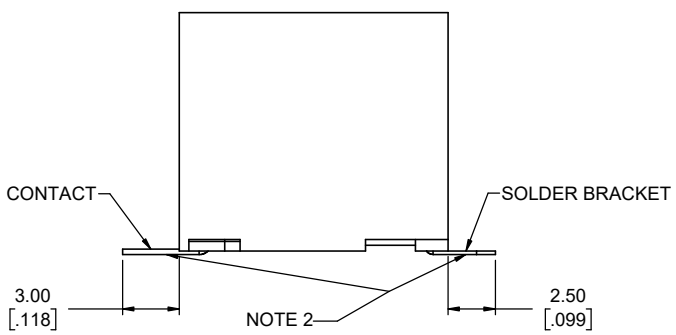


REVISIONS			
REV	DESCRIPTION, ECN, EAR NO.	DATE	APP'D
C	UPDATE THE TAPE AND PACKAGING	MAY25/22	KELVIN.T
D	ADD DIMS TO THE PACKAGING TAPE	JUN09/22	KELVIN.T



**RECOMMENDED P.C.B LAYOUT**  
(COMPONENT SIDE OF BOARD)  
TOLERANCE: ±0.05[002]

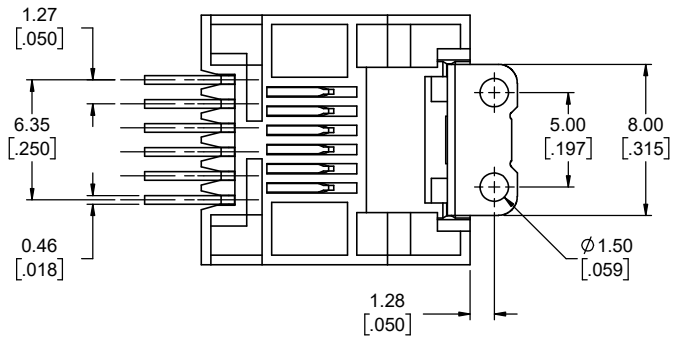


**NOTE:**

- MATERIALS:**  
HOUSING: HIGH TEMPERATURE THERMOPLASTIC, FLAMMABILITY RATING UL94 V-0, COLOUR: BLACK  
CONTACTS: PHOSPHOR BRONZE  
PLATING: SELECTIVE GOLD PLATING ON MATING SURFACES; 100u" [2.54 MICRONS] MIN. MATTE TIN ON SOLDER TAILS; 50u" [1.27 MICRONS] MIN. NICKEL UNDERPLATING OVERALL.  
SOLDER BRACKET: STAINLESS STEEL  
PLATING: MATTE TIN OVER ALL
- COPLANARITY SPECIFICATION:**  
THE MAX GAP BETWEEN ALL TERMINAL TAILS & SOLDER BRACKET IS 0.10[004] MAX.

AMPHENOL PART NUMBER: RJE23-166-0X13-T

- GOLD PLATING OPTION**
- 1= 6u"[0.15 MICRONS] GOLD PLATING
  - 2= 15u"[0.38 MICRONS] GOLD PLATING
  - 3= 30u"[0.76 MICRONS] GOLD PLATING
  - 4= 50u"[1.27 MICRONS] GOLD PLATING



UNLESS SPECIFIED OTHERWISE	DRAWN JUSTIN.F	JUN13/14
PRIMARY UNITS MILLIMETERS	CHECKED L.CHAN	JUN13/14
SECONDARY INCHES	M.E. APP'D	
REFERENCE IN PARENTHESES	Q.A. APP'D	
GENERAL TOLERANCES	DWG APPR.	
1 DECIMAL PLACE ±0.38	ENG. REL. NO.	
2 DECIMAL PLACES ±0.25	REF.	
3 DECIMAL PLACES ±0.13	THIRD ANGLE PROJECTION	
ANGULAR DEGREES ±1.0°	DO NOT SCALE DRAWING	

**Amphenol Canada Corp.**  
Commercial Products

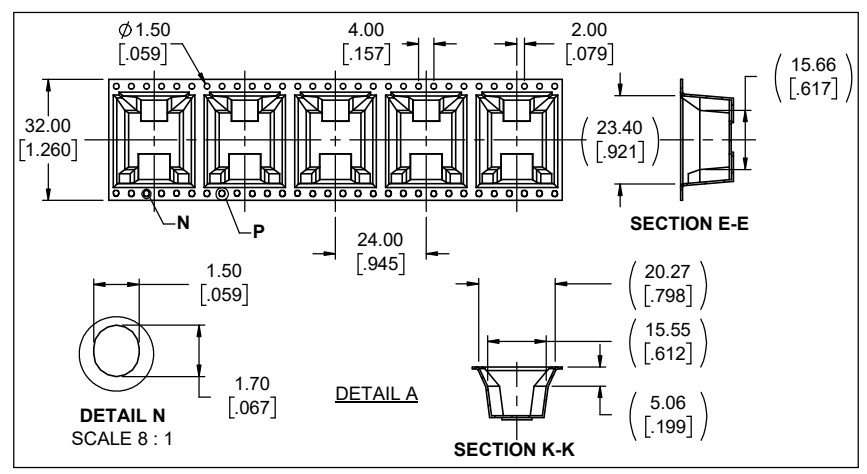
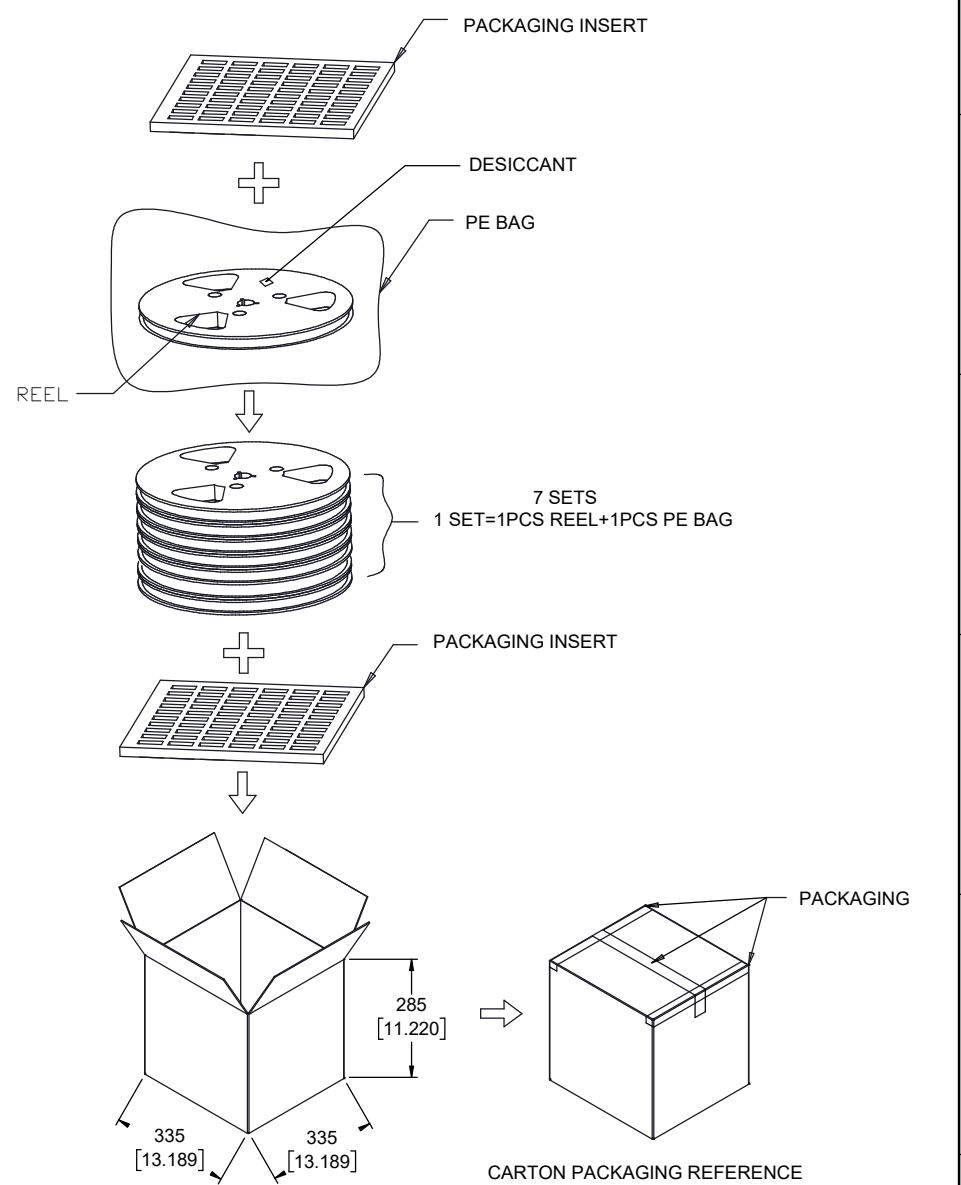
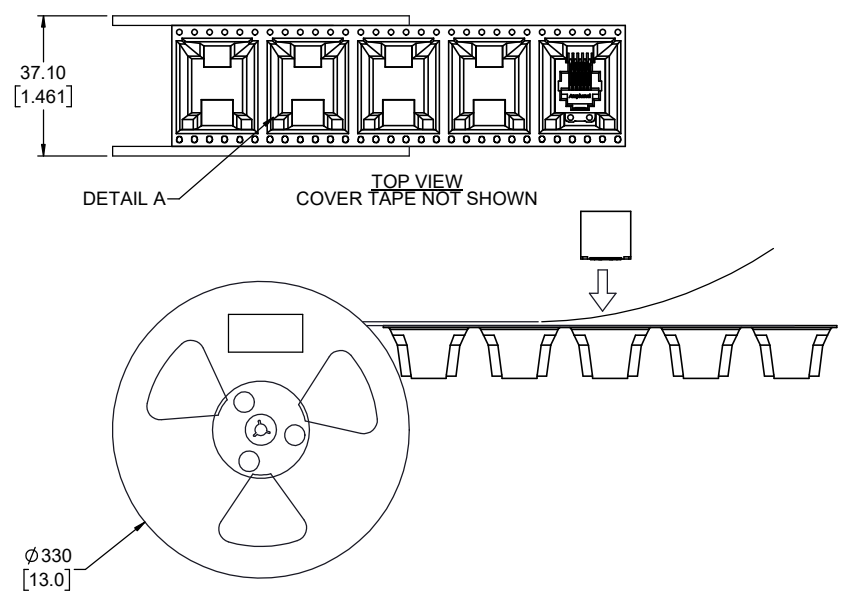
**TOP ENTRY MODULAR JACK,  
SURFACE MOUNT 6 POSITIONS, 6  
CONTACTS, WITH MYLAR TAPE,**

DWG. NO. **P-RJE23-166-0X13-T** REV **D**

CODE ID NO. 03554 DWG SIZE: X SCALE: 5:1 SHEET 1 OF 2

REVISIONS			
REV	DESCRIPTION, ECN, EAR NO.	DATE	APP'D
C	UPDATE THE TAPE AND PACKAGING	MAY25/22	KELVIN.T
D	ADD DIMS TO THE PACKAGING TAPE	JUN09/22	KELVIN.T

DIRECTION OF CONNECTORS PICK OUT FROM CARRIER →



**PACKAGING NOTES:**

- ONE REEL SHOULD HOLD 200 CONNECTORS.
- A FULLY LOADED CARTON SHOULD CONTAIN 7 SETS [1400] OF CONNECTORS.
- THE PACKAGE IS MSL 1 COMPLIANT.



UNLESS SPECIFIED OTHERWISE	DRAWN	JUSTIN.F	JUN13/14
PRIMARY UNITS MILLIMETERS	CHECKED	L.CHAN	JUN13/14
SECONDARY INCHES	M.E. APP'D		
REFERENCE IN PARENTHESES	Q.A. APP'D		
GENERAL TOLERANCES	DWG APPR.		
1 DECIMAL PLACE ±0.38	ENG. REL. NO.		
2 DECIMAL PLACES ±0.25	REF.		
3 DECIMAL PLACES ±0.13	THIRD ANGLE PROJECTION		
ANGULAR DEGREES ±1.0°	DO NOT SCALE DRAWING		

**Amphenol Canada Corp.**  
Commercial Products

TOP ENTRY MODULAR JACK,  
SURFACE MOUNT 6 POSITIONS, 6  
CONTACTS, WITH MYLAR TAPE,

DWG. NO. **P-RJE23-166-0X13-T** REV **D**

CODE ID NO. 03554 DWG SIZE: X SCALE: 1:1 SHEET 2 OF 2