

REVISIONS			
REV	DESCRIPTION, ECN, EAR NO.	DATE	APP'D
C	REVISE DRAWING ERROR	APR30/21	L.CHAN
D	ADD NOTES FOR TYPE C	JUN10/22	KELVIN.T

NOTES:

1. RJ45:
 HOUSING: HIGH TEMPERATURE THERMOPLASTIC
 FLAMMABILITY RATING UL 94V-0, COLOR: BLACK
 CONTACTS: PHOSPHOR BRONZE,
 PLATING: SELECTIVE GOLD PLATING ON THE
 MATING AREA, (SEE PART NO. FOR THICKNESS)
 10µ" [2.54 MICRONS] MIN MATTE TIN ON THE TAILS,
 50µ" [1.27 MICRONS] MIN. NICKEL UNDERPLATE
 SHIELD: STAINLESS STEEL WITH TIN FINISHED PCB TAILS.
 RJ45 PORT CAPABLE OF SUPPORTING 1000BASE-T or 2.5G BASE-T.
 CATEGORY 5e PERFORMANCE:

FREQUENCY MHZ	NEAR-END CROSS TALK dB, MIN.	RETURN LOSS dB , MIN.	INSERTION LOSS dB, MAX.
1.0	65	30	0.1
4.0	65	30	0.1
8.0	64.9	30	0.1
10.0	63	30	0.1
16.0	58.9	30	0.2
20.0	57	30	0.2
25.0	55	30	0.2
31.25	53.1	30	0.2
62.5	47.1	24.1	0.3
100.0	43	20	0.4

2. TYPE C

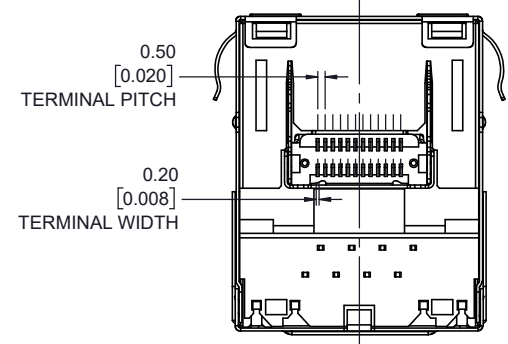
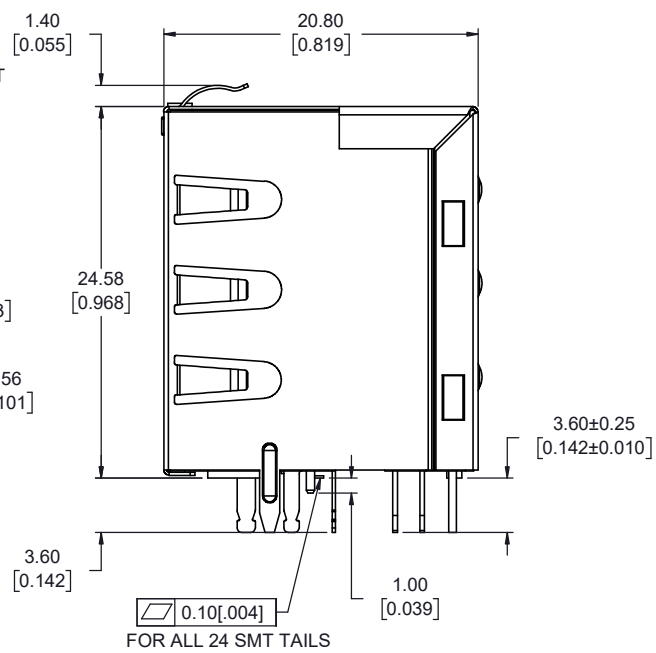
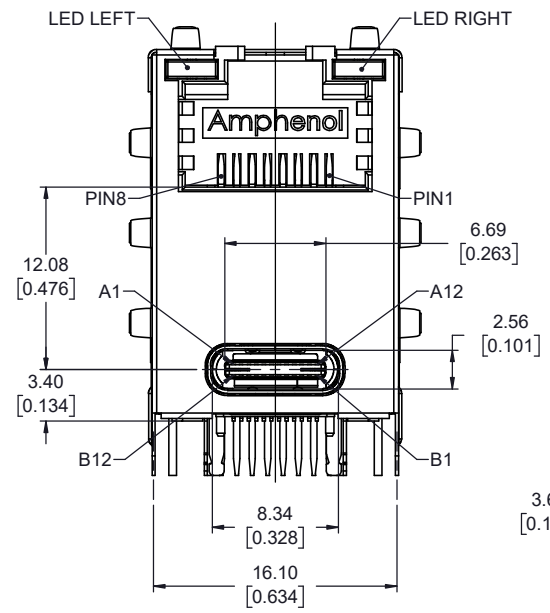
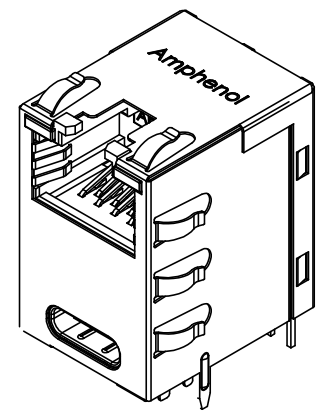
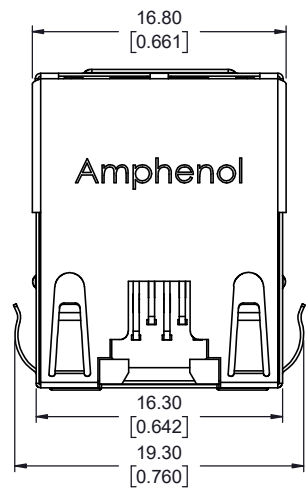
- HOUSING: HIGH TEMPERATURE THERMOPLASTIC
 FLAMMABILITY RATING UL 94V-0, COLOR: BLACK
 CONTACTS: PHOSPHOR BRONZE
 PLATING: 30µ" [0.76 MICRONS] MIN. GOLD OVER
 50µ" [1.27 MICRONS] MIN. NICKEL ON THE MATING
 AREA WITH MATTE TIN OVER NICKEL ON THE TAILS.
 SHIELD: STAINLESS STEEL, 50µ" [1.27 MICRONS] MIN. NICKEL
 OVERALL .

THE TYPE C MEET THE PERFORMANCE OF TYP C 3.1 GEN2

AMPHENOL PART NUMBER: RJE4E-188-1XX1

- GOLD PLATING OPTION
 1= 6µ" GOLD PLATING
 2=15µ" GOLD PLATING
 3=30µ" GOLD PLATING
 4=50µ" GOLD PLATING

REFER TO LED OPTIONS
 DRAWING FOR ORDERING
 CODES



UNLESS SPECIFIED OTHERWISE	DRAWN	JACK.GUO	JUL11/18
PRIMARY UNITS MILLIMETERS	CHECKED	L.CHAN	JUL11/18
SECONDARY INCHES	M.E. APP'D		
REFERENCE IN PARENTHESES	Q.A. APP'D		
GENERAL TOLERANCES	DWG APPR.		
1 DECIMAL PLACE ±0.38	ENG. REL. NO.		
2 DECIMAL PLACES ±0.25	REF.	EAR#RJ18136	
3 DECIMAL PLACES ±0.13	THIRD ANGLE PROJECTION		
ANGULAR DEGREES ±1.0°	DO NOT SCALE DRAWING		

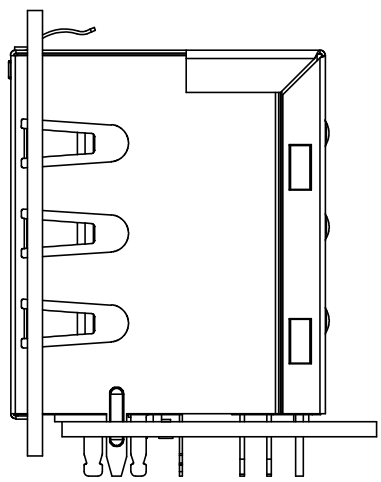
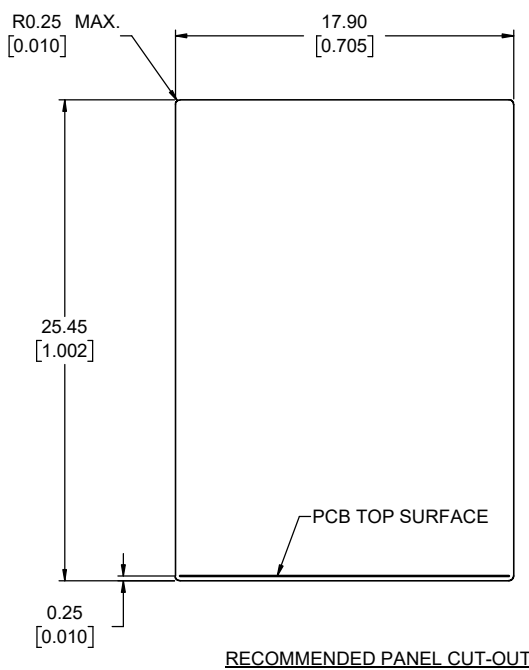
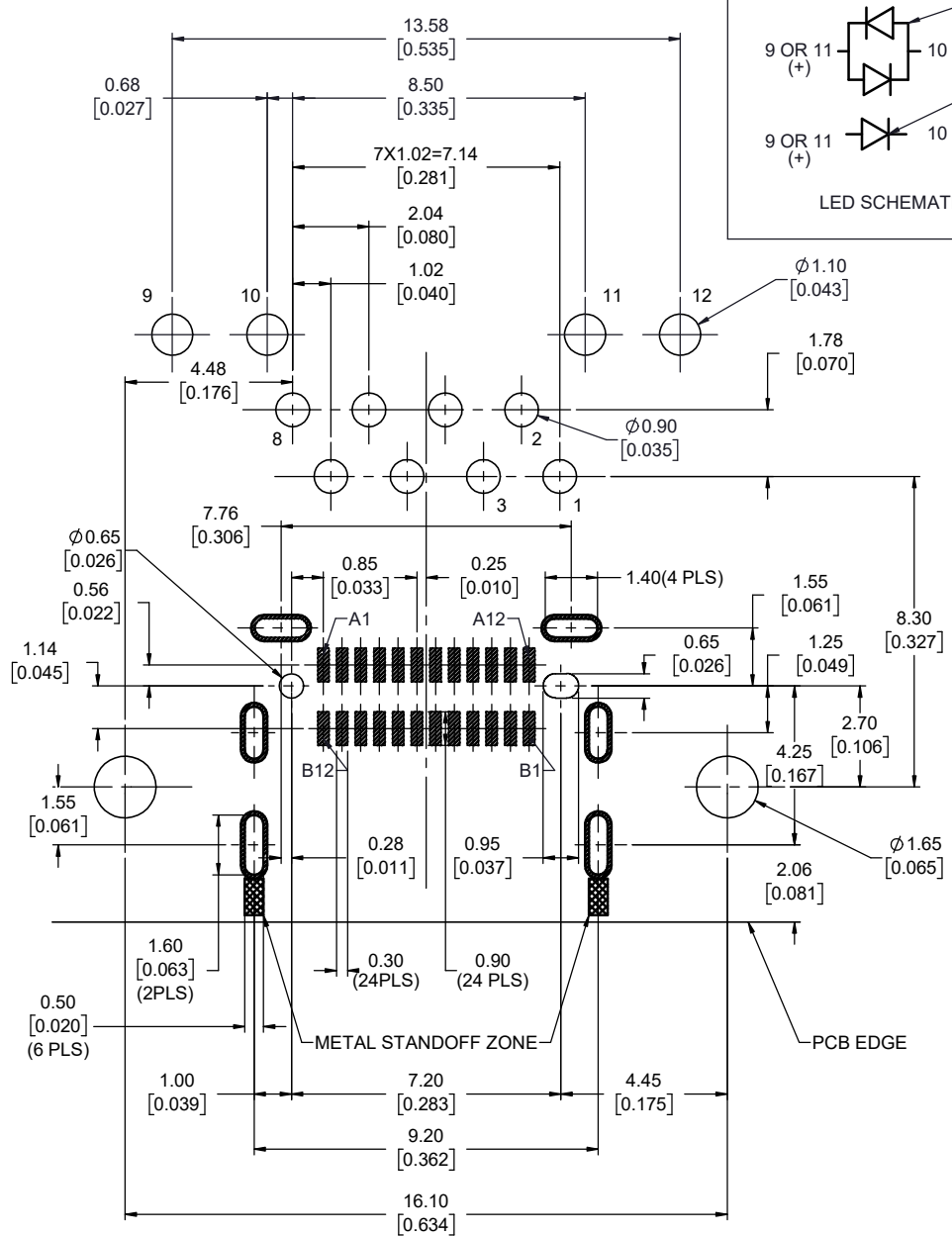
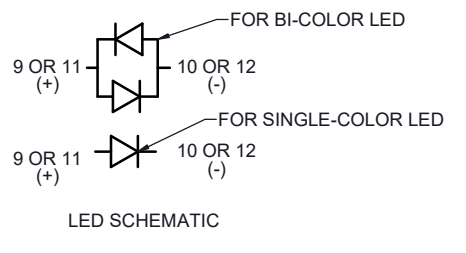
Amphenol Canada Corp.
 Commercial Products

RJ45(CAT5e) OVER USB TYPE C MODULAR, JACK, 8P8C, SHIELDED WITH TOP AND SIDE TABS, WITH LED, SUITABLE FOR REFLOW PROCESS, ESD TRAY PACKAGE - RoHS COMPLIANT

DWG. NO. **P-RJE4E-188-1XX1** REV **D**

CODE ID NO. 03554 DWG SIZE: X SCALE: 5:1 SHEET 1 OF 4

REVISIONS			
REV	DESCRIPTION, ECN, EAR NO.	DATE	APP'D
C	REVISE DRAWING ERROR	APR30/21	L.CHAN
D	ADD NOTES FOR TYPE C	JUN10/22	KELVIN.T



RECOMMENDED P.C.B LAYOUT
COMPONENT SIDE TO BOARD
TOLERANCE: ±0.05 [0.002]

RECOMMENDED P.C.B THICKNESS: 3.0MM
PAD RING WIDTH: 0.10MM

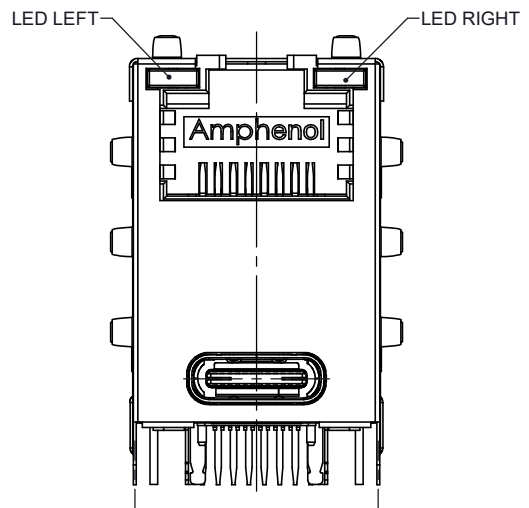


UNLESS SPECIFIED OTHERWISE	DRAWN	JACK.GUO	JUL11/18
PRIMARY UNITS MILLIMETERS	CHECKED	L.CHAN	JUL11/18
SECONDARY INCHES	M.E. APP'D		
REFERENCE IN PARENTHESES	Q.A. APP'D		
GENERAL TOLERANCES	DWG APPR.		
1 DECIMAL PLACE ±0.38	ENG. REL. NO.		
2 DECIMAL PLACES ±0.25	REF.	EAR#RJ18136	
3 DECIMAL PLACES ±0.13	THIRD ANGLE PROJECTION		
ANGULAR DEGREES ±1.0°	DO NOT SCALE DRAWING		

Amphenol Canada Corp. Commercial Products	
RJ45(CAT5e) OVER USB TYPE C MODULAR JACK, 8P8C, SHIELDED WITH TOP AND SIDE TABS, WITH LED, SUITABLE FOR REFLOW PROCESS, ESD TRAY PACKAGE - RoHS COMPLIANT	
DWG. NO.	REV
P-RJE4E-188-1XX1	D
CODE ID NO. 03554	DWG SIZE: X
SCALE: 5:1	SHEET 2 OF 4

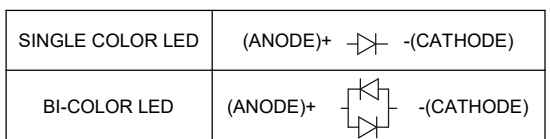
THIS DOCUMENT CONTAINS PROPRIETARY INFORMATION AND SUCH INFORMATION MAY NOT BE DISCLOSED TO OTHERS FOR ANY PURPOSE OR USED FOR MANUFACTURING PURPOSES WITHOUT WRITTEN PERMISSION FROM AMPHENOL CANADA CORP.

REVISIONS			
REV	DESCRIPTION, ECN, EAR NO.	DATE	APP'D
C	REVISE DRAWING ERROR	APR30/21	L.CHAN
D	ADD NOTES FOR TYPE C	JUN10/22	KELVIN.T



LED SPECIFICATIONS:
 FORWARD VOLTAGE: 2.1 VOLTS TYP.
 REVERSE VOLTAGE: 5.0 VOLTS MIN.
 LUMINOUS INTENSITY:
 7 mcd MIN. (AT If=20mA) TYP.
 OPERATING TEMPERATURE: -55° TO 85° C
 LEAD SOLDERING TEMPERATURE: 260° C
 (10 SEC, 1/16" FROM CASE)
 PLATING ON TAILS: TIN OR TIN/COPPER
 ALLOY OVER SILVER

TYPICAL FOR SINGLE & MULTI-PORT



PRIMARY COLOR FOR BI-COLOR
 LEDS IN STANDARD ANODE/
 CATHODE CONFIGURATION IS:
 RED-GREEN= RED
 RED-YELLOW= RED
 GREEN-YELLOW= GREEN
 GREEN-ORANGE= GREEN

EXAMPLE:

PART NUMBER RJE4E-188-14X1

LED COLOR CODE

CODE	LED2 (LEFT)	LED1 (RIGHT)	CODE	LED2 (LEFT)	LED1 (RIGHT)	CODE	LED2 (LEFT)	LED1 (RIGHT)
0	BLOCKED	BLOCKED	9	GREEN	BLOCKED	J	BIC RD/GR	YELLOW
1	YELLOW	GREEN	A	BIC GR/YE	BIC GR/YE	K	YELLOW	BIC GR/OR
2	BLOCKED	GREEN	B	BIC RD/GR	BIC RD/GR	L	BIC GR/YE	RED
3	YELLOW	BLOCKED	C	BIC RD/GR	BIC GR/YE	M	RED	YELLOW
4	GREEN	YELLOW	D	GREEN	BIC GR/YE	N	BIC GR/RD	BIC GR/YE
5	GREEN	GREEN	E	YELLOW	BIC GR/YE	P	GREEN	BIC RD/GR
6	YELLOW	YELLOW	F	BIC GR/YE	YELLOW	R	BIC GR/OR	GREEN
7	RED	GREEN	G	BIC GR/OR	BIC GR/OR	T	RED	RED
8	GREEN	RED	H	BIC GR/YE	GREEN	V	BIC RD/GR	GREEN
						W	ADDITIONAL OPTION	

LEGEND

- BIC=BI-COLOR LED
- LOWC=LOW CURRENT LED
- YE=YELLOW
- GR=GREEN
- RD=RED
- OR=ORANGE

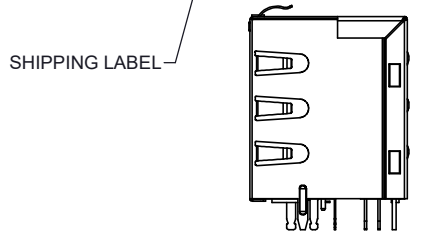
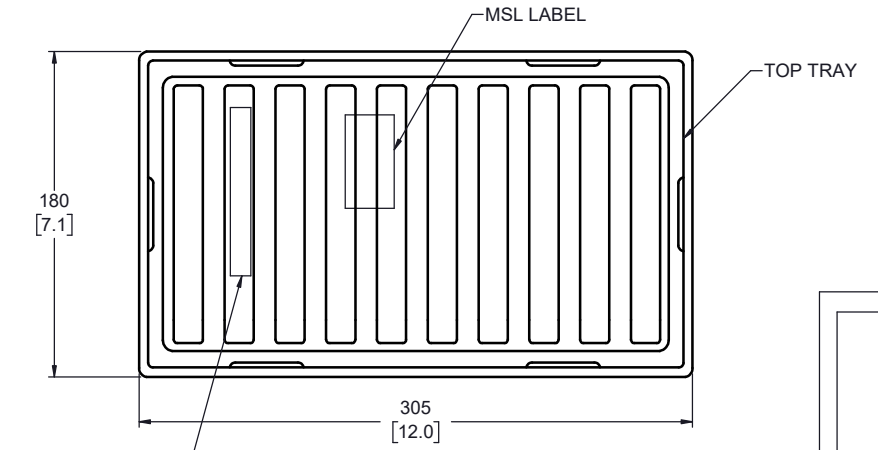
NOTE:
 THE TWO DIGITS PRECEDING THE
 ADDITIONAL LED CODE MUST BE
 USED IN THE PART NUMBER, WHEN
 ORDERING ANY OF THE ADDITIONAL
 LED OPTIONS.



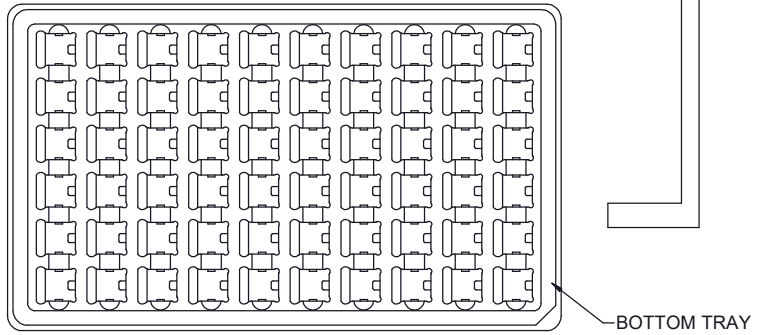
UNLESS SPECIFIED OTHERWISE	DRAWN	JACK.GUO	JUL11/18
PRIMARY UNITS MILLIMETERS	CHECKED	L.CHAN	JUL11/18
SECONDARY INCHES	M.E. APP'D		
REFERENCE IN PARENTHESES	Q.A. APP'D		
GENERAL TOLERANCES	DWG APPR.		
1 DECIMAL PLACE ±0.38	ENG. REL. NO.		
2 DECIMAL PLACES ±0.25	REF.	EAR#RJ18136	
3 DECIMAL PLACES ±0.13	THIRD ANGLE PROJECTION		DO NOT SCALE DRAWING
ANGULAR DEGREES ±1.0°			

Amphenol Canada Corp. Commercial Products	
RJ45(CAT5e) OVER USB TYPE C MODULAR, JACK, 8P8C, SHIELDED WITH TOP AND SIDE TABS, WITH LED, SUITABLE FOR REFLOW PROCESS, ESD TRAY PACKAGE - RoHS COMPLIANT	
DWG. NO.	REV
P-RJE4E-188-1XX1	D
CODE ID NO. 03554	DWG SIZE: X
SCALE: 5:1	SHEET 3 OF 4

REVISIONS			
REV	DESCRIPTION, ECN, EAR NO.	DATE	APP'D
C	REVISE DRAWING ERROR	APR30/21	L.CHAN
D	ADD NOTES FOR TYPE C	JUN10/22	KELVIN.T

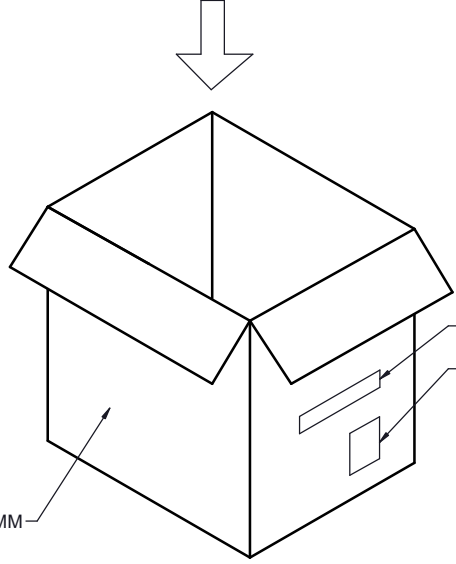
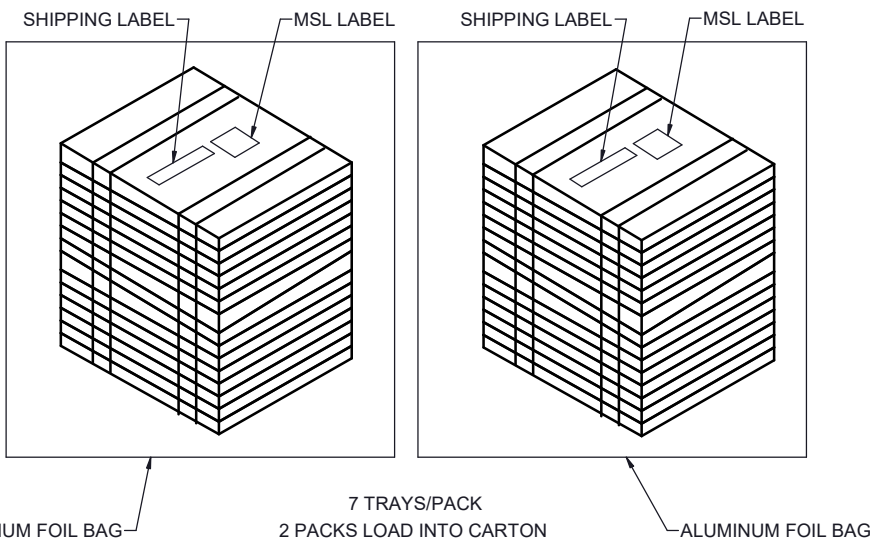


CONNECTORS BE PLACED INTO TRAYS



60 PCS / TRAY

- NOTES:**
 PACKAGING QUANTITY:
 1. 60 PCS / TRAY
 2. 7 TRAYS / PACK [420 PCS /PACK]
 3. 2 PACKS / CARTON [14 TRAYS / CARTON]
 4. 840 PCS / CARTON
 5. THE PACKAGING IS MSL 2a COMPATIBLE.



CARTON 380X315X290MM

2 PACKS PER CARTON
 TOTAL 840PCS/CARTON

THIS DOCUMENT CONTAINS PROPRIETARY INFORMATION AND SUCH INFORMATION MAY NOT BE DISCLOSED TO OTHERS FOR ANY PURPOSE OR USED FOR MANUFACTURING PURPOSES WITHOUT WRITTEN PERMISSION FROM AMPHENOL CANADA CORP.

UNLESS SPECIFIED OTHERWISE	DRAWN	JACK.GUO	JUL11/18
PRIMARY UNITS MILLIMETERS	CHECKED	L.CHAN	JUL11/18
SECONDARY UNITS INCHES	M.E. APP'D		
REFERENCE IN PARENTHESSES	O.A. APP'D		
GENERAL TOLERANCES	DWG APPR.		
1 DECIMAL PLACE ±0.38	ENG. REL. NO.		
2 DECIMAL PLACES ±0.25	REF.	EAR#RJ18136	
3 DECIMAL PLACES ±0.13	THIRD ANGLE PROJECTION	DO NOT SCALE DRAWING	
ANGULAR DEGREES ±1.0°			

Amphenol Canada Corp. Commercial Products			
RJ45(CAT5e) OVER USB TYPE C MODULAR, JACK, 8P8C, SHIELDED WITH TOP AND SIDE TABS, WITH LED, SUITABLE FOR REFLOW PROCESS, ESD TRAY PACKAGE - RoHS COMPLIANT			
DWG. NO.	P-RJE4E-188-1XX1		REV D
CODE ID NO. 03554	DWG SIZE: X	SCALE: 5:1	SHEET 4 OF 4