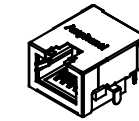
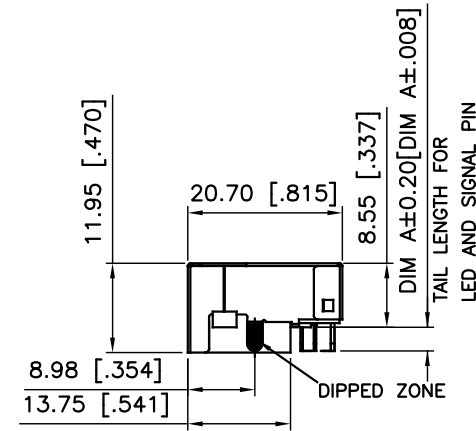


PIN NUMBERS
SHOW FOR REFERENCE
ONLY, IT DOES NOT
SHOW ON ACTUAL PART



19.84 [.781]

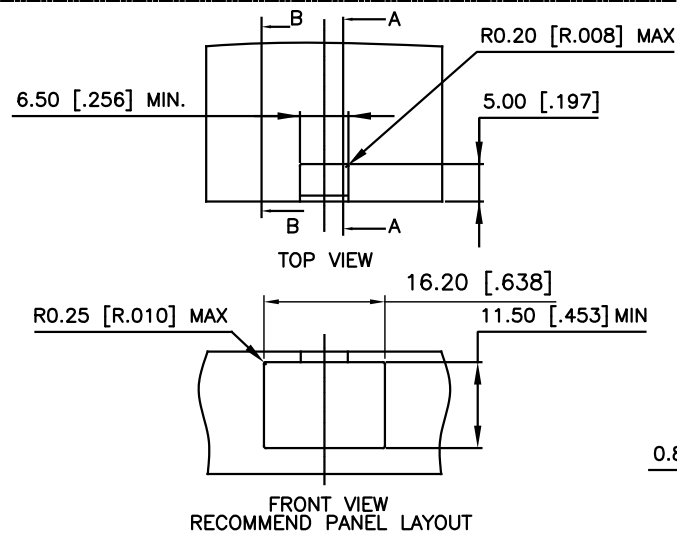


NOTES:

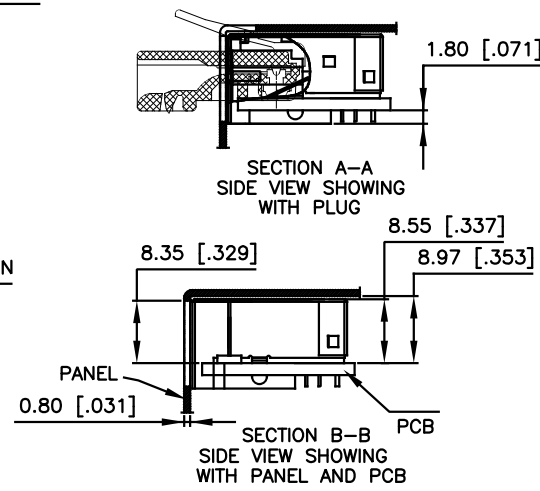
ELECTRICAL:

- VOLTAGE RATING : 125 VAC.
- CURRENT RATING : 1.25 AMPS PER CONTACT.
- INSULATING RESISTANCE : 500 MEGOHMS MINIMUM.
- DIELECTRIC STRENGTH : 1000 VAC 60Hz, 1MIN.
- CATEGORY 6 CHARACTERISTIC:

Frequency MHz	Near-End Crosstalk dB, MIN.	Return Loss dB, MIN.	Insertion loss dB, MAX.
1.0	75.0	30.0	0.1
4.0	75.0	30.0	0.1
8.0	75.0	30.0	0.1
10.0	74.0	30.0	0.1
16.0	69.9	30.0	0.1
20.0	68.0	30.0	0.1
25.0	66.0	30.0	0.1
31.25	64.1	30.0	0.11
62.5	58.1	28.1	0.16
100.0	54.0	24.0	0.20
200.0	48.0	18.0	0.28
250.0	46.0	16.0	0.32



FRONT VIEW
RECOMMEND PANEL LAYOUT



MECHANICAL:

- SHIELD : STAINLESS STEEL, WITH TIN-DIP ON SOLDER TABS.
- HOUSING : HIGH TEMP THERMOPLASTIC. UL 94V-0.
- INSERT : HIGH TEMP THERMOPLASTIC UL 94V-0.
- PCB : FR-4.
- CONTACT : PHOSPHOR BRONZE. SELECTIVE GOLD PLATING FOR MATING SURFACE, SEE AMPHENOL PART NUMBER FOR DETAIL. 50u" NICKEL UNDERPLATE 100u" MATTE TIN PLATING ON CONTACT SOLDER TAIL.

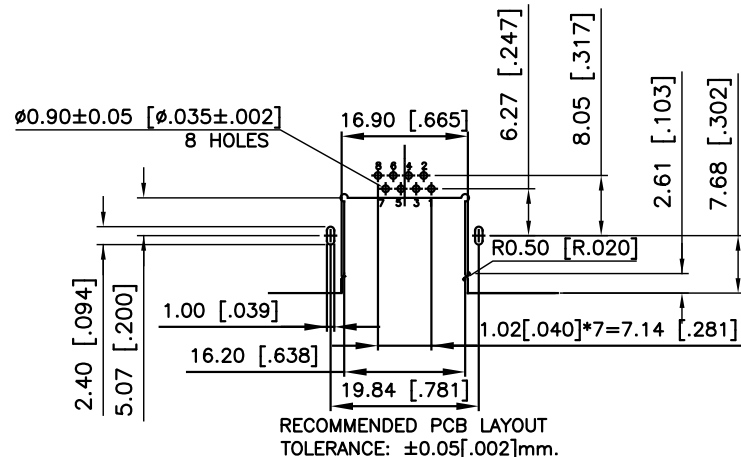
ENVIRONMENTAL:

- STORAGE : -40° TO +85°.
 - OPERATION : -40° TO +85°.
- MATES WITH MODULAR PLUG CONFORMING TO TIA 1096.
RECOMMENDED SOLDER PROCESS: WAVE SOLDER, PEAK TEMPERATURE 260° FOR 5 SECOND MAXIMUM.

AMPHENOL PART NUMBER: RJE71-188-6X0X
GOLD PLATING OPTION _____ OPTIONS (SEE BELOW TABLE 1)
1=6u" [0.15 MICRONS] GOLD PLATING
2=15u" [0.38 MICRONS] GOLD PLATING
3=30u" [0.76 MICRONS] GOLD PLATING
4=50u" [1.27 MICRONS] GOLD PLATING

TABLE 1

RJE711886X01	3.18[.125]	2.36[.093]
RJE711886X02	2.27[.089]	1.57[.062]
RJE711886X03	2.16[.085]	1.57[.062]
AMPHENOL P/N:	DIM A	RECOMMEND PCB THICKNESS



RECOMMENDED PCB LAYOUT
TOLERANCE: ±0.05[.002]mm.

THIS DOCUMENT CONTAINS PROPRIETARY INFORMATION AND SUCH INFORMATION MAY NOT BE DISCLOSED TO OTHERS FOR ANY PURPOSE OR USED FOR MANUFACTURING PURPOSES WITHOUT WRITTEN PERMISSION FROM AMPHENOL CANADA CORP.

UNLESS SPECIFIED OTHERWISE	DRAWN	JAMISON.C	DEC18/18
PRIMARY UNITS MILLIMETERS	CHECKED	L.CHAN	DEC18/18
SECONDARY INCHES	M.E. APP'D		
REFERENCE IN PARENTHESES	Q.A. APP'D		
GENERAL TOLERANCES FOR MM	DWG APP'D	A.GREEN	DEC18/18
1 DECIMAL PLACE ±0.50	ENG. REL. NO.		
2 DECIMAL PLACE ±0.30	REF.		
3 DECIMAL PLACE ±0.10			
ANGULAR DEGREES ±3°			

Amphenol Canada Corp.
Commercial Products

MODULAR JACK, SINGLE PORT, 8 POSITIONS, 8 CONTACTS, SHIELDED WITHOUT TOP & SIDE TABS, WITHOUT LED, SINK PCB TYPE, TAB UP, CAT6

DWG NO. P-RJE71-188-6X0X

CODE ID NO. 03554 DWG SIZE: C SCALE: N/A SHEET 1 OF 1