

16.90 [.665]

16.20 [.638]

LED 2 LEFT

LED 1 RIGHT

PIN NUMBERS SHOW FOR REFERENCE ONLY, IT DOES NOT SHOW ON ACTUAL PART

19.84 [.781]

11.95 [.470]

20.70 [.815]

8.55 [.337]

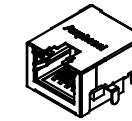
DIM A±0.20[DIM A±.008]

TAIL LENGTH FOR LED AND SIGNAL PIN

8.98 [.354]

13.75 [.541]

DIPPED ZONE



NOTES:

ELECTRICAL:

- VOLTAGE RATING : 125 VAC.
- CURRENT RATING : 1.25 AMPS PER CONTACT.
- INSULATING RESISTANCE : 500 MEGOHMS MINIMUM.
- DIELECTRIC STRENGTH : 1000 VAC 60Hz, 1MIN.
- CATEGORY 6 CHARACTERISTIC:

Frequency MHz	Near-End Crosstalk dB, MIN.	Return Loss dB, MIN.	Insertion loss dB, MAX.
1.0	75.0	30.0	0.1
4.0	75.0	30.0	0.1
8.0	75.0	30.0	0.1
10.0	74.0	30.0	0.1
16.0	69.9	30.0	0.1
20.0	68.0	30.0	0.1
25.0	66.0	30.0	0.1
31.25	64.1	30.0	0.11
62.5	58.1	28.1	0.16
100.0	54.0	24.0	0.20
200.0	48.0	18.0	0.28
250.0	46.0	16.0	0.32

MECHANICAL:

- SHIELD : STAINLESS STEEL, WITH TIN-DIP ON SOLDER TABS.
- HOUSING : HIGH TEMP THERMOPLASTIC. UL 94V-0.
- INSERT : HIGH TEMP THERMOPLASTIC UL 94V-0.
- PCB : FR-4.
- CONTACT : PHOSPHOR BRONZE.

SELECTIVE GOLD PLATING FOR MATING SURFACE, SEE AMPHENOL PART NUMBER FOR DETAIL.  
50u" NICKEL UNDERPLATE  
100u" MATTE TIN PLATING ON CONTACT SOLDER TAIL.

ENVIRONMENTAL:

- STORAGE : -40° TO +85°.
- OPERATION : -40° TO +85°.

MATES WITH MODULAR PLUG CONFORMING TO TIA 1096.

RECOMMENDED SOLDER PROCESS: WAVE SOLDER, PEAK TEMPERATURE 260° FOR 5 SECOND MAXIMUM.

AMPHENOL PART NUMBER: RJE71-188-6XXX

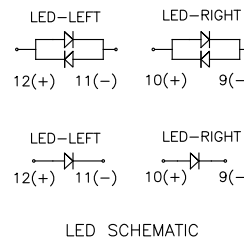
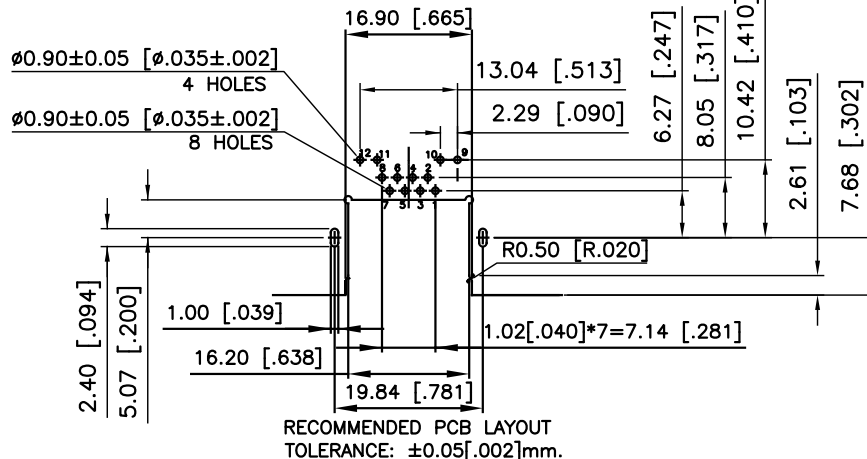
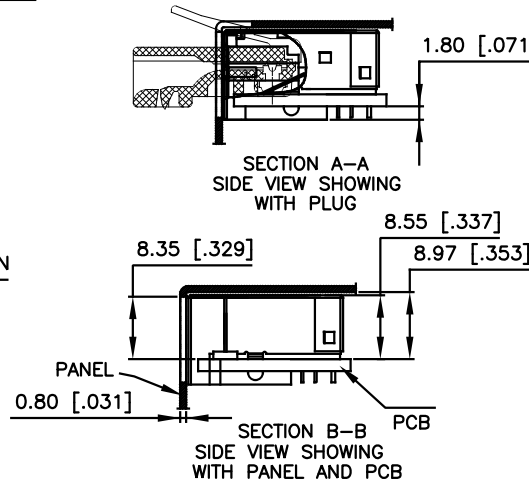
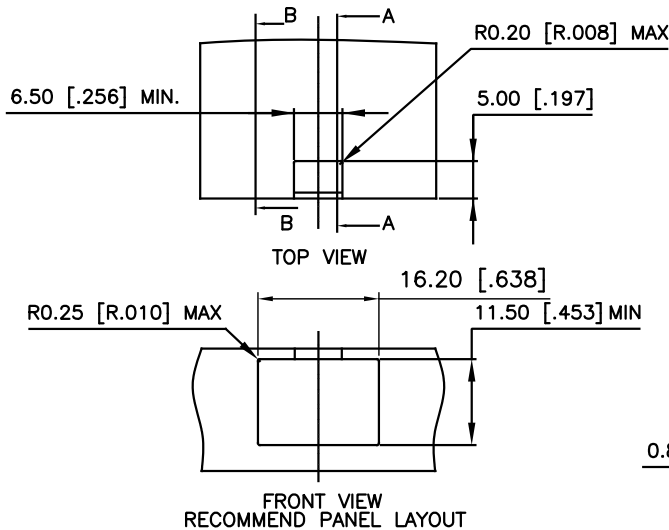
GOLD PLATING OPTION

- 1=6u" [0.15 MICRONS] GOLD PLATING
- 2=15u" [0.38 MICRONS] GOLD PLATING
- 3=30u" [0.76 MICRONS] GOLD PLATING
- 4=50u" [1.27 MICRONS] GOLD PLATING

REFER TO LED OPTIONS DRAWING FOR ORDERING CODES

TABLE 1

AMPHENOL P/N:	DIM A	RECOMMEND PCB THICKNESS
RJE711886XX1	3.18[.125]	2.36[.093]
RJE711886XX2	2.27[.089]	1.57[.062]
RJE711886XX3	2.16[.085]	1.57[.062]



UNLESS SPECIFIED OTHERWISE	DRAWN	JAMISON.C	DEC18/18
PRIMARY UNITS MILLIMETERS	CHECKED	L.CHAN	DEC18/18
SECONDARY INCHES	M.E. APP'D		
REFERENCE IN PARENTHESES	Q.A. APP'D		
GENERAL TOLERANCES FOR MM	DWG APP'D	A.GREEN	DEC18/18
1 DECIMAL PLACE ±0.50	ENG. REL. NO.		
2 DECIMAL PLACE ±0.30	REF.		
3 DECIMAL PLACE ±0.10			
ANGULAR DEGREES ±3°			

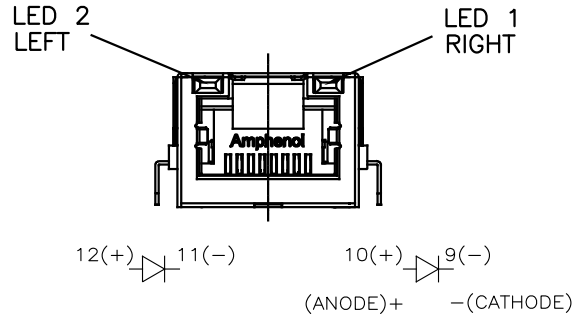
Amphenol Canada Corp.  
Commercial Products

MODULAR JACK, SINGLE PORT, 8 POSITIONS, 8 CONTACTS, SHIELDED WITHOUT TOP & SIDE TABS, WITH LED, SINK PCB TYPE, TAB UP, CAT6

DWG NO. P-RJE71-188-6XXX

CODE ID NO. 03554 DWG SIZE: C SCALE: N/A SHEET 1 OF 2

REVISIONS			
REV	DESCRIPTION, ECN, EAR NO.	DATE	APP'D
A	PROPOSAL DRAWING	DEC18/18	A.G



**LED SPECIFICATIONS:**  
 FORWARD VOLTAGE: 2.1 VOLTS TYP.  
 REVERSE VOLTAGE: 5.0 VOLTS MIN.  
 LUMINOUS INTENSITY: 0.5 mCd MIN.  
 (AT If=2mA)  
 STORAGE TEMPERATURE: -40° TO 85° C  
 LEAD SOLDERING TEMPERATURE: 260° C  
 (5 SEC, 1/16" FROM CASE)  
 PLATING ON TAILS: TIN OR TIN/COPPER  
 ALLOY OVER SILVER

**EXAMPLE:**

PART NUMBER RJE71-188-6XXX

LED COLOR CODE

CODE	LED 2 (LEFT)	LED 1 (RIGHT)	CODE	LED 2 (LEFT)	LED 1 (RIGHT)	CODE	LED 2 (LEFT)	LED 1 (RIGHT)
0	BLOCKED	BLOCKED	9	GREEN	BLOCKED	J	BiC RD/GR	YELLOW
1	YELLOW	GREEN	A	BiC GR/YE	BiC GR/YE	K	YELLOW	BiC GR/OR
2	BLOCKED	GREEN	B	BiC RD/GR	BiC RD/GR	L	BiC GR/YE	RED
3	YELLOW	BLOCKED	C	BiC RD/GR	BiC GR/YE	M	RED	YELLOW
4	GREEN	YELLOW	D	GREEN	BiC GR/YE	P	GREEN	BiC RD/GR
5	GREEN	GREEN	E	YELLOW	BiC GR/YE	R	BiC GR/OR	GREEN
6	YELLOW	YELLOW	F	BiC GR/YE	YELLOW	T	RED	RED
7	RED	GREEN	G	BiC GR/OR	BiC GR/OR	V	BiC RD/GR	GREEN
8	GREEN	RED	H	BiC GR/YE	GREEN			

PRIMARY COLOR FOR BI-COLOR  
 LEDS IN STANDARD ANODE/  
 CATHODE CONFIGURATION IS:  
 RED-GREEN= RED  
 RED-YELLOW= RED  
 GREEN-YELLOW= GREEN  
 GREEN-ORANGE= GREEN

**LEGEND**

BiC=BI-COLOR LED  
 LOWC=LOW CURRENT LED  
 YE=YELLOW  
 GR=GREEN  
 RD=RED  
 OR=ORANGE

**NOTE:**

THE TWO DIGITS PRECEDING THE  
 ADDITIONAL LED CODE MUST BE  
 USED IN THE PART NUMBER, WHEN  
 ORDERING ANY OF THE ADDITIONAL  
 LED OPTIONS.



UNLESS SPECIFIED OTHERWISE		DRAWN	JAMISON.C	DEC18/18	Amphenol Canada Corp. Commercial Products
PRIMARY UNITS MILLIMETERS		CHECKED	L.CHAN	DEC18/18	
SECONDARY INCHES		M.E. APP'D			MODULAR JACK, SINGLE PORT, 8 POSITIONS, 8 CONTACTS, SHIELDED WITHOUT TOP & SIDE TABS, WITH LED, SINK PCB TYPE, TAB UP, CAT6
REFERENCE IN PARENTHESES		Q.A. APP'D			
GENERAL TOLERANCES FOR MM		DWG APP'D	A.GREEN	DEC18/18	DWG NO.
1 DECIMAL PLACE ±0.50		ENG. REL. NO.			P-RJE71-188-6XXX
2 DECIMAL PLACE ±0.30		REF.			
3 DECIMAL PLACE ±0.10		THIRD ANGLE PROJECTION			REV
ANGULAR DEGREES ±3'		DO NOT SCALE DRAWING			A
		CODE ID NO. 03554		DWG SIZE: C	SCALE: N/A
				SHEET 2 OF 2	