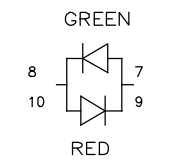
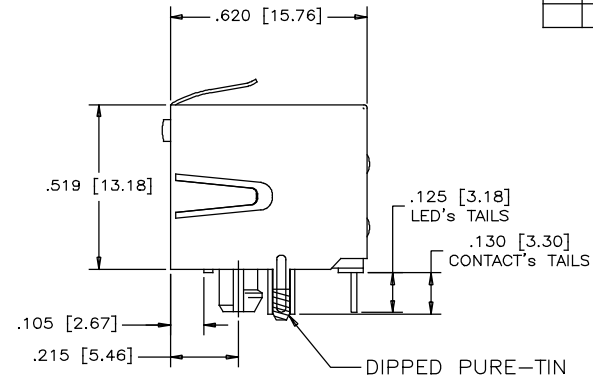
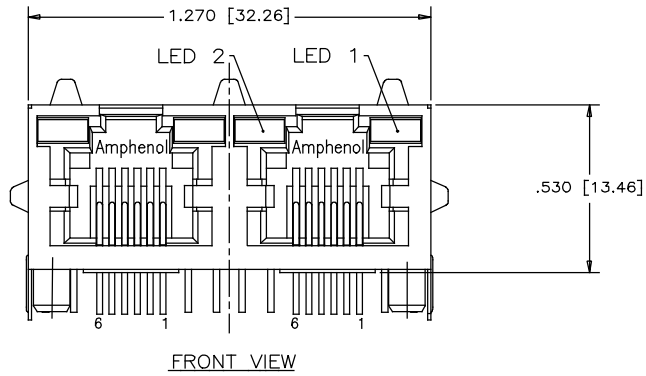
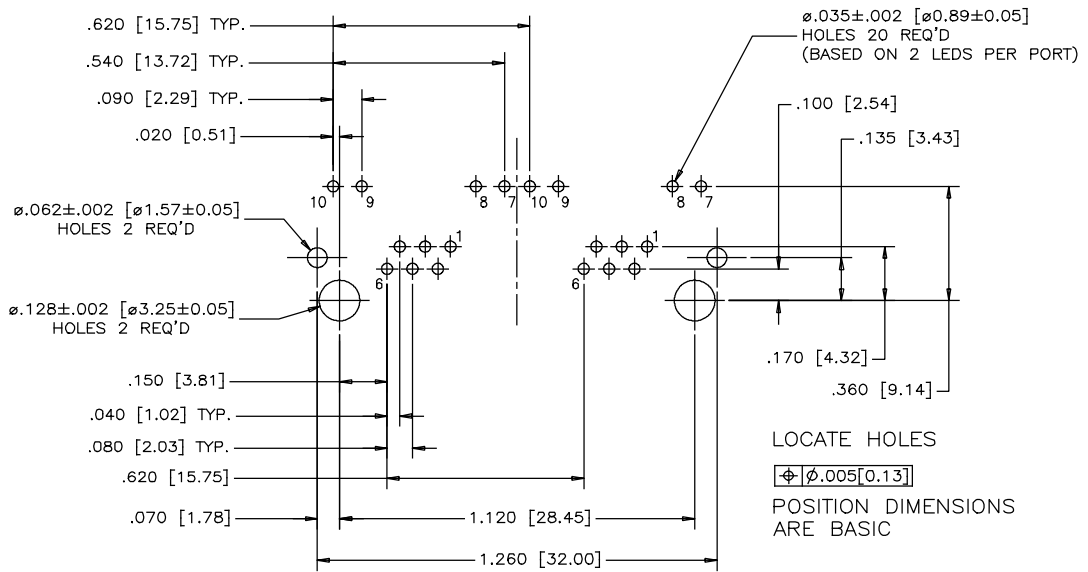


REVISIONS			
REV	DESCRIPTION, ECN, EAR NO.	DATE	APP'D
A	PROPOSAL	TBD	L.CHAN

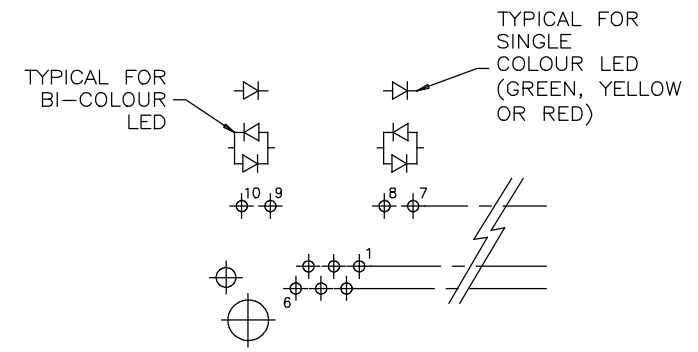


**BI-COLOUR LED DETAIL**  
(YELLOW/GREEN, RED/YELLOW AND GREEN/ORANGE LED'S ARE ALSO AVAILABLE)



**RECOMMENDED P.C.B. LAYOUT**  
(COMPONENT SIDE OF BOARD)

**SIDE VIEW**



**LED SCHEMATIC**

**MATERIALS:**

PLASTIC HOUSING: ENGINEERING THERMOPLASTIC  
FLAMMABILITY RATING UL 94V-0  
COLOR: BLACK

**CONTACTS:**

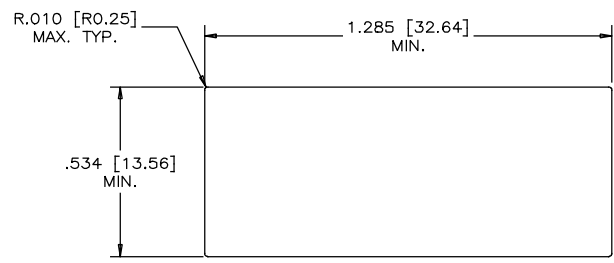
PHOSPHOR BRONZE  
PLATING: 50  $\mu$ " [1.27 MICRONS]  
MIN. GOLD ON MATING SURFACES.  
50  $\mu$ " [1.27 MICRONS]  
MIN. NICKEL UNDERPLATE  
100  $\mu$ " [2.54 MICRONS]  
MIN. MATTE-TIN ON CONTACT TAILS.

**SHIELD:**

COPPER ALLOY PLATING NICKEL WITH  
DIPPED PURE TIN ON PCB TAIL.

**PART NUMBER:** RJHSE-736X-A2X

REFER TO LED OPTIONS DRAWING  
FOR ORDERING CODES



**RECOMMENDED PANEL CUTOUT**

THIS DOCUMENT CONTAINS PROPRIETARY INFORMATION AND SUCH INFORMATION MAY NOT BE DISCLOSED TO OTHERS FOR ANY PURPOSE OR USED FOR MANUFACTURING PURPOSES WITHOUT WRITTEN PERMISSION FROM AMPHENOL CANADA CORP.

UNLESS SPECIFIED OTHERWISE	DRAWN	CHANG WEI	MAY 31/16
CHECKED	L.CHAN	TBD	
PRIMARY UNITS INCH	M.E. APP'D		
SECONDARY UNITS MILLIMETER	Q.A. APP'D		
REFERENCE IN PARENTHESES	DWG APP'D		
1 DECIMAL PLACE	±0.025		
2 DECIMAL PLACE	±0.020		
3 DECIMAL PLACE	±0.015		
ANGULAR DEGREES	±1°		
	THIRD ANGLE PROJECTION		DO NOT SCALE DRAWING

Amphenol Canada Corp.		REV
www.amphenolcanada.com		A
2 PORT, HIGH SPEED, MODULAR JACK. 6 POSITION, 6 CONTACTS, SHIELD, .130" CONTACT LENGTH, WITH LED'S, - RoHS COMPLIANT		
DWG NO.	P-RJHSE-736X-A2X	
CODE ID NO. 03554	DWG SIZE: C	SHEET 1 OF 1