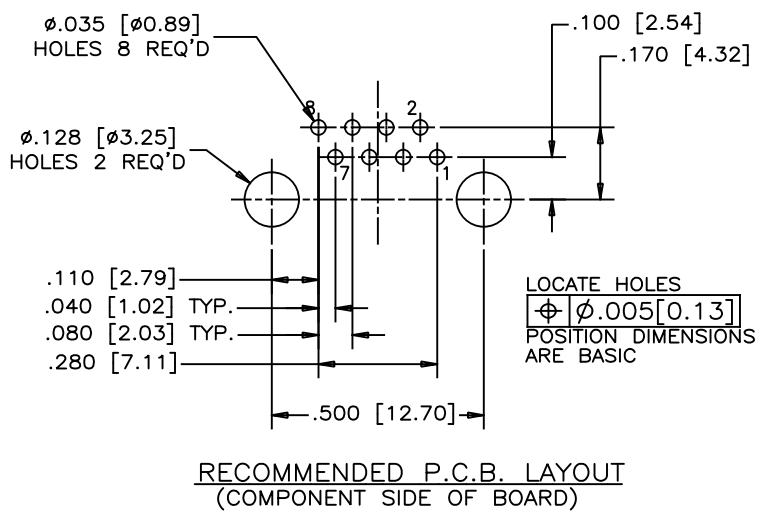
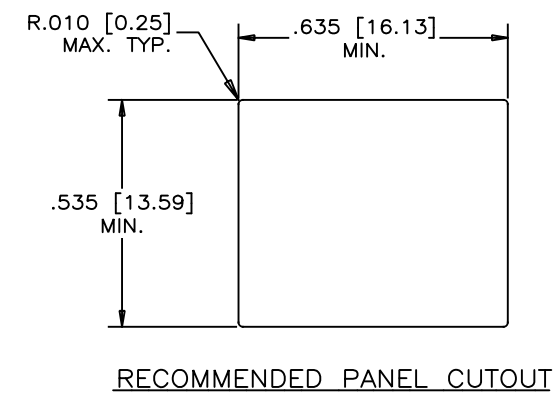
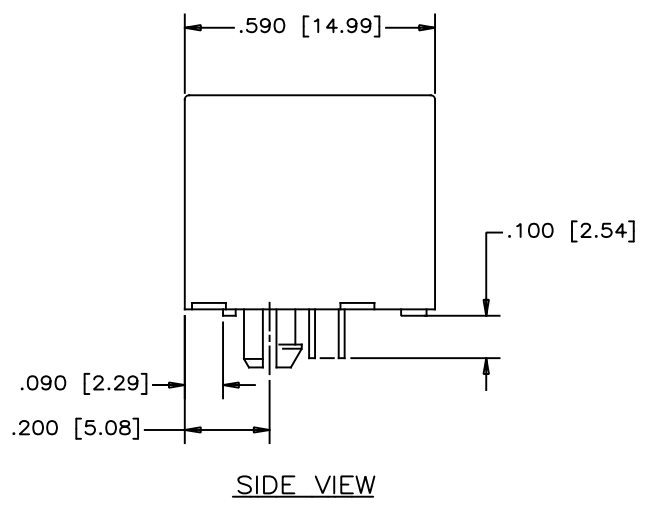
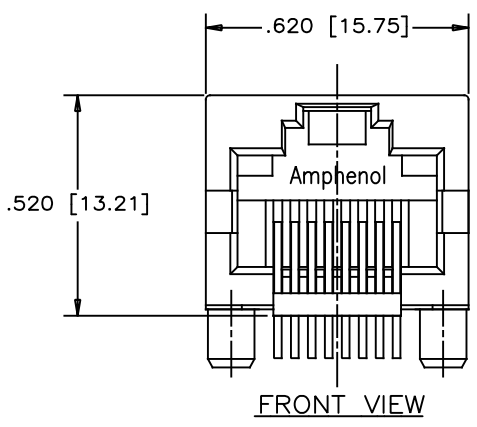


REVISIONS			
REV	DESCRIPTION, ECN, EAR NO.	DATE	APP'D
A	PROPOSAL	MAY22/19	L.CHAN



MATERIALS:
 PLASTIC HOUSING: HIGH TEMPERATURE THERMOPLASTIC
 FLAMMABILITY RATING UL 94V-0, COLOR BLACK

CONTACTS: PHOSPHOR BRONZE
 PLATING: GOLD PLATING ON MATING SURFACE.
 [SEE PART NUMBER FOR THICKNESS]
 50 μ" [1.27 MICRONS]
 MIN. NICKEL UNDERPLATE
 100 μ" [2.54 MICRONS]
 MIN. MATTE TIN ON CONTACT TAILS.

PART NUMBER: RJHSE-X080

GOLD PLATING
 E=RJ45 FLAT CONTACT 6u"
 G=RJ45 FLAT CONTACT 15u"
 J=RJ45 FLAT CONTACT 30u"
 5=RJ45 FLAT CONTACT 50u"



UNLESS SPECIFIED OTHERWISE	DRAWN	W.QIU	DATE	MAY22/19	Amphenol Canada Corp. Commercial Products TITLE SINGLE-PORT HIGH SPEED RJ45, 8P8C WITHOUT SHIELD & LEADS, -RoHS COMPLIANT DWG. NO. P-RJHSE-X080 REF.
PRIMARY UNITS INCH	CHECKED	L.CHAN	DATE	MAY22/19	
SECONDARY MILLIMETER	M.E. APP'D				
REFERENCE IN PARENTHESES	Q.A. APP'D				
GENERAL TOLERANCES	DWG APPR.				CODE ID NO. 03554 DWG SIZE: C SCALE: N/A SHEET 1 OF 1
1 DECIMAL PLACE ±0.025	ENG. REL. NO.				
2 DECIMAL PLACES ±0.020	REF.				
3 DECIMAL PLACES ±0.015	THIRD ANGLE PROJECTION				
ANGULAR DEGREES ±1.0°	DO NOT SCALE DRAWING				REV A

THIS DOCUMENT CONTAINS PROPRIETARY INFORMATION AND SUCH INFORMATION MAY NOT BE DISCLOSED TO OTHERS FOR ANY PURPOSE OR USED FOR MANUFACTURING PURPOSES WITHOUT WRITTEN PERMISSION FROM AMPHENOL CANADA CORP.