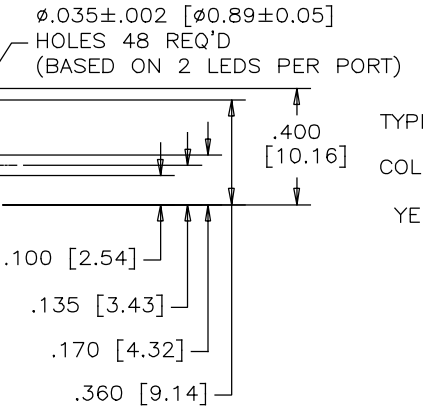
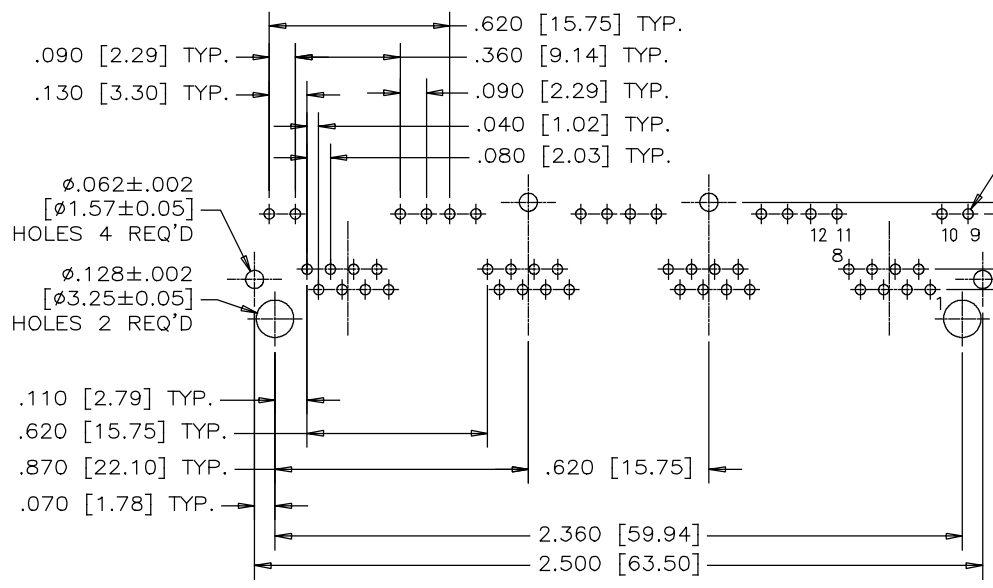
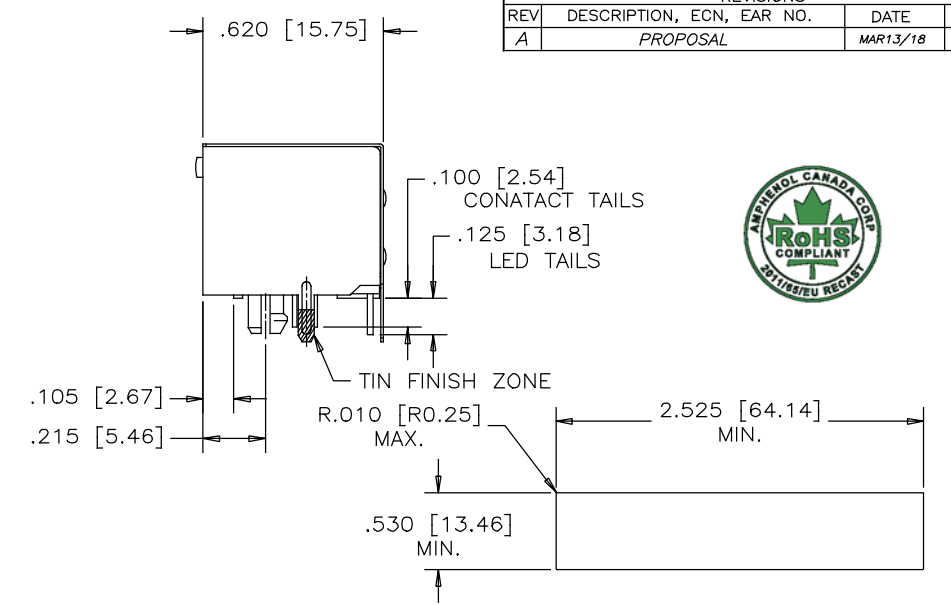
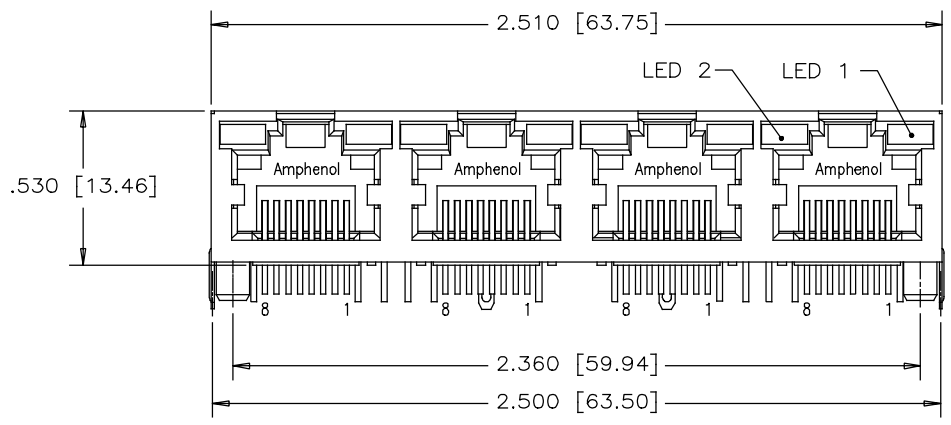
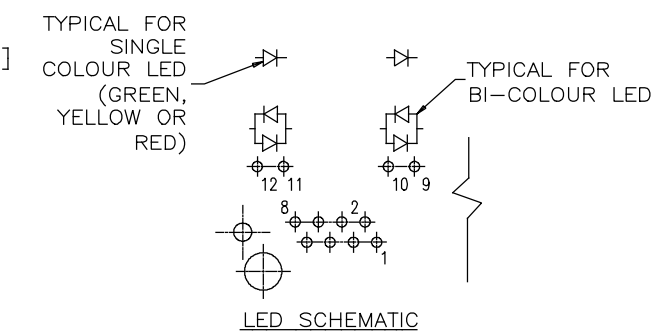


REVISIONS			
REV	DESCRIPTION, ECN, EAR NO.	DATE	APP'D
A	PROPOSAL	MAR13/18	L.CHAN



RECOMMENDED PANEL CUTOUT  
SCALE 1:2



RECOMMENDED P.C.B. LAYOUT  
(COMPONENT SIDE OF BOARD)

**MATERIALS:**  
PLASTIC HOUSING: HIGH TEMPERATURE THERMOPLASTIC  
FLAMMABILITY RATING UL 94V-0, COLOR BLACK

**CONTACTS:** PHOSPHOR BRONZE  
PLATING: GOLD PLATING ON MATING SURFACE.  
[SEE PART NUMBER FOR THICKNESS]  
50 μ" [1.27 MICRONS]  
MIN. NICKEL UNDERPLATE  
100 μ" [2.54 MICRONS]  
MIN. MATTE TIN ON CONTACT TAILS.

**SHIELD:** STAINLESS STEEL WITH TIN FINISH ON SOLDER TAIL

LOCATE HOLES  
⌀ .005 [0.13]  
POSITION DIMENSIONS  
ARE BASIC

PART NUMBER: RJHSE-XF8X-04

GOLD PLATING  
E=RJ45 FLAT CONTACT 6u"  
G=RJ45 FLAT CONTACT 15u"  
J=RJ45 FLAT CONTACT 30u"  
5=RJ45 FLAT CONTACT 50u"

REFER TO LED OPTIONS  
DRAWING FOR ORDERING  
CODES

UNLESS SPECIFIED OTHERWISE		DRAWN	W.QIU	DATE	MAR13/18
PRIMARY UNITS	INCH	CHECKED	L.CHAN	DATE	MAR13/18
SECONDARY UNITS	MILLIMETER	M.E. APP'D			
REFERENCE IN PARENTHESES		Q.A. APP'D			
GENERAL TOLERANCES		DWG APPR.			
1 DECIMAL PLACE	±0.025	ENG. REL. NO.			
2 DECIMAL PLACES	±0.020	REF.			
3 DECIMAL PLACES	±0.015	THIRD ANGLE PROJECTION			
ANGULAR DEGREES	±1.0°	DO NOT SCALE DRAWING			

**Amphenol Canada Corp.**  
www.amphenolcanada.com

TITLE  
FOUR-PORT HIGH SPEED MODULAR JACK,  
8 POSITIONS, 8 CONTACTS, WITH LED,  
SHIELD WITH NO TABS-RoHS COMPLIANT

DWG. NO.  
P-RJHSE-XF8X-04

REV  
A

CODE ID NO. 03554 DWG SIZE: C SCALE: N/A SHEET 1 OF 1