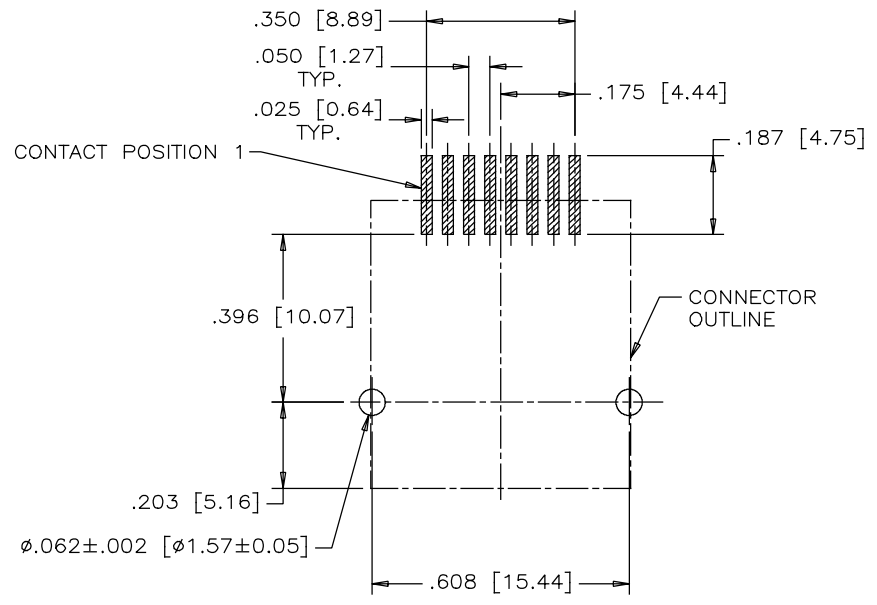
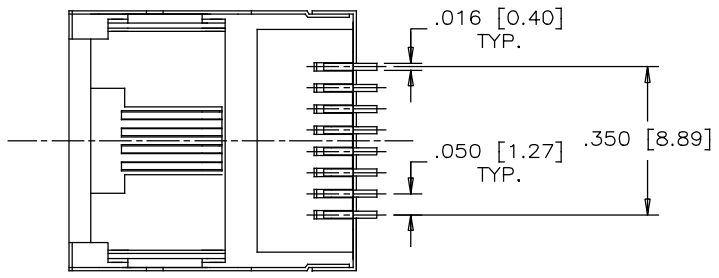
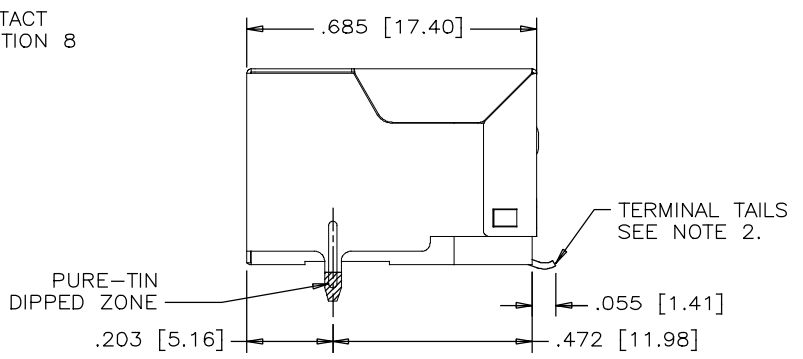
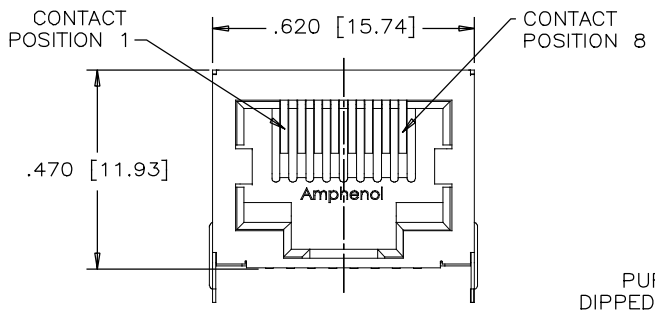


REVISIONS			
REV	DESCRIPTION, ECN, EAR NO.	DATE	APP'D
A	PROPOSAL	JUN28/19	L.CHAN



RECOMMENDED P.C.B. LAYOUT
(COMPONENT SIDE OF BOARD)

- NOTE:
- MATERIALS:
 - HOUSING: HIGH TEMPERATURE RESISTANT NYLON. FLAMMABILITY RATING UL 94V-0
 - CONTACTS: PHOSPHOR BRONZE
 - PLATING: SELECTIVELY GOLD PLATING ON MATING AREAS REFER TO AMPHENOL PART NO. 50 U" [1.27 MICRONS] MIN. NICKEL UNDERPLATE. 100 U" [2.54 MICRONS] MIN. MATTE-TIN ON CONTACT TAILS. COPPER ALLOY, NICKEL PLATED WITH PURE-TIN DIPPED ON SOLDER TAIL
 - SHIELD: COPPER ALLOY, NICKEL PLATED WITH PURE-TIN DIPPED ON SOLDER TAIL
 - COPLANARITY SPECIFICATION: WITH THE MODULAR JACK SITTING ON A LEVEL SURFACE, THE MAXIMUM GAP BETWEEN THE LEVEL SURFACE AND ALL TERMINAL TAILS AND BOTH FITTING NAILS IS .004 [0.10].

AMPHENOL PART NO.: RJLSE-4X38X-01T

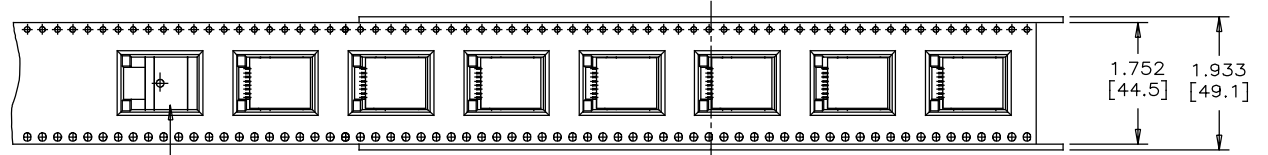
- | | |
|-----------------------|-----------------------|
| GOLD PLATING OPTION: | HOUSING COLOR OPTION: |
| 0 = GOLD FLASH | 0 = WHITE HOUSING |
| 1 = 15u" GOLD PLATING | 1 = BLACK HOUSING |
| 2 = 30u" GOLD PLATING | 2 = YELLOW HOUSING |
| 3 = 50u" GOLD PLATING | 3 = RED HOUSING |
| | 8 = GREEN HOUSING |

UNLESS SPECIFIED OTHERWISE		DRAWN RONNIE.C	JUN28/19	Amphenol Canada Corp. Commercial Products
PRIMARY UNITS INCHES	CHECKED L.CHAN	JUN28/19		
SECONDARY MILLIMETERS	M.E. APP'D			SURFACE MOUNT MODULAR JACK, 8 POSITION, 8 CONTACTS, WITH SHIELD, GOLD PLATING AND HOUSING COLOR OPTIONS, WITH T&R PACKAGING-ROHS COMPLIANT
REFERENCE IN PARENTHESES	Q.A. APP'D			
GENERAL TOLERANCES		DWG APP'D		DWG NO. P-RJLSE-4X38X-01T
1 DECIMAL PLACE	ENG. REL NO.	REF.		
2 DECIMAL PLACES				REV A
3 DECIMAL PLACES ±.015				
ANGULAR DEGREES ±1.5°				

REVISIONS			
REV	DESCRIPTION, ECN, EAR NO.	DATE	APP'D
A	PROPOSAL	JUN28/19	L.CHAN



← DIRECTION OF CONNECTOR LOADED INTO MACHINE.
LEADS FACING FRONT SIDE

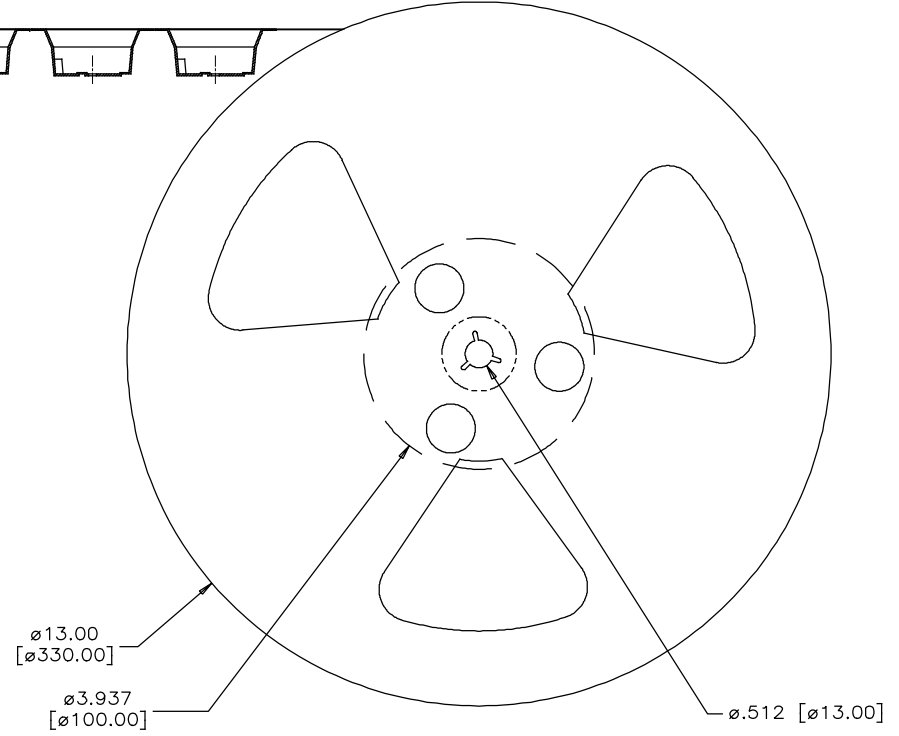
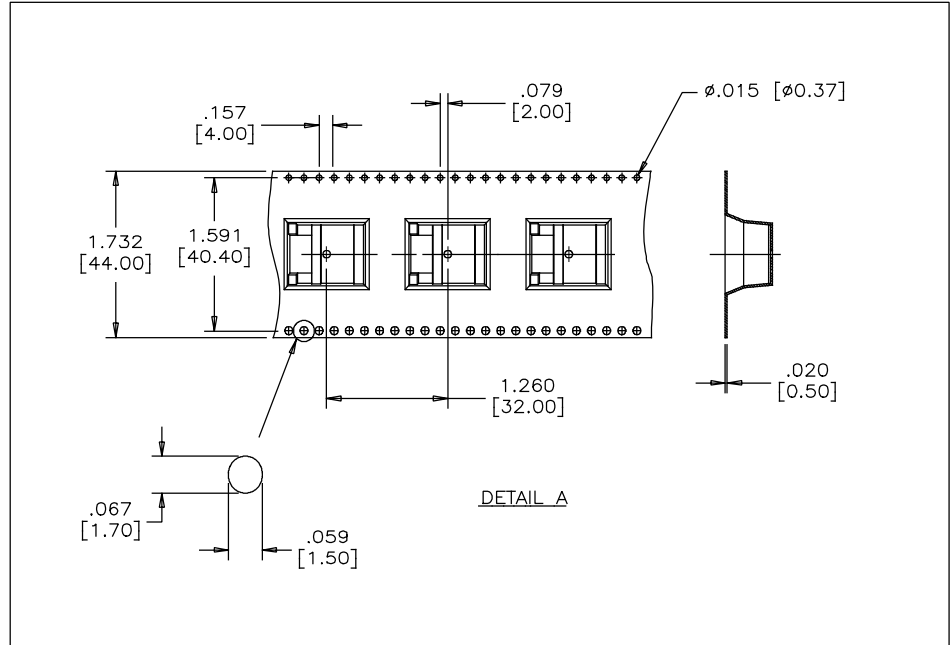
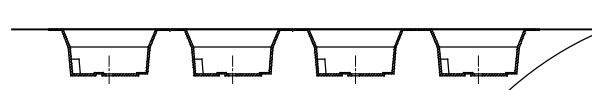


SEE DETAIL 'A' BELOW FOR CARRIER TAPE DETAIL

TOP VIEW
(COVER TAPE NOT SHOWN)
(SHOWN WITH RJLSE 8 POSITION CONNECTOR)

PACKAGING NOTES:

- ONE REEL SHOULD HOLD 100 CONNECTORS.
- 25 EMPTY CAVITIES FOR CARRIER TAPE LEADER & 15 EMPTY CAVITIES FOR CARRIER TAPE TRAILER.
- A FULLY LOADED CARTON SHOULD CONTAIN 5 REELS (500 PCS) OF CONNECTORS.



UNLESS SPECIFIED OTHERWISE		DRAWN	RONNIE.C	JUN28/19	Amphenol Canada Corp. Commercial Products				
PRIMARY UNITS	INCHES	CHECKED	L.CHAN	JUN28/19					
SECONDARY	MILLIMETERS	M.E.	APP'D		SURFACE MOUNT MODULAR JACK, 8 POSITION, 8 CONTACTS, WITH SHIELD, GOLD PLATING AND HOUSING COLOR OPTIONS, WITH T&R PACKAGING-ROHS COMPLIANT				
REFERENCE IN PARENTHESES		Q.A.	APP'D						
GENERAL TOLERANCES		DWG	APP'D		DWG NO.				
1 DECIMAL PLACE		ENG.	REL. NO.		P-RJLSE-4X38X-01T				
2 DECIMAL PLACES		REF.							
3 DECIMAL PLACES	± 0.15	THIRD ANGLE PROJECTION		DO NOT SCALE DRAWING	REV				
ANGULAR DEGREES	$\pm 1.5^\circ$				A				
		CODE ID NO.	03554	DWG SIZE	X	SCALE	N/A	SHEET	2 OF 2