

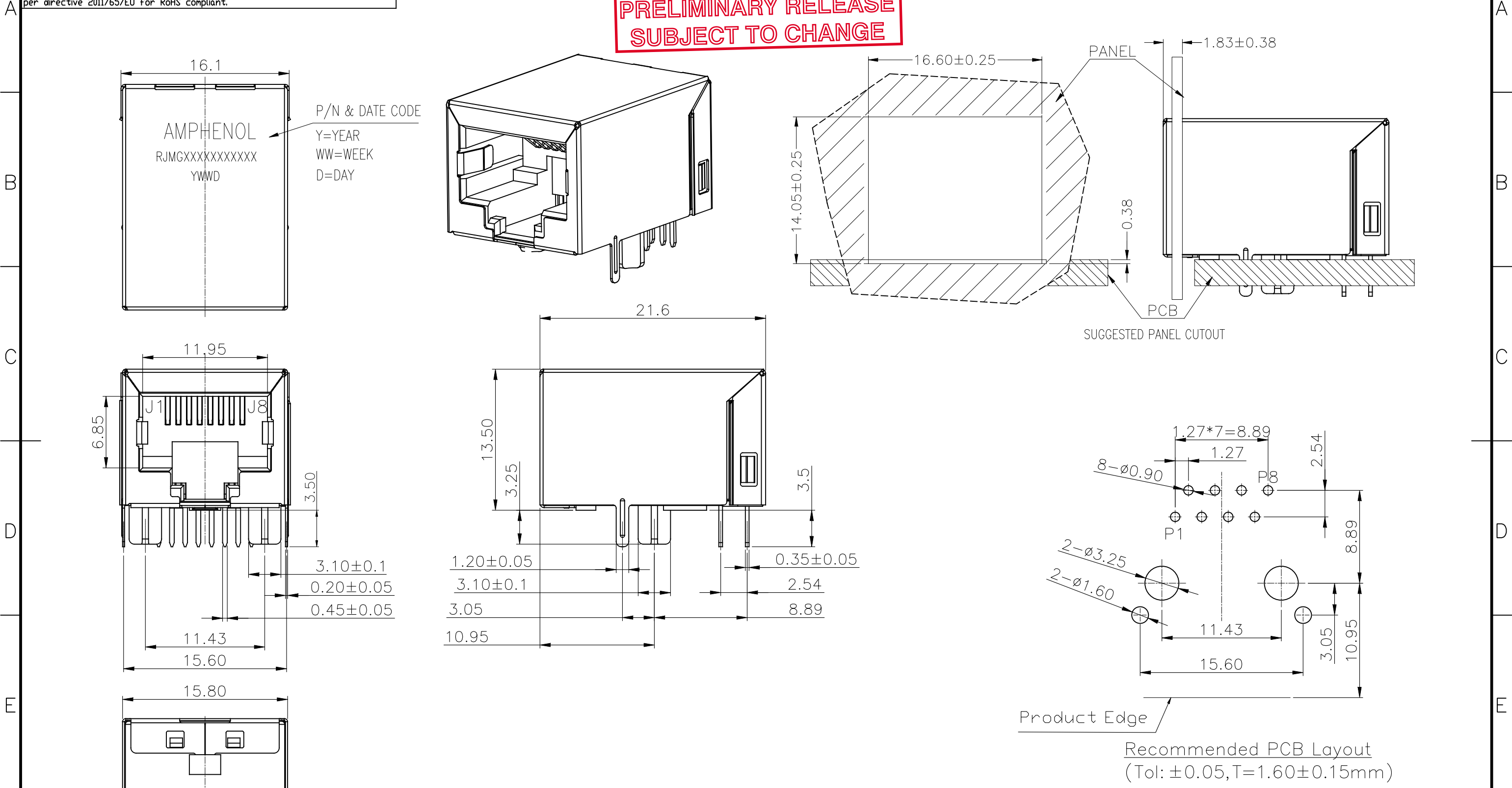
This document is the property of Amphenol Corporation and is delivered on the express condition that is not to be disclosed, reproduced or used, in whole or in part, for manufacture or sale by anyone other than Amphenol Corporation without its prior consent, and that no right is granted to disclose or to use any information in this document.

The marking on this product doesn't contain environmental hazardous materials per Material Specification SS-00259 for Sony GP compliant or per directive 2011/65/EU for RoHS compliant.

REVISIONS				
SYM	ECN No.	DESCRIPTION	DATE	APPROVED
AX6	/	UPDATE DRAWING	03/11/2021	Roger Tsai

# CUSTOMER DRAWING

**PRELIMINARY RELEASE  
SUBJECT TO CHANGE**



TOLERANCE	APPROVALS	DATE	TITLE		Amphenol®	
X. ±0.30	DRAWN Benly Han	03/11/2021	RJ45 1X1 10/100 TYPE WITH FILTER		Amphenol Corporation Amphenol Taiwan Corporation	
X.X ±0.25	CHECKED Vivian Wen	03/11/2021				
X.XX ±0.15	APPROVED Roger Tsai	03/11/2021				
ANGULAR ±1°	DWG TYPE CUST DWG	PROJECT CODE -	UNIT mm/mm	SIZE A3	PART No. RJMG1S8008101XR	
UNLESS OTHERWISE SPECIFIED			SCALE NA	SHEET 1 OF 4	DWG No. RJMG1S8008101XR	REV. AX6

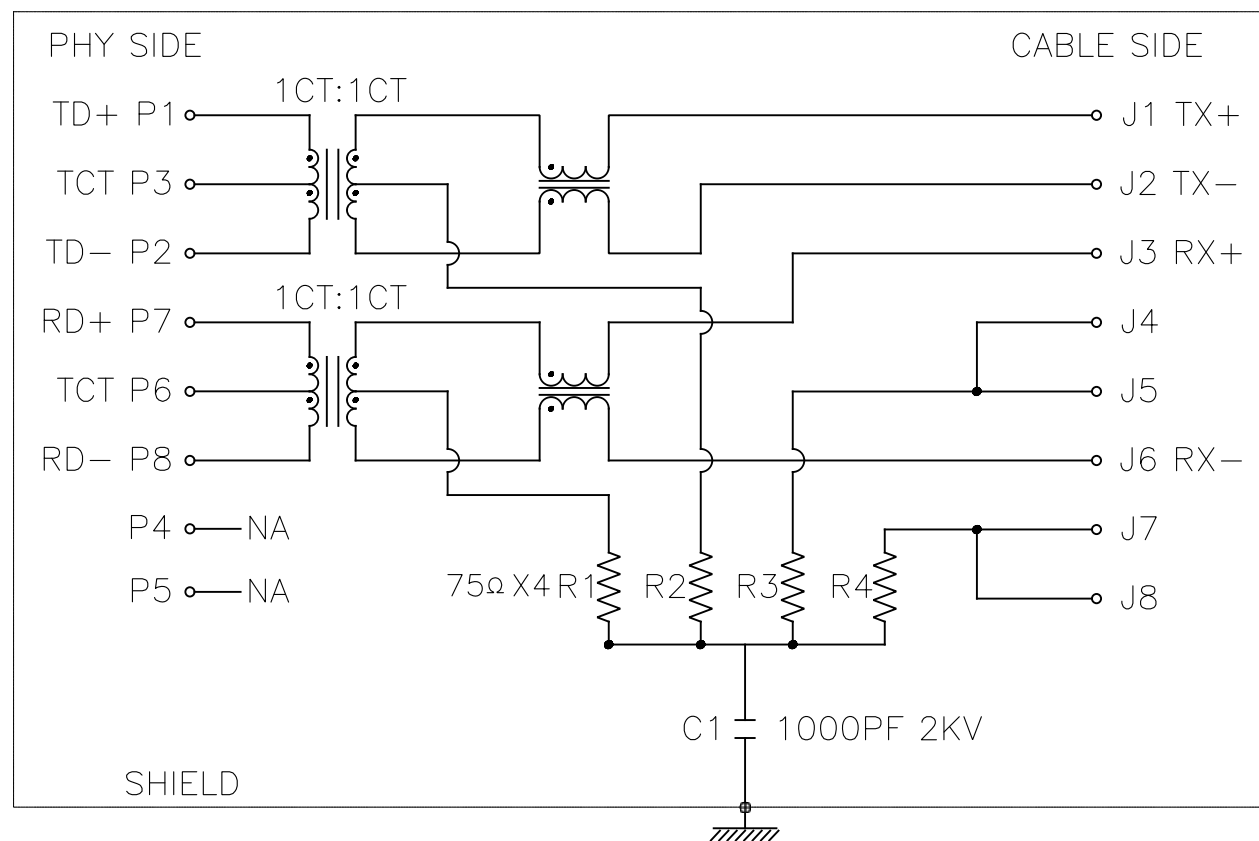
This document is the property of Amphenol Corporation and is delivered on the express condition that it is not to be disclosed, reproduced or used, in whole or in part, for manufacture or sale by anyone other than Amphenol Corporation without its prior consent, and that no right is granted to disclose or to use any information in this document.

The marking on this product doesn't contain environmental hazardous materials per Material Specification SS-00259 for Sony GP compliant or per directive 2011/65/EU for RoHS compliant.

# CUSTOMER DRAWING

REVISIONS				
SYM	ECN No.	DESCRIPTION	DATE	APPROVED
AX5	/	UPDATE DRAWING	03/11/2021	Roger Tsai

## SCHEMATIC DRAWING



## MATERIALS:

### 1.Terminal Parts:

- 1.1.RJ Terminal :Phosphor Bronze,C5191,Thickness=0.30mm  
Finish:gold plating(SEE P/N) on contact area,100u" min. tin on solder tail area,underplating 50u" MIN. Nickel over all.
- 1.2.RJ input Terminal :Brass,Thickness=0.35mm  
Finish:100u" min. tin over 50u" MIN. Nickel.
- 1.3.Module Terminal :Brass,Thickness=0.25mm  
Finish:100u" min. tin over 50u" MIN. Nickel.

### 2.Plastic Parts:

- 2.1.Housing : HIGH TEMPERATURE PLASTIC  
Flame Class:UL94 V-0
- 2.2.Coil Case : HIGH TEMPERATURE PLASTIC  
Flame Class:UL94 V-0

### 3.Shell Parts:

- 3.1.Shield : Stainless steel,SUS304,Thickness=0.20mm,  
50u" MIN. Ni PLATED OVERALL

## OTHERS:

- 1.Operating Temperature : -40°C TO +85°C
- 2.Storage Temperature : -40°C TO +85°C
- 3.JACK CAVITY CONFORMS TO FCC RULES AND REGULATIONS  
PART 68 , SUBPART F
4. TEMPERATURE CONDITION OF IR  
REFLOW:260±3°C, 10S MAX.

## ELECTRICAL SPECIFICATION(@25° C) CONNECTOR PERFORMANCE

PARAMETER	LIMITS (MAX. OR MIN.)	FREQUENCY RANGE/ TEST CONDITIONS
INSERTION LOSS (RX/TX)	-1.0dB MAX.	1-100 MHz
RETURN LOSS (RX/TX)	-16dB MIN. -12dB MIN. -10dB MIN.	1-30 MHz 30-60 MHz 60-80 MHz
CROSSTALK ISOLATION (RX/TX)	-30dB MIN.	1-100 MHz
HIPOT (ISOLATION)	2250V DC	60 Sec.
OCL	350uH MIN.	100KHz 100mV 8mA
TURN RATIO	1:1±5%	

PART NO. RJMG1S8 0 0 8101 X R

## Plating and Packaging:

- B: gold 6u", tray
- C: gold flash, tray
- D: gold 15u", tray
- E: gold 30u", tray
- F: gold 50u", tray
- 8: gold 6u", tape&reel
- 0: gold flash, tape&reel
- 1: gold 15u", tape&reel
- 2: gold 30u", tape&reel
- 3: gold 50u", tape&reel



TOLERANCE	APPROVALS	DATE	TITLE	UNIT		SIZE	PART No.
X. X.X ±0.30 X.XX ±0.25 X.XXX ±0.15	DRAWN Benly Han	03/11/2021	RJ45 1X1 10/100 TYPE WITH FILTER	mm	A3	RJMG1S8008101XR	
ANGULAR ±1°	CHECKED Vivian Wen	03/11/2021		SCALE NA	SHEET 2 OF 4	DWG No. RJMG1S8008101XR	
UNLESS OTHERWISE SPECIFIED	APPROVED Roger Tsai	03/11/2021				REV. AX6	
	DWG TYPE CUST DWG	PROJECT CODE -					

**PRELIMINARY RELEASE  
SUBJECT TO CHANGE**

This document is the property of Amphenol Corporation and is delivered on the express condition that is not to be disclosed, reproduced or used, in whole or in part, for manufacture or sale by anyone other than Amphenol Corporation without its prior consent, and that no right is granted to disclose or to use any information in this document.

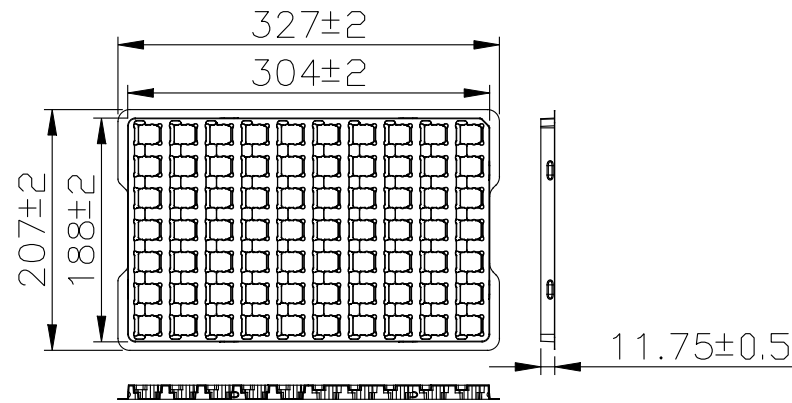
The marking on this product doesn't contain environmental hazardous materials per Material Specification SS-00259 for Sony GP compliant or per directive 2011/65/EU for RoHS compliant.

# CUSTOMER DRAWING

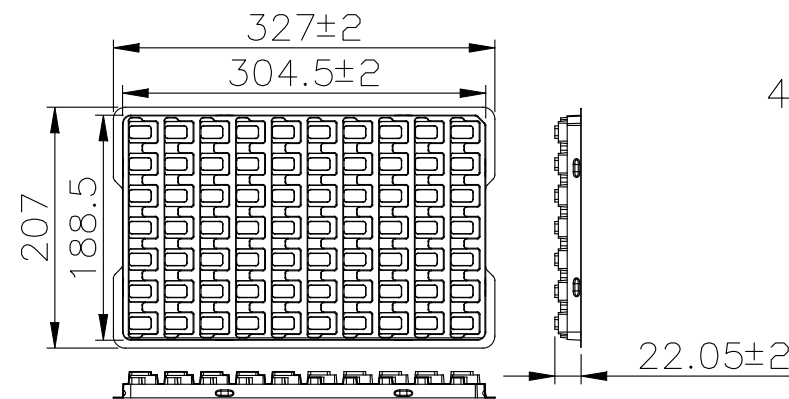
REVISIONS				
SYM	ECN No.	DESCRIPTION	DATE	APPROVED
AX5	/	UPDATE DRAWING	03/11/2021	Roger Tsai

**PRELIMINARY RELEASE  
SUBJECT TO CHANGE**

## 1. Tray Size



Bottom Cover : 207mm\*327mm\*11.75mm

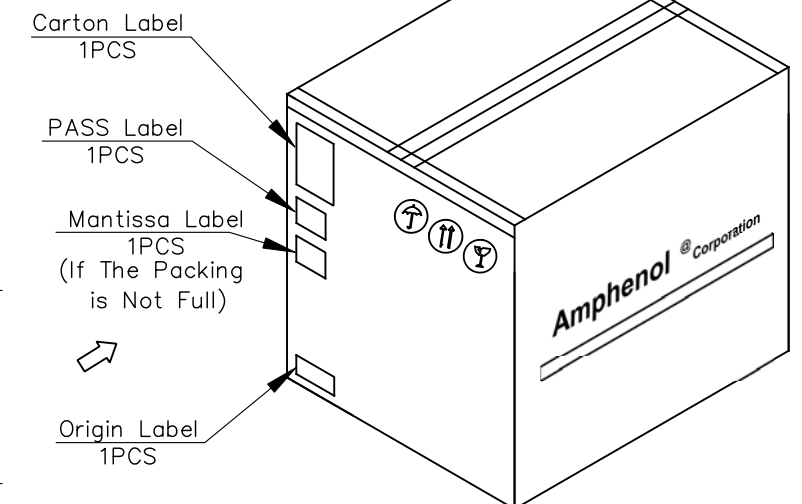
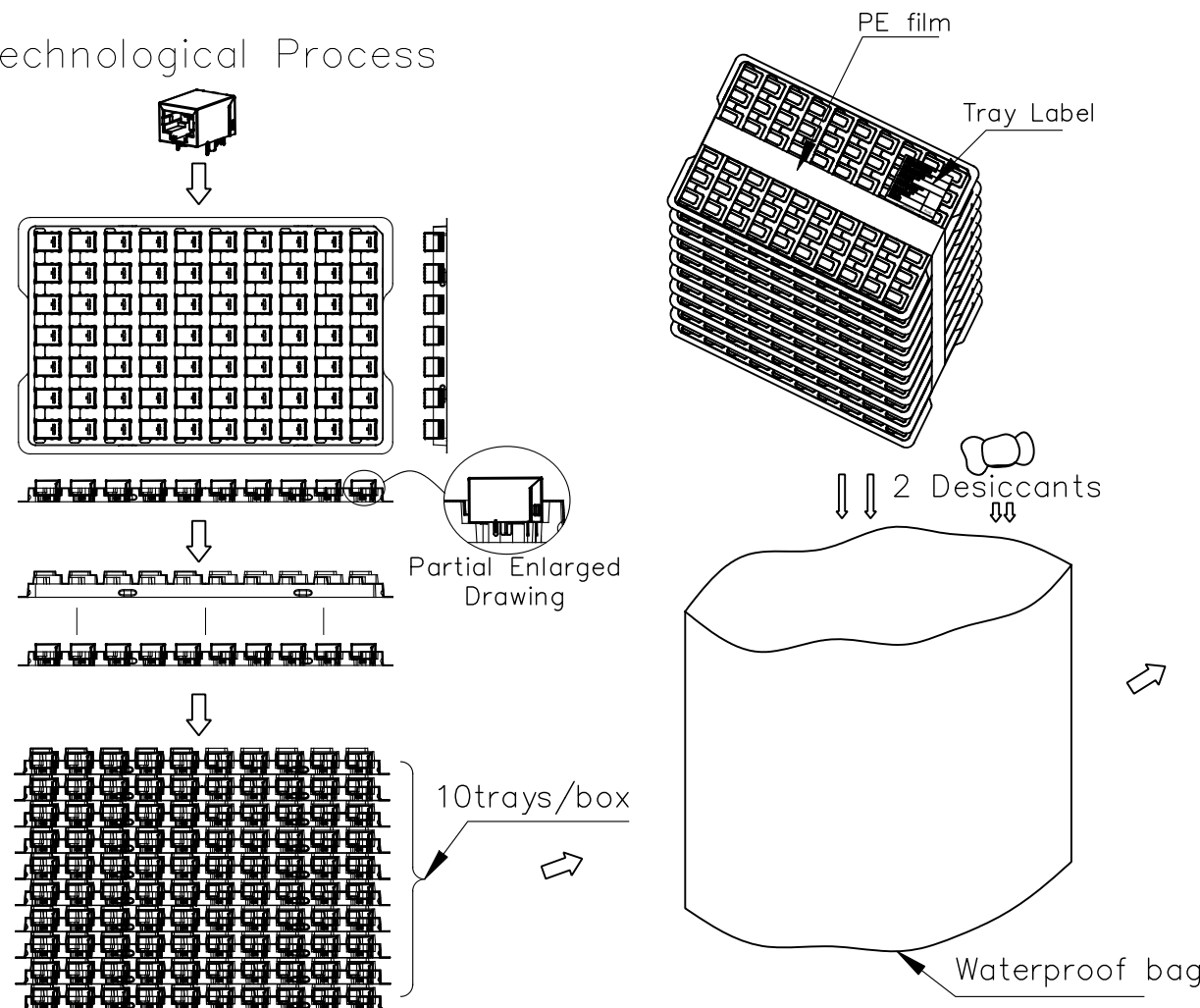


Top Cover: 207mm\*327mm\*22.05mm

## 4. Package Quantity

pcs/tray	tray/box	pcs/box
70	10	700

## 2. Technological Process



700 PCS/CARTON

## 3. Packing Materials

List	Packing Size
Bottom Cover	327X207X11.75mm
Top Cover	327X207X22.05mm
Carton	340X215X255mm

TOLERANCE	APPROVALS	DATE	TITLE		Amphenol®	
X. ±0.30	DRAWN Benly Han	03/11/2021	RJ45 1X1 10/100 TYPE WITH FILTER		Amphenol Corporation Amphenol Taiwan Corporation	
X.X ±0.25	CHECKED Vivian Wen	03/11/2021				
X.XXX ±0.15	APPROVED Roger Tsai	03/11/2021		UNIT	SIZE	PART No.
ANGULAR ±1°	DWG TYPE CUST DWG	PROJECT CODE -		mmmm	A3	RJMG1S8008101XR
UNLESS OTHERWISE SPECIFIED			SCALE	SHEET	DWG No.	REV.
			NA	3 OF 4	RJMG1S8008101XR	AX6

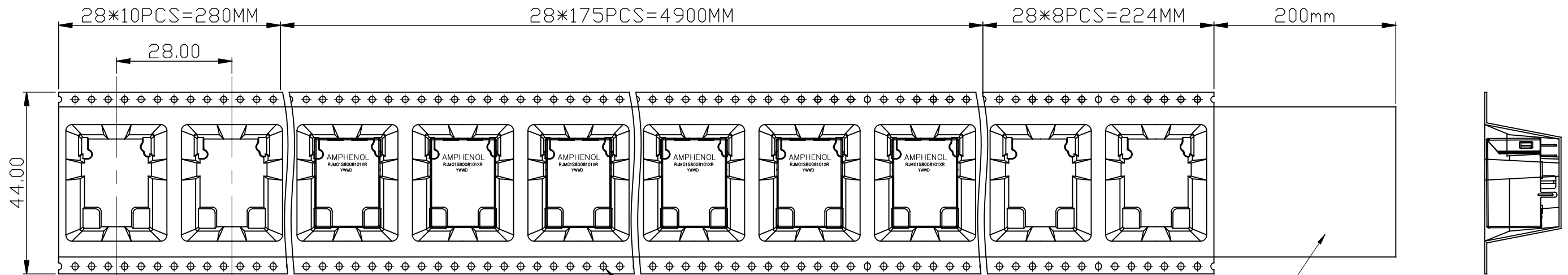
This document is the property of Amphenol Corporation and is delivered on the express condition that it is not to be disclosed, reproduced or used, in whole or in part, for manufacture or sale by anyone other than Amphenol Corporation without its prior consent, and that no right is granted to disclose or to use any information in this document.

The marking on this product doesn't contain environmental hazardous materials per Material Specification SS-00259 for Sony GP compliant or per directive 2011/65/EU for RoHS compliant.

# CUSTOMER DRAWING

REVISIONS				
SYM	ECN No.	DESCRIPTION	DATE	APPROVED
AX5	/	UPDATE DRAWING	03/11/2021	Roger Tsai

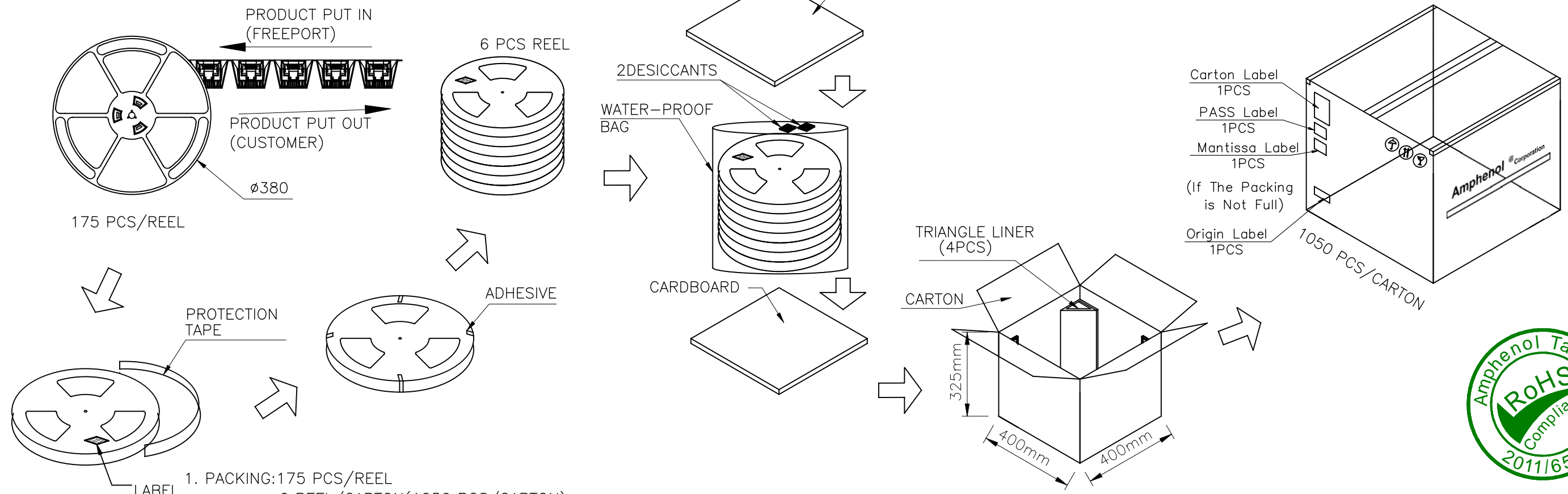
**PRELIMINARY RELEASE  
SUBJECT TO CHANGE**



THE DIRECTION OF  
PRODUCT PUT OUT  
PACKING 175 PCS PRODUCT

ELLIPSE HOLE

COVER



1. PACKING: 175 PCS/REEL  
6 REEL/CARTON (1050 PCS/CARTON)
2. AFTER REELING DIRECTION MUST HAVE  
8 EMPTY CARRIER (224mm)
3. BEFORE UNREELING DIRECTION MUST HAVE  
10 EMPTY CARRIER (280mm)

PART NAME	PCS/REEL	REEL/CARTON	PCS/TOTAL
RJMG1S8008101BR	175	6	1050

TOLERANCE	APPROVALS	DATE	TITLE	UNIT		SIZE	PART No.
X. ±0.30	DRAWN Benly Han	03/11/2021	RJ45 1X1 10/100 TYPE WITH FILTER	mm	A3	RJMGS8008101XR	
X.X ±0.25	CHECKED Vivian Wen	03/11/2021					
X.XX ±0.15	APPROVED Roger Tsai	03/11/2021	UNLESS OTHERWISE SPECIFIED	SCALE NA	SHEET 4 OF 4	DWG No. RJMG1S8008101XR	
ANGULAR ±1°	DWG TYPE CUST DWG	PROJECT CODE -		REV. AX6			

