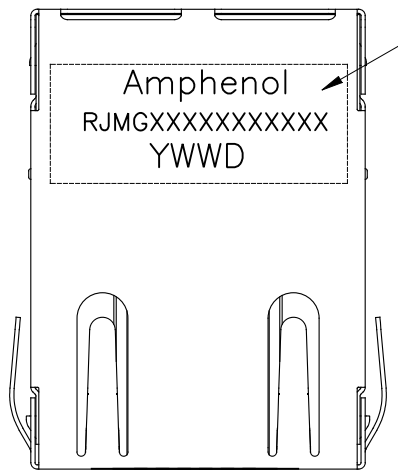


This document is the property of Amphenol Corporation and is delivered on the express condition that is not to be disclosed, reproduced or used, in whole or in part, for manufacture or sale by anyone other than Amphenol Corporation without its prior consent, and that no right is granted to disclose or to use any information in this document.

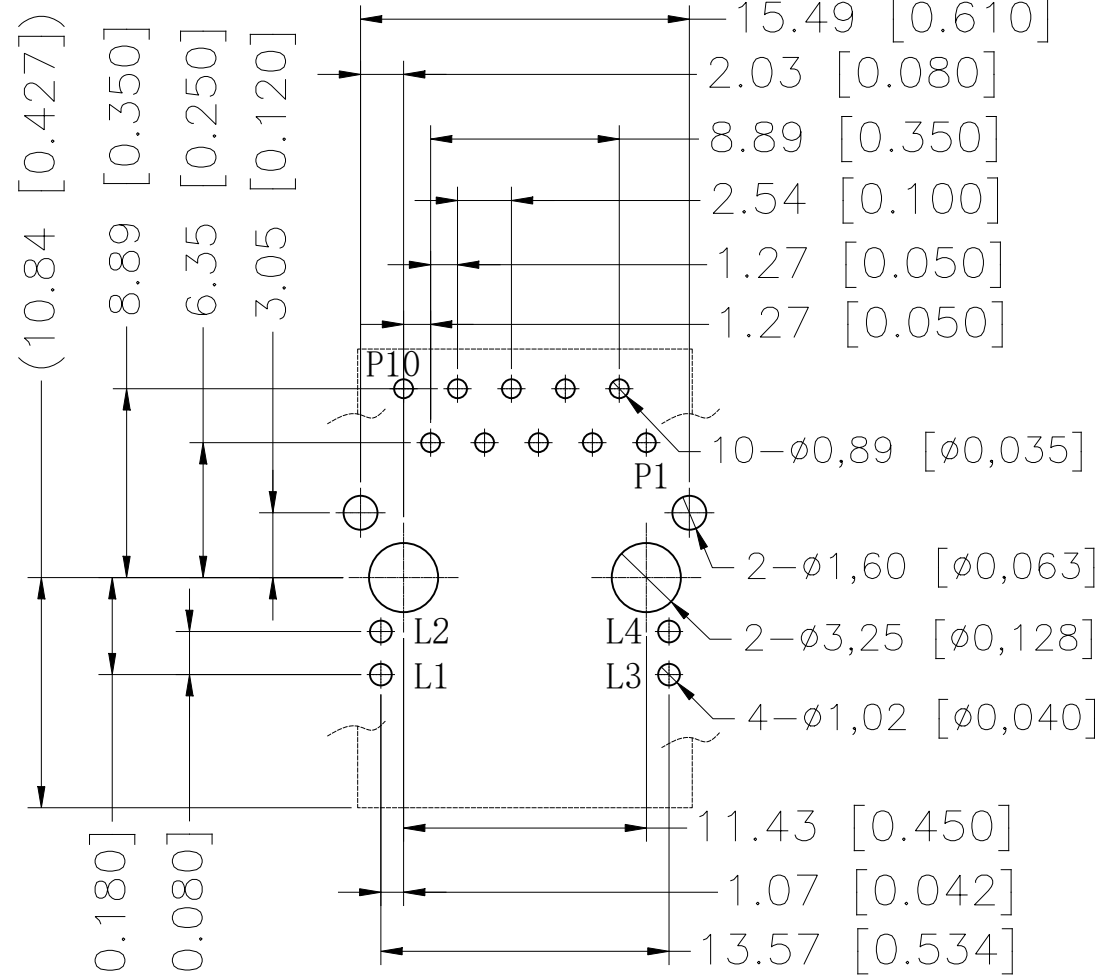
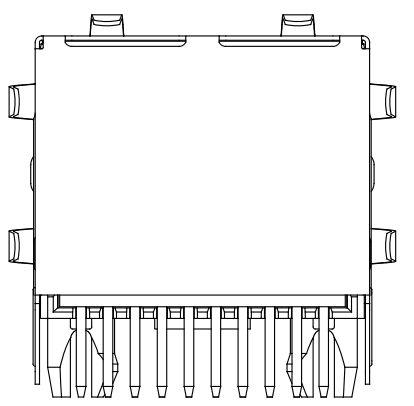
The marking on this product doesn't contain environmental hazardous materials per Material Specification SS-00259 for Sony GP compliant or per directive 2011/65/EU for RoHS compliant.

# CUSTOMER DRAWING

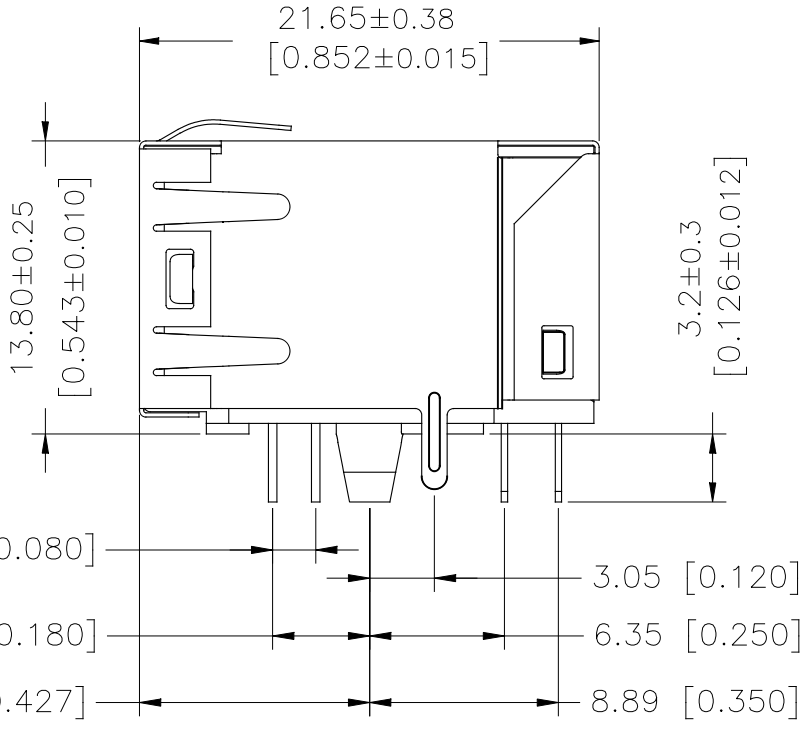
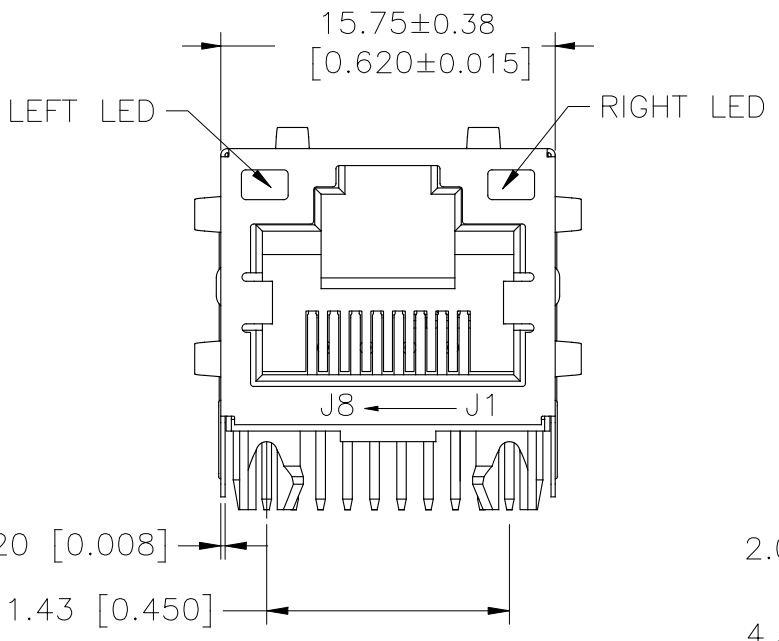
REVISIONS				
SYM	ECN No.	DESCRIPTION	DATE	APPROVED
AX1	-	NEW PROPOSAL DRAWING	11/06/2018	Lawrence Chan
AX2	-	UPDATE DRAWING	06/24/2020	Roger Tsai



Printing area  
 Y=YEAR  
 WW=WEEK  
 D=DAY



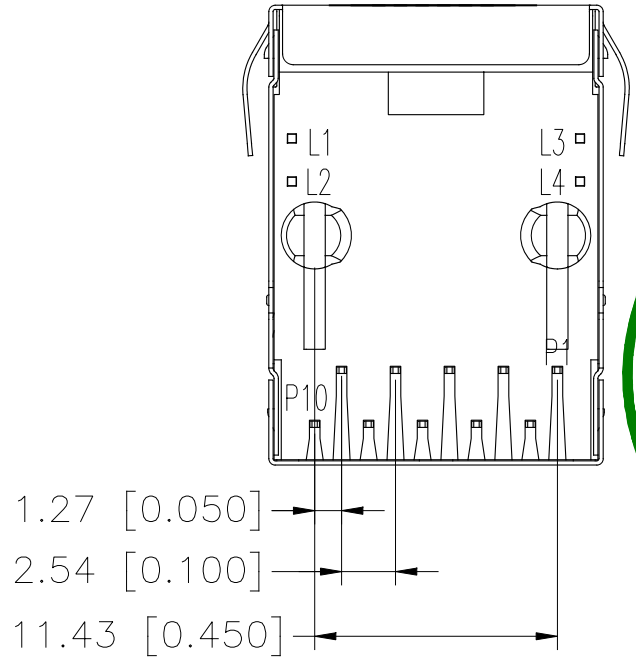
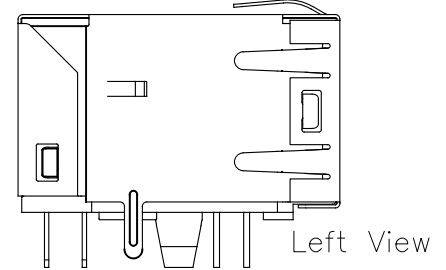
RECOMMENDED PCB LAYOUT  
(COMPONENT SIDE VIEW)



PART NO. RJMG201K2 X X 20 X R

- LED1(RIGHT SIDE) OPTIONS  
 LED2 (LEFT SIDE) OPTION
- 0- No LED (Blocked Hole)
  - 1- Green
  - 2- Yellow
  - 3- Red
  - 4- Bi-color Green/Yellow
  - 5- Bi-color Red/Green
  - 6- Bi-color Green/Orange
  - 7- Bi-color Red/Yellow

Plating and Packaging Option:  
 B: gold 6u", tray  
 C: gold flash, tray  
 D: gold 15u", tray  
 E: gold 30u", tray  
 F: gold 50u", tray



TOLERANCE	APPROVALS	DATE	TITLE		UNIT		SIZE		PART No.	
X. $\pm$ 0.35	DRAWN Benly Han	06/24/2020	RJMG21X SERIES		mm		A3		RJMG201K2XX20XR	
X.X $\pm$ 0.25	CHECKED Vivian Wen	06/24/2020	1000BASE-T TOP ENTRY		SCALE NA		SHEET 1 OF 2		RJMG201K2XX20XR	
X.XX $\pm$ 0.15	APPROVED Roger Tsai	06/24/2020	SINGLE PORT WITH FILTER		NA		1 OF 2		REV. AX2	
ANGULAR $\pm$ 1°	DWG TYPE CUST DWG	PROJECT CODE RJMG								
UNLESS OTHERWISE SPECIFIED										

This document is the property of Amphenol Corporation and is delivered on the express condition that is not to be disclosed, reproduced or used, in whole or in part, for manufacture or sale by anyone other than Amphenol Corporation without its prior consent, and that no right is granted to disclose or to use any information in this document.

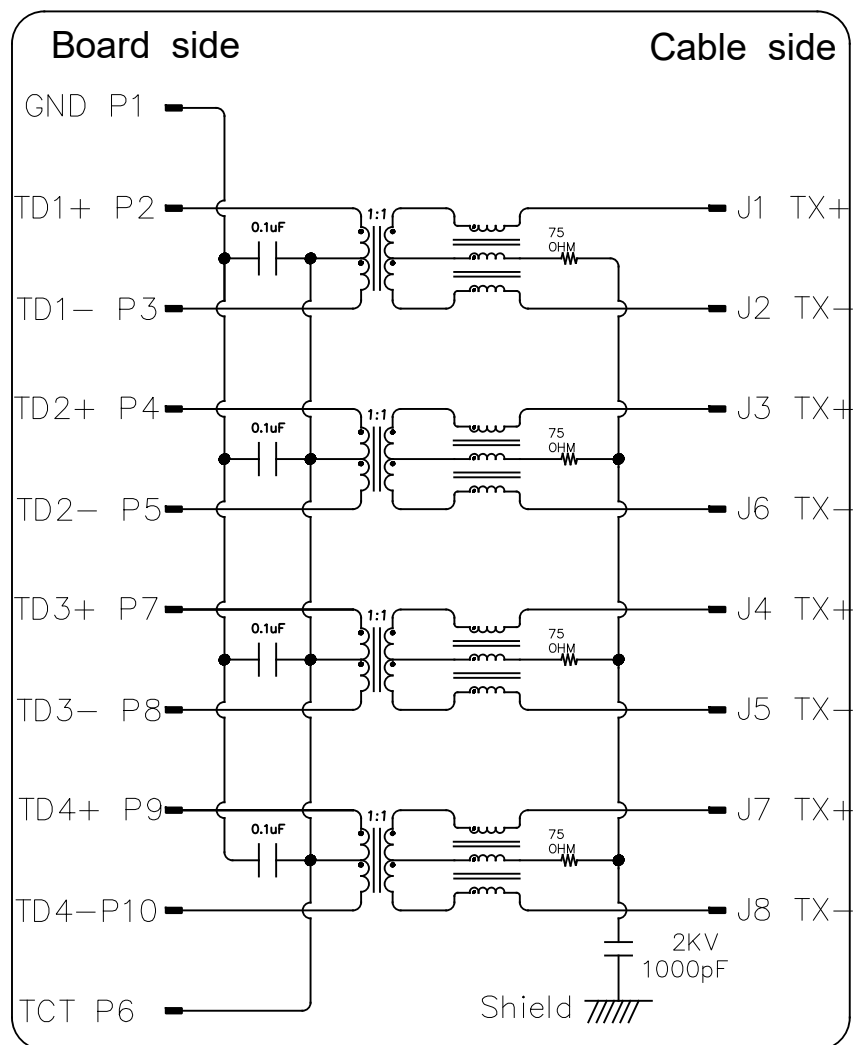
The marking on this product doesn't contain environmental hazardous materials per Material Specification SS-00259 for Sony GP compliant or per directive 2011/65/EU for RoHS compliant.

# CUSTOMER DRAWING

REVISIONS				
SYM	ECN No.	DESCRIPTION	DATE	APPROVED
AX1	-	NEW PROPOSAL DRAWING	11/06/2018	Lawrence Chan
AX2	-	UPDATE DRAWING	06/24/2020	Roger Tsai

## ELECTRICAL CHARACTERISTICS :

### SCHEMATIC FOR RJ45:

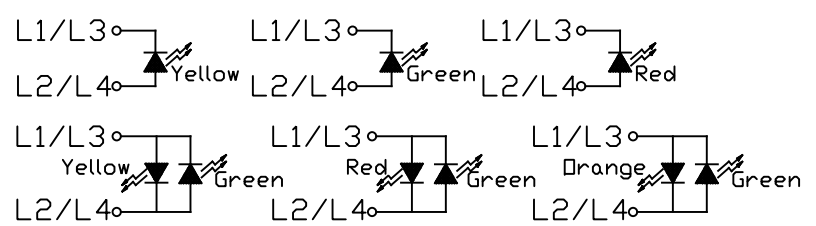


- INSERTION LOSS :
  - 1~100 MHz -1.0dB MAX.
- RETURN LOSS(LOAD 100Ω) :
  - 1~30 MHz -18dB MIN
  - 30~60 MHz -16dB MIN
  - 60~80 MHz -12dB MIN
  - 80~100 MHz -10dB MIN
- COMMON MODE REJECTION
  - 1~100 MHz -30dB MIN
- CROSS TALK
  - 1~100 MHz -30dB MIN
- INDUCTANCE @ 100KHz, 0.1V, 8mA DC BIAS
  - (P2-P3),(P4-P5),(P7-P8),(P9-P10) : 350 uH MIN
- HI-POT TEST
  - PCB SIDE TO CABLE SIDE : 2250VDC 60S
- TURNS RATION 100KHz
  - (P2-P3) : (J1-J2) = 1:1 ±%5
  - (P4-P5) : (J3-J6) = 1:1 ±%5
  - (P7-P8) : (J4-J5) = 1:1 ±%5
  - (P9-P10) : (J7-J8) = 1:1 ±%5

- MATERIAL
  - HOUSING : LCP, UL 94V-0
  - CASE : LCP, UL 94V-0
  - RJ CONTACTS : PHOSPHOR BRONZE
  - PLATING : SELECT GOLD ON CONTACT AREA, 100U" MIN TIN PLATING ON SOLDER TAILS, 50~100u" NICKEL OVERALL
  - SOLDER TAIL TERMINAL : BRASS
  - PLATING : 100U" MIN TIN , 30U" MIN NICKEL OVERALL
- RJ45 SPECIFICATIONS
  - INSULATION RESISTANCE : 500 MOHMS MIN
  - INSERTION FORCE WITH THE LATCH DEPRESSED : 22N MAX
  - REMOVAL FORCE WITH THE LATCH DEPRESSED : 44N MAX
  - DURABILITY : 750 CYCLES
- OPERATING AND STORAGE TEMPERATURE
  - OPERATING TEMPERATURE : 0°C TO +70°C
  - STORAGE TEMPERATURE : -40°C TO +85°C
- TEMPERATURE CONDITION OF WAVE SOLDERING: 265±3°C/10±1s MAX.



### LED OPTIONS:



Emitting Color	λp (nm)	Vf @If=20mA	Ir @Vr=5V
Green	565	1.7V~2.6V	10μA max.
Yellow	585	1.7V~2.6V	10μA max.

TOLERANCE	APPROVALS	DATE	TITLE		Amphenol®				
X. X.X ±0.35 X.XX ±0.25 X.XXX ±0.15  ANGULAR ±1°  UNLESS OTHERWISE SPECIFIED	DRAWN	Benly Han	06/24/2020	RJMG21X SERIES		Amphenol Corporation Amphenol Taiwan Corporation PART No. RJMG201K2XX20XR DWG No. RJMG201K2XX20XR REV. AX2			
	CHECKED	Vivian Wen	06/24/2020	1000BASE-T TOP ENTRY					
	APPROVED	Roger Tsai	06/24/2020	SINGLE PORT WITH FILTER					
	DWG TYPE	CUST DWG	PROJECT CODE	RJMG	UNIT	mm	SIZE	A3	
					SCALE	NA	SHEET	2 OF 2	