

This document is the property of Amphenol Corporation and is delivered on the express condition that is not to be disclosed, reproduced or used, in whole or in part, for manufacture or sale by anyone other than Amphenol Corporation without its prior consent, and that no right is granted to disclose or to use any information in this document.

The marking on this product doesn't contain environmental hazardous materials per Material Specification SS-00259 for Sony GP compliant or per directive 2002/95/EC for RoHS compliant.

CUSTOMER DRAWING

ORIGINAL

REVISIONS				
SYM	ECN No.	DESCRIPTION	DATE	APPROVED
A		NEW RELEASE	12/23/2011	Roger Tsai
B	ECN-12-010	ADD NEW DASH NUMBER RJMG221C44430ER	08/06/2012	Tony Lin
C	NE-15135	UPDATE THE PACKING SPECIFICATION	11/04/2015	Roger Tsai
D	NE-16136	ADD P/N RJMG221F44430ER	06/14/2016	Roger Tsai

MATERIALS:

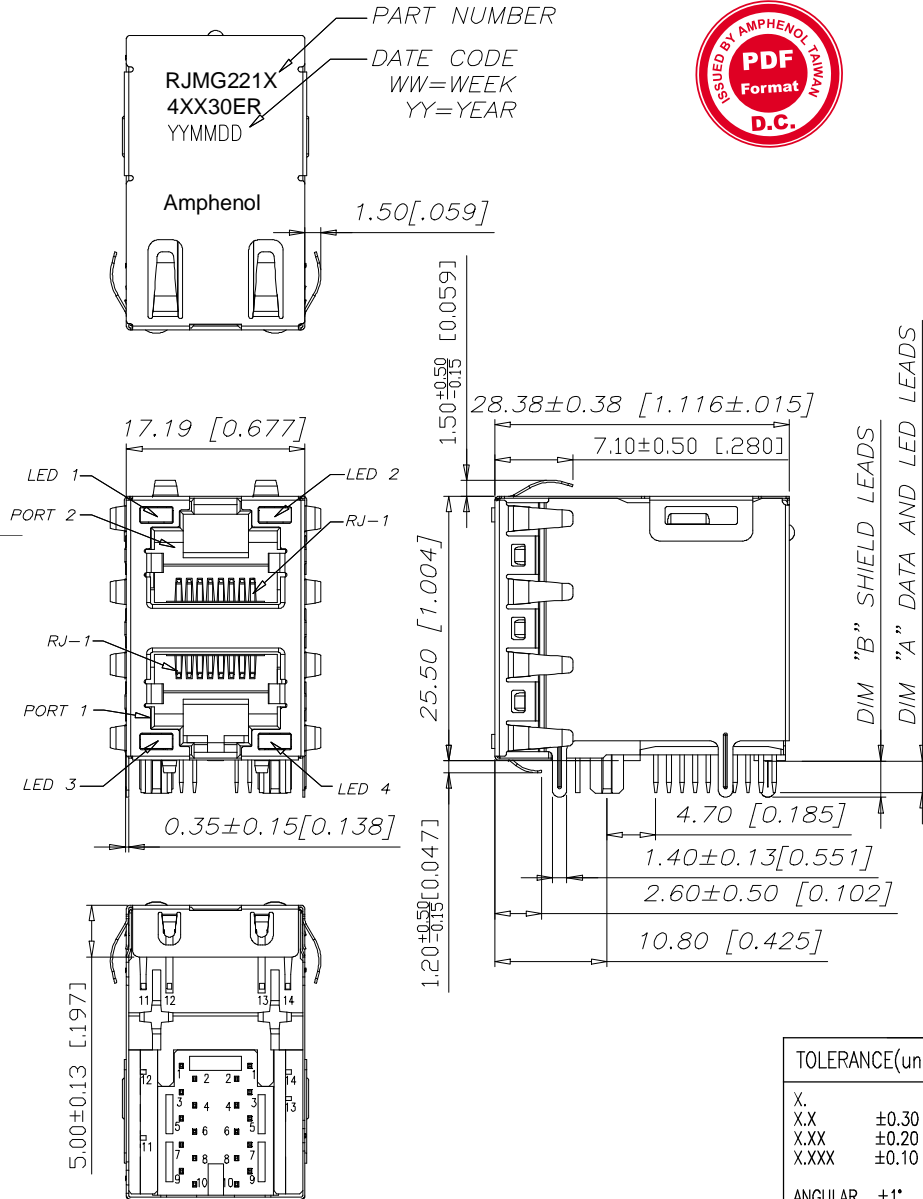
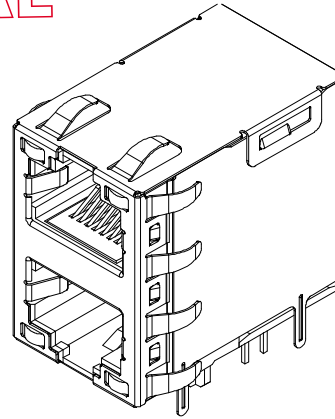
HOUSING: THERMOPLASTIC PA6T
COLOR: BLACK
FLAMMABILITY RATING UL 94V-0
CONTACTS (RJMAG): PHOSPHOR BRONZE
PLATING: 50u" MIN Ni UNDERPLATING.
 30u" MIN GOLD PLATING ON MATING SURFACES.
 120u" MIN PURE TIN ON TAILS.
SHIELD: STAINLESS STEEL

MECHANICAL FEATURES:

PACKAGING: 27PCS/PLASTIC TRAY,
 4 TRAYS/CARTON, 2 CARTON/MASTER CARTON
 MEET FCC PART 68.500 REQUIREMENTS.

ENVIRONMENTAL:

OPERATING TEMPERATURE: 0°C TO +70°C.
STORAGE TEMPERATURE: -40°C TO +85°C.
WAVE SOLDERING TEMPERATURE:
 260°C MAX FOR 10 SECONDS MAX.



3.18 [0.125]	3.18 [0.125]	GREEN/YELLOW	GREEN/YELLOW	GREEN/YELLOW	GREEN/YELLOW	RJMG221F44430ER
3.50 [0.138]	3.18 [0.125]	GREEN/YELLOW	GREEN/YELLOW	GREEN/YELLOW	GREEN/YELLOW	RJMG221D44430ER
3.81 [0.150]	3.81 [0.150]	GREEN/YELLOW	GREEN/YELLOW	GREEN/YELLOW	GREEN/YELLOW	RJMG221C44430ER
3.50 [0.138]	4.10 [0.161]	GREEN/YELLOW	GREEN/YELLOW	GREEN/YELLOW	GREEN/YELLOW	RJMG221B44430ER
3.50 [0.138]	3.04 [0.120]	YELLOW	GREEN	YELLOW	GREEN	RJMG221041230ER
3.50 [0.138]	3.04 [0.120]	GREEN	GREEN/ORANGE	GREEN	GREEN/ORANGE	RJMG221046130ER
3.50 [0.138]	3.04 [0.120]	GREEN/ORANGE	YELLOW	GREEN/ORANGE	YELLOW	RJMG221042630ER
3.50 [0.138]	3.04 [0.120]	GREEN/ORANGE	GREEN	GREEN/ORANGE	GREEN	RJMG221041630ER
3.50 [0.138]	3.04 [0.120]	GREEN/YELLOW	GREEN/YELLOW	GREEN/YELLOW	GREEN/YELLOW	RJMG221044430ER
3.50 [0.138]	3.04 [0.120]	GREEN/YELLOW	GREEN	GREEN/YELLOW	GREEN	RJMG221041430ER
3.50 [0.138]	3.04 [0.120]	GREEN	YELLOW	GREEN	YELLOW	RJMG221042130ER
3.50 [0.138]	3.04 [0.120]	GREEN	GREEN	GREEN	GREEN	RJMG221041130ER
3.50 [0.138]	3.04 [0.120]	WITHOUT LED	WITHOUT LED	WITHOUT LED	WITHOUT LED	RJMG221040030ER
DIM 'B' (SHIELD)	DIM 'A' (LED&SIGNAL)	LED 1 (UPPER LEFT)	LED 2 (UPPER RIGHT)	LED 3 (LOWER LEFT)	LED 4 (LOWER RIGHT)	PART NUMBER

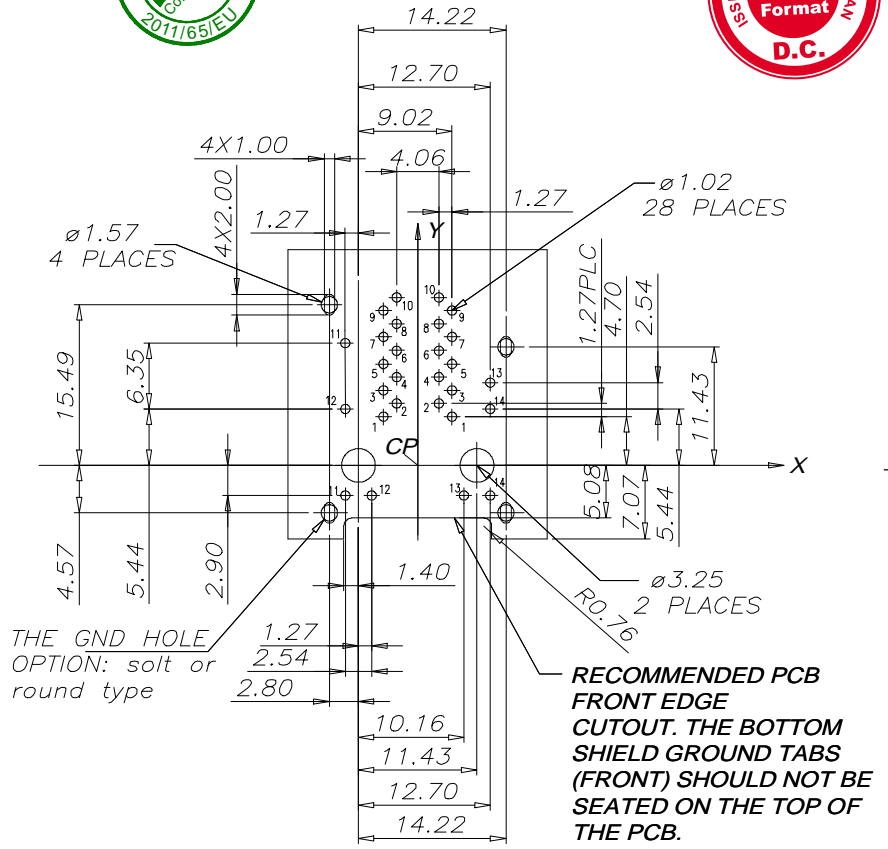
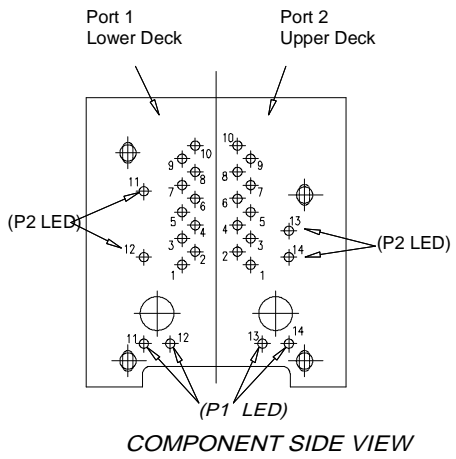
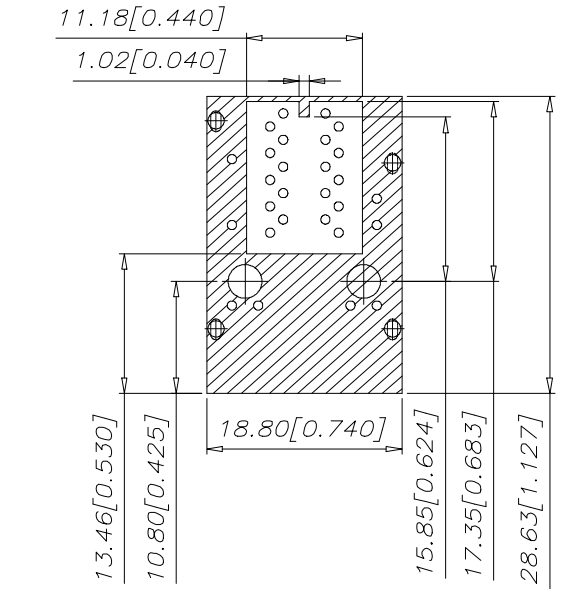
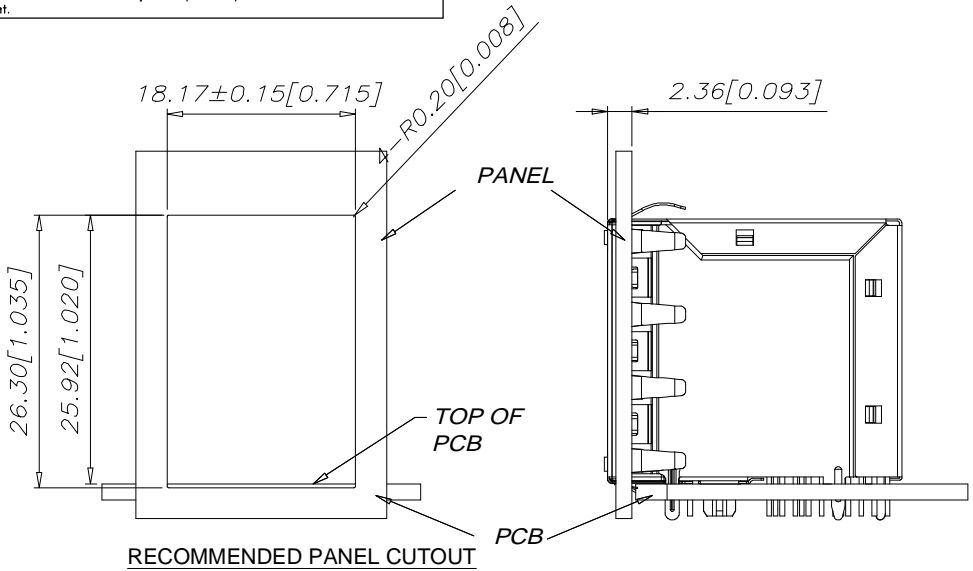
TOLERANCE(unit:mm)	APPROVALS	DATE	TITLE	Amphenol® Amphenol Corporation Amphenol Taiwan Corporation		
X. ±0.30	DRAWN Jophy Li	06/14/2016	RJMG2210 Series 2X1 1000 Base-T Series with LED options	UNIT	SIZE	PART No.
X.XX ±0.20	CHECKED Vivian Wen	06/14/2016		mm	A3	RJMG221X4XX30ER
X.XXX ±0.10	APPROVED Roger Tsai	06/14/2016		SCALE	SHEET	DWG No.
ANGULAR ±1°	DWG TYPE CUST DWG	PROJECT CODE GT286	NA	1 OF 5	RJMG221X4XX30ER	REV. D

This document is the property of Amphenol Corporation and is delivered on the express condition that is not to be disclosed, reproduced or used, in whole or in part, for manufacture or sale by anyone other than Amphenol Corporation without its prior consent, and that no right is granted to disclose or to use any information in this document.

The marking on this product doesn't contain environmental hazardous materials per Material Specification SS-00259 for Sony GP compliant or per directive 2002/95/EC for RoHS compliant.

ORIGINAL CUSTOMER DRAWING

REVISIONS				
SYM	ECN No.	DESCRIPTION	DATE	APPROVED
A		NEW RELEASE	12/23/2011	Roger Tsai
B	ECN-12-010	ADD NEW DASH NUMBER RJMG221C44430ER	08/06/2012	Tony Lin
C	NE-15135	UPDATE THE PACKING SPECIFICATION	11/04/2015	Roger Tsai
D	NE-16136	ADD P/N RJMG221F44430ER	06/14/2016	Roger Tsai



**RECOMMENDED P.C.B LAYOUT (GENERAL TOLERANCE: ±0.08)
COMPONENT SIDE OF BOARD**

THE SHADED AREA ON THE CUSTOMER BOARD ARE RECOMMENDED TO BE CLEAR OFF AND VIA HOLE OR COMPONENT PAD

TOLERANCE(unit:mm)	APPROVALS	DATE	TITLE	Amphenol®		
X, ±0.30	DRAWN Jophy Li	06/14/2016	RJMG2210 Series 2X1 1000 Base-T Series with LED options	Amphenol Corporation		
X.X, ±0.20				Amphenol Taiwan Corporation		
X.XX, ±0.10	CHECKED Vivian Wen	06/14/2016		UNIT mm	SIZE A3	PART No. RJMG221X4XX30ER
ANGULAR ±1°	APPROVED Roger Tsai	06/14/2016	SCALE NA	SHEET 2 OF 5	DWG No. RJMG221X4XX30ER	REV. D
UNLESS OTHERWISE SPECIFIED	DWG TYPE CUST DWG	PROJECT CODE GT286				

This document is the property of Amphenol Corporation and is delivered on the express condition that it is not to be disclosed, reproduced or used, in whole or in part, for manufacture or sale by anyone other than Amphenol Corporation without its prior consent, and that no right is granted to disclose or to use any information in this document.

The marking on this product doesn't contain environmental hazardous materials per Material Specification SS-00259 for Sony GP compliant or per directive 2002/95/EC for RoHS compliant.

CUSTOMER DRAWING
ORIGINAL

RJMG221X4XX30ER

REVISIONS				
SYM	ECN No.	DESCRIPTION	DATE	APPROVED
A		NEW RELEASE	12/23/2011	Roger Tsai
B	ECN-12-010	ADD NEW DASH NUMBER RJMG221C44430ER	08/06/2012	Tony Lin
C	NE-15135	UPDATE THE PACKING SPECIFICATION	11/04/2015	Roger Tsai
D	NE-16136	ADD P/N RJMG221F44430ER	06/14/2016	Roger Tsai

LED&SIGNAL PIN LENGTH OPTIONS

- O- 3.04mm [.120 INCHES]
- A- 2.54mm [.100 INCHES]
- B- 4.10mm [.161 INCHES]
- C- 3.81mm [.150 INCHES]
- D- 3.18mm [.125 INCHES]
- F- 3.18mm [.125 INCHES]&
3.18mm [.125INCHES]GND PIN LENTH

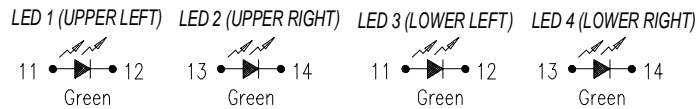
LED 2&4 (RIGHT SIDE) SEE LED OPTIONS

- 0- No LED (Blocked Hole)
- 1- Green
- 2- Yellow
- 4- Bi-color Green/Yellow
- 6- Bi-color Green/Orange

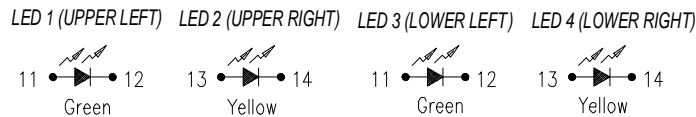
LED 1&3 (LEFT SIDE) SEE LED OPTIONS

- 0- No LED (Blocked Hole)
- 1- Green
- 2- Yellow
- 4- Bi-color Green/Yellow
- 6- Bi-color Green/Orange

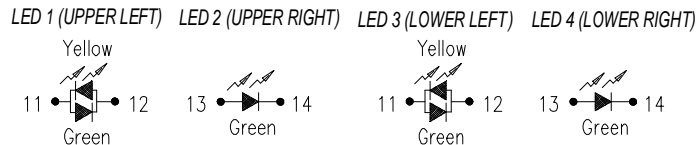
LED option for RJMG221X41130ER



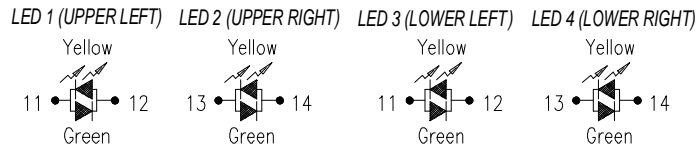
LED option for RJMG221X42130ER



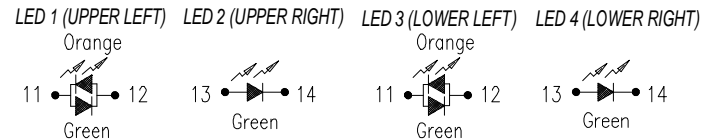
LED option for RJMG221X41430ER



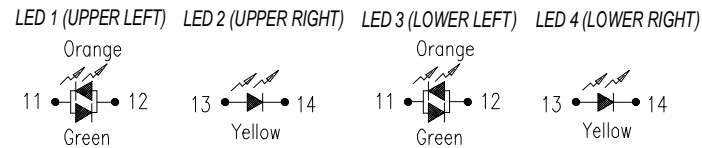
LED option for RJMG221X44430ER



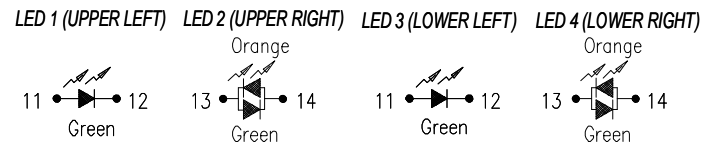
LED option for RJMG221X41630ER



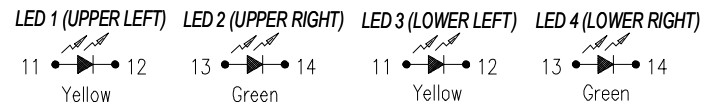
LED option for RJMG221X42630ER



LED option for RJMG221X46130ER



LED option for RJMG221X41230ER



TOLERANCE(unit:mm)	APPROVALS	DATE	TITLE	Amphenol® Amphenol Corporation Amphenol Taiwan Corporation	
X. X.X ±0.30 X.XX ±0.20 X.XXX ±0.10	DRAWN Jophy Li	06/14/2016	RJMG2210 Series 2X1 1000 Base-T Series with LED options	UNIT	mm
ANGULAR ±1°	CHECKED Vivian Wen	06/14/2016		SCALE	NA
UNLESS OTHERWISE SPECIFIED	APPROVED Roger Tsai	06/14/2016		SIZE	A3
	DWG TYPE CUST DWG	PROJECT CODE GT286		SHEET	3 OF 5
				PART No.	RJMG221X4XX30ER
				DWG No.	RJMG221X4XX30ER
				REV.	D

This document is the property of Amphenol Corporation and is delivered on the express condition that it is not to be disclosed, reproduced or used, in whole or in part, for manufacture or sale by anyone other than Amphenol Corporation without its prior consent, and that no right is granted to disclose or to use any information in this document.

The marking on this product doesn't contain environmental hazardous materials per Material Specification SS-00259 for Sony GP compliant or per directive 2002/95/EC for RoHS compliant.

CUSTOMER DRAWING ORIGINAL

REVISIONS				
SYM	ECN No.	DESCRIPTION	DATE	APPROVED
A		NEW RELEASE	12/23/2011	Roger Tsai
B	ECN-12-010	ADD NEW DASH NUMBER RJMG221C44430ER	08/06/2012	Tony Lin
C	NE-15135	UPDATE THE PACKING SPECIFICATION	11/04/2015	Roger Tsai
D	NE-16136	ADD P/N RJMG221F44430ER	06/14/2016	Roger Tsai

Compliant with IEEE 802.3ab Standard

CONNECTOR PERFORMANCE ELECTRICAL SPECIFICATION(@25° C)

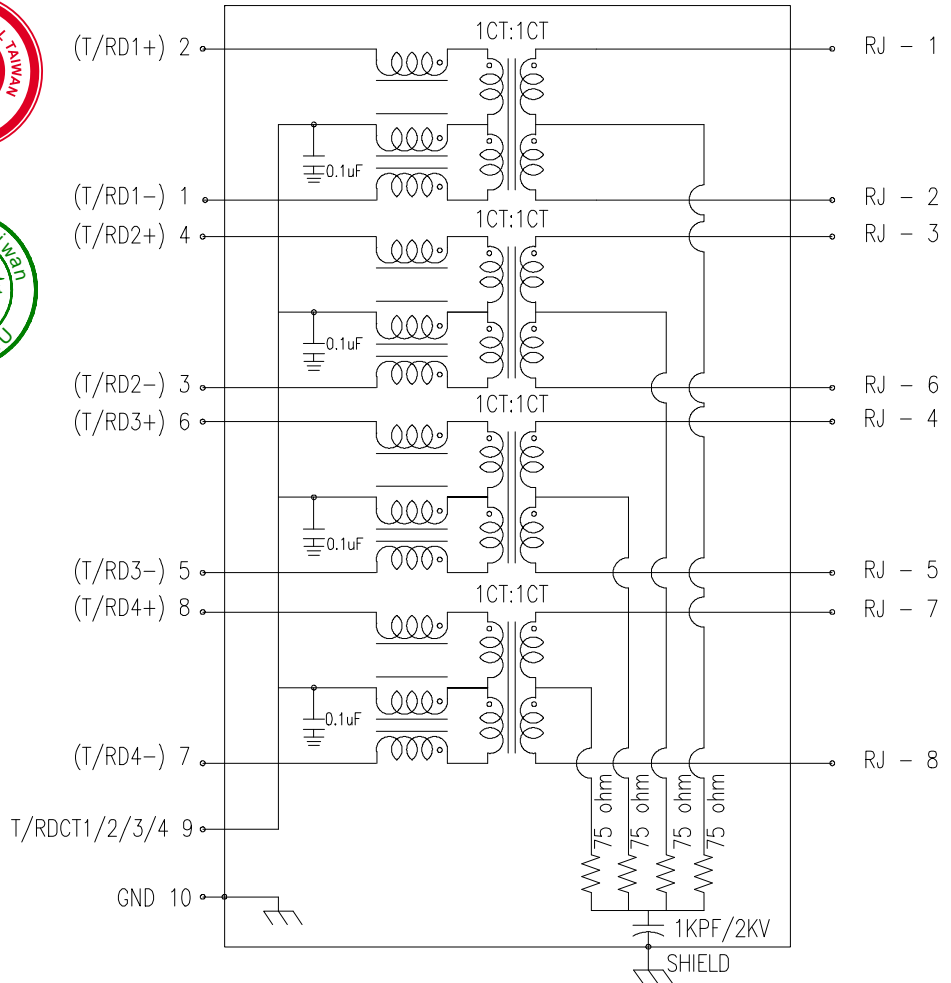
PARAMETER	LIMITS (MAX. OR MIN.)	FREQUENCY RANGE/ TEST CONDITIONS
INSERTION LOSS	-0.8dB MAX. -1.2dB MAX.	0.1-100 MHz 100-125 MHz
RETURN LOSS	-18dB MIN. -12+20 log(f/80MHz)dB MIN.	0.5-40 MHz 40-100 MHz
CM-CM REJECTION	-30dB MIN.	100 KHz-100 MHz
CM-DM REJECTION	-35dB MIN.	100 KHz-100 MHz
CROSSTALK ISOLATION	-30+20 log(f/100MHz)dB MIN.	100 KHz-100 MHz
HIPOT (ISOLATION)	2250KVDC 1mA	60S
OCL	350uH MIN.	100KHz 100mV 8mA
TURN RATIO	1:1±2%	



LED PERFORMANCE

PARAMETER	SINGLE COLOUR		BICOLOUR				UNITS
	GREEN	YELLOW	GREEN	YELLOW	GREEN	ORANGE	
FORWARD CURRENT IF MAX	30	30	30		30		mA
REVERSE CURRENT IR MAX	10	10	10		10		uA
REVERSE VOLTAGE VR MAX	-5	-5	-5		-5		v
T OPERATURE	-40~+85	-40~+85	-40~+85		-40~+85		℃
T SOLDERING	260+/-5	260+/-5	260+/-5		260+/-5		℃
POWER DISS. Pd	70	70	70		70		mW
PEAK WAVELENGTH	565	585	565	585	565	605	nM
FORWARD VOLTAGE TYP	2.2	2.2	2.2	2.2	2.2	2.2	(@IF=20mA) V
FORWARD VOLTAGE MAX	2.5	2.5	2.5	2.5	2.5	2.5	(@IF=20mA) V

SCHMATIC DRAWING



TOLERANCE(unit:mm)	APPROVALS	DATE	TITLE		Amphenol®	
X. ±0.30	DRAWN Jophy Li	06/14/2016	RJMG2210 Series 2X1 1000 Base-T Series with LED options		Amphenol Corporation Amphenol Taiwan Corporation	
X.XX ±0.20	CHECKED Vivian Wen	06/14/2016				
X.XXX ±0.10	APPROVED Roger Tsai	06/14/2016			UNIT mm	SIZE A3
ANGULAR ±1°	DWG TYPE CUST DWG	PROJECT CODE GT286			SCALE NA	SHEET 4 OF 5
UNLESS OTHERWISE SPECIFIED					DWG No. RJMG221X4XX30ER	REV. D

This document is the property of Amphenol Corporation and is delivered on the express condition that is not to be disclosed, reproduced or used, in whole or in part, for manufacture or sale by anyone other than Amphenol Corporation without its prior consent, and that no right is granted to disclose or to use any information in this document.

The marking on this product doesn't contain environmental hazardous materials per Material Specification SS-00259 for Sony GP compliant or per directive 2002/95/EC for RoHS compliant.

CUSTOMER DRAWING ORIGINAL

REVISIONS				
SYM	ECN No.	DESCRIPTION	DATE	APPROVED
A		NEW RELEASE	12/23/2011	Roger Tsai
B	ECN-12-010	ADD NEW DASH NUMBER RJMG221C44430ER	08/06/2012	Tony Lin
C	NE-15135	UPDATE THE PACKING SPECIFICATION	11/04/2015	Roger Tsai
D	NE-16136	ADD P/N RJMG221F44430ER	06/14/2016	Roger Tsai

1-1.POSITIONED COMPONENTS INTO MATCHING CAVITY OF TRAY, FUNCTION FACE ON DOWN.(FIGURE 1)
1-2.36 PCS/PER TRAY; ENSURE COMPONENTS POSITIONED AS REQUIREMENT.

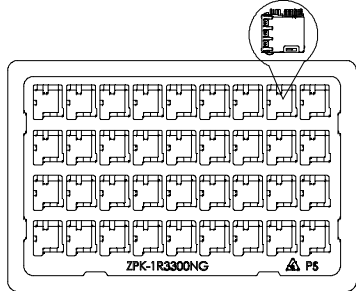
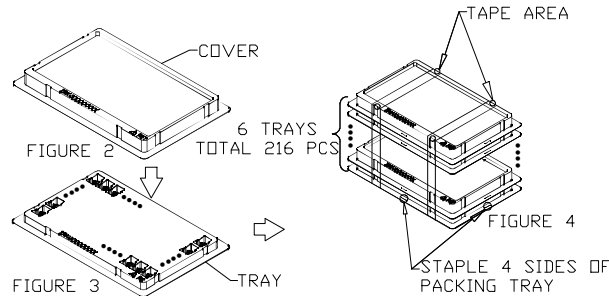
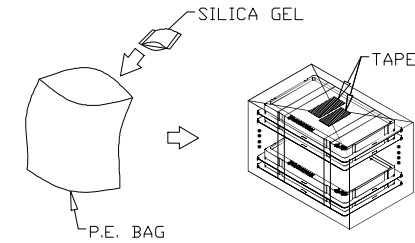


FIGURE 1

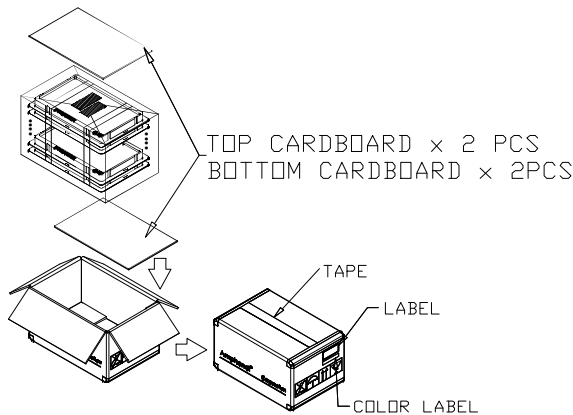
2-1.PLACE UPPER COVER AFTER BOTTOM TRAY IS PROPERLY LOADED OF COMPLETED PRODUCTS.(FIGURE 2?3)
STAPLE 4 SIDES OF PACKING TRAY. STACK UP 6 STAPLED PACKING TRAYS OF TOTAL 216 PCS.(FIGURE 4)
2-2.EACH TRAY MUST ADD A COVER BEFORE STACK UP W/ OTHER COMPLETED PACKING TRAY. AND ORIENTATION OF PLACEMENT MUST MATCH PRODUCT SHAPE.



3-1.AFTER STEP 2, PLACE 6 STACKED UP TRAYS INTO A P.E. BAG AND ADD A BAG OF SILICA GEL.
3-2.PROPERLY FOLDS THE P.E. BAG, AND FIX W/ TAPE.

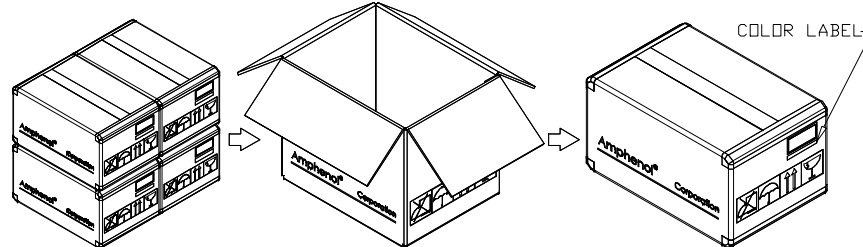


4-1.PLACE TWO PCS CARDBOARD AT BOTTOM OF INNER BOX BEFORE THE COMPLETED P.E. BAG FROM 3-2.
4-2.PLACE 4 CORNER PIECES OF ONE PCS AT 4 CORNERS AND TWO PCS CARDBOARD ON THE TOP.
4-3.TAPE THE INNER BOX AND APPLY PROPER LABELS.



TOP CARDBOARD x 2 PCS
BOTTOM CARDBOARD x 2PCS

5-1.MAKE 4 COMPLETED INNER BOXES AS A SET IN AN OUTER BOX.
5-2.TAPE THE OUTER BOX AND APPLY LABELS OF P/N, QUANTITY, AND PACKING DATE.



DIMENSION OF OUTER BOX
=L:525mm,W:400mm,H:447mm
DIMENSION OF INNER BOX
=L:375mm,W:250mm,H:205mm

NOTE:
216 PCS/INNER BOX
864 PCS/OUTER BOX

PRODUCT	TRAY P/N	COVER P/N	TRAY PER PRIMARY CARTON	PCS PER TRAY	PCS PER PRIMARY CARTON	PCS PER MASTER CARTON
RJMG2214XX30ER			6	36	216	864

TOLERANCE(unit:mm)	APPROVALS	DATE	TITLE		Amphenol®	
X. X.X ±0.30 X.XX ±0.20 X.XXX ±0.10	DRAWN Jophy Li	06/14/2016	RJMG2210 Series 2X1 1000 Base-T Series with LED options		Amphenol Corporation Amphenol Taiwan Corporation	
	CHECKED Vivian Wen	06/14/2016				
	APPROVED Roger Tsai	06/14/2016				
ANGULAR ±1°	DWG TYPE CUST DWG	PROJECT CODE GT286	UNIT mm	SIZE A3	PART No. RJMG221X4XX30ER	
UNLESS OTHERWISE SPECIFIED			SCALE NA	SHEET 5 OF 5	DWG No. RJMG221X4XX30ER	REV. D