

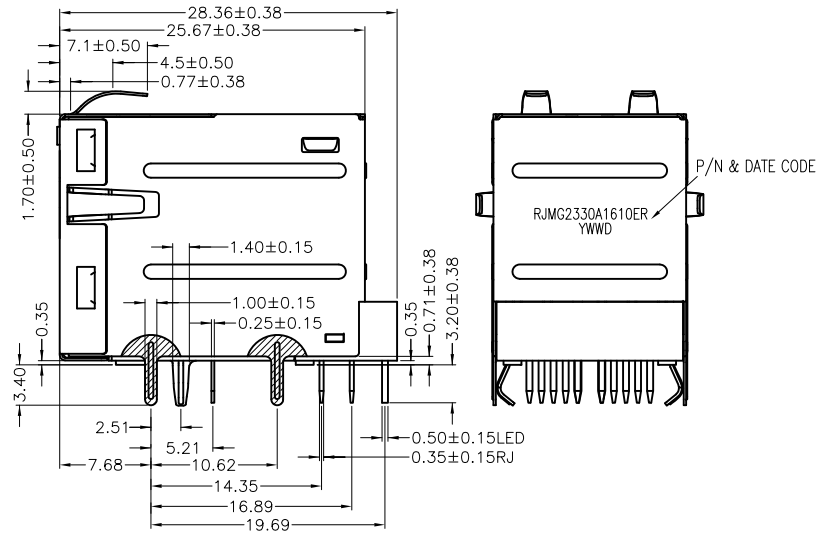
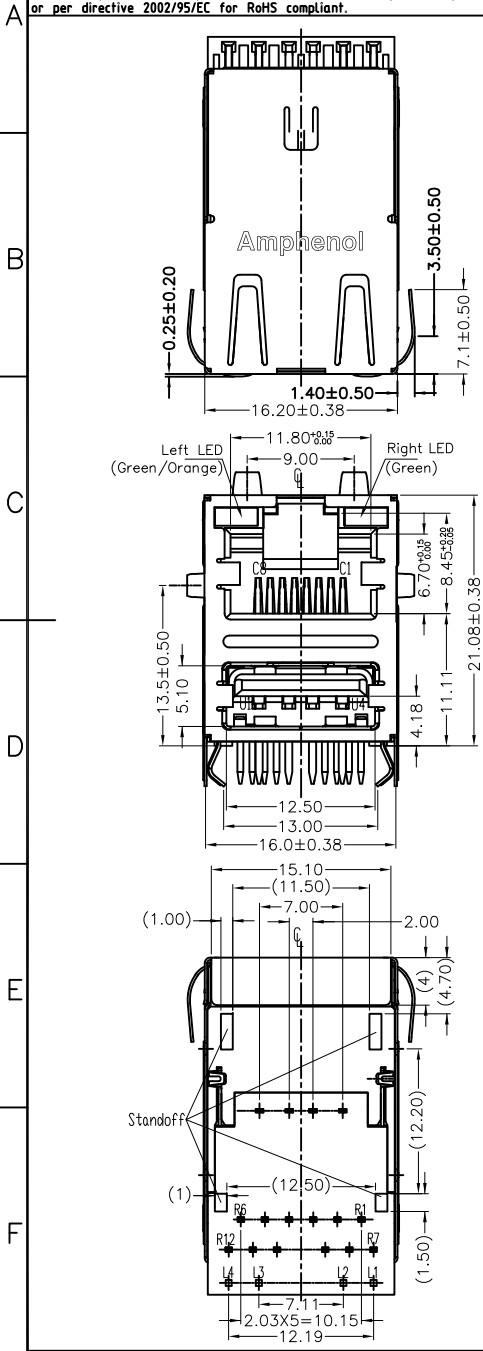
This document is the property of Amphenol Corporation and is delivered on the express condition that is not to be disclosed, reproduced or used, in whole or in part, for manufacture or sale by anyone other than Amphenol Corporation without its prior consent, and that no right is granted to disclose or to use any information in this document.  
The marking on this product doesn't contain environmental hazardous materials per Material Specification 55-00259 for Sony GP compliant or per directive 2002/95/EC for RoHS compliant.

# CUSTOMER DRAWING

## ORIGINAL



REVISIONS				
SYM	ECN No.	DESCRIPTION	DATE	APPROVED
A	NE-16158	FORMAL RELEASED	06/28/2016	Roger Tsai

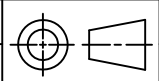


- NOTES:
- Terminal Parts:
    - 1.1.RJ Terminal :Phosphor Bronze,Thickness=0.30mm  
Finish:30u" gold on contact area,100u" min. tin on solder tail area,underplating 50~100u" Nickel over all.
    - 1.2.RJ input Terminal :Brass,Thickness=0.35mm  
Finish:100u" min. tin over 50~100u" Nickel.
    - 1.3.Module Terminal :Brass,Thickness=0.25mm  
Finish:100u" min. tin over 50~100u" Nickel.
    - 1.4.USB Terminal : Phosphor Bronze , Thickness=0.25mm  
Finish:30u" gold on contact area,100u" min. tin on solder tail area,underplating 50~100u" Nickel over all.
  - Plastic Parts: Flame Class:UL94V-0
    - 2.1.Housing : Hi-temp.Thermoplastic , Black
    - 2.2.Coil Case : Hi-temp.Thermoplastic , Black
    - 2.3.Spacer : Hi-temp.Thermoplastic , Black
  - Shell Parts:
    - 3.1.Shell: Stainless,Thickness=0.20mm,  
Grounding Leg : Pre-soldering.
    - 3.2.Grounding Leg of USB : Brass , Thickness=0.25mm  
Finish : 100m u" min. Tin over 50~100m"u min. Nickel
- OTHERS:
- 1.Operating Temperature : 0°C TO +70°C
  - 2.Storage Temperature : -40°C TO +85°C
  - 3.WAVE SOLDERING TEMPRATURE :265 DEG.C 10 SEC MAX
  - 4.JACK CAVITY CONFORMS TO FCC RULES AND REGULATIONS PART 68 , SUBPART F

TOLERANCE	APPROVALS	DATE	TITLE	UNIT		SIZE	PART No.
X. ±0.30	DRAWN Jophy Li	06/28/2016	RJmag 1000 Base-T RJ Over USB with LED	mm	A3	1 OF 1	RJM2330A1610ER
X.X ±0.25	CHECKED Vivian Wen	06/28/2016		NA	SHEET		
X.XXX ±0.10	APPROVED Roger Tsai	06/28/2016		SCALE	REV.		
ANGULAR ±1°	DWG TYPE CUST DWG	PROJECT CODE RJMG			A		
UNLESS OTHERWISE SPECIFIED							RJM2330A1610ER

### Amphenol®

Amphenol Corporation  
Amphenol Taiwan Corporation



This document is the property of Amphenol Corporation and is delivered on the express condition that is not to be disclosed, reproduced or used, in whole or in part, for manufacture or sale by anyone other than Amphenol Corporation without its prior consent, and that no right is granted to disclose or to use any information in this document.

The marking on this product doesn't contain environmental hazardous materials per Material Specification 55-00259 for Sony GP compliant or per directive 2002/95/EC for RoHS compliant.



# CUSTOMER DRAWING

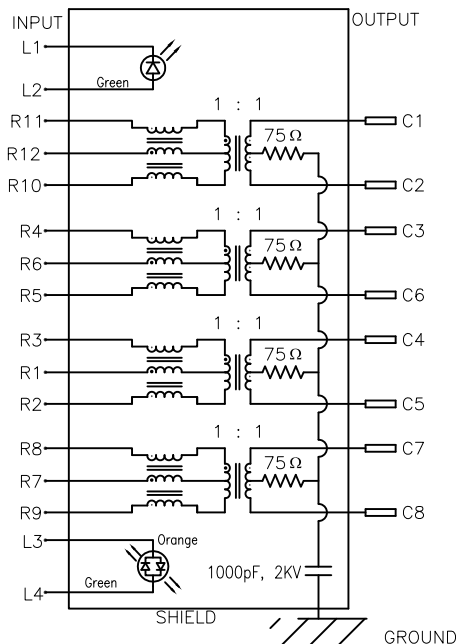
## ORIGINAL



### REVISIONS

SYM	ECN No.	DESCRIPTION	DATE	APPROVED
A	NE-16158	FORMAL RELEASED	06/28/2016	Roger Tsai

### ELECTRICAL SCHEMATIC DRAWING



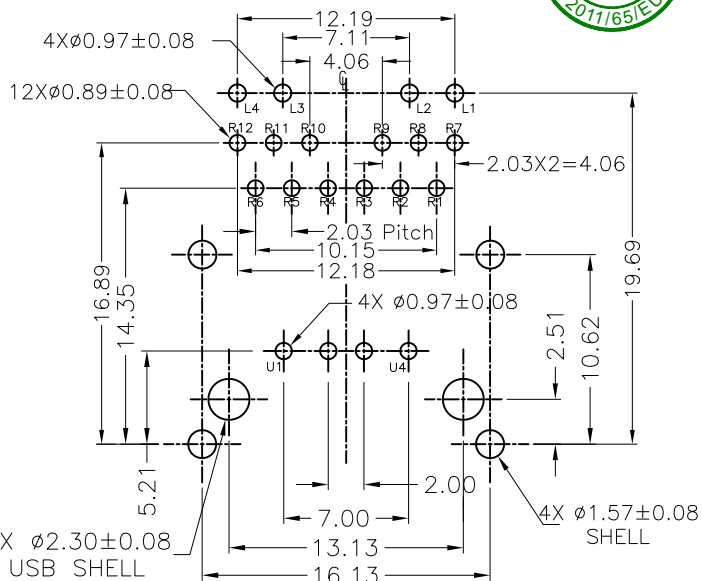
### ELECTRICAL SPECIFICATION (@25° C)

#### CONNECTOR PERFORMANCE

PARAMETER	LIMITS (MAX. OR MIN.)	FREQUENCY RANGE/TEST CONDITIONS
INSERTION LOSS (RX/TX)	-1.0dB MAX. -1.2dB MAX.	1-100 MHz 100-125 MHz
RETURN LOSS (RX/TX)	-18dB MIN. -16dB MIN. -12dB MIN. -10dB MIN.	1-30 MHz 30-60 MHz 60-80 MHz 80-100 MHz
CM-CM REJECTION	-30dB MIN.	1-100 MHz
CROSSTALK ISOLATION (RX/TX)	-30dB MIN.	1-100 MHz
HIPOT (ISOLATION)	1.5kVrms MIN.	60 Sec.
OCL	350uH MIN.	100KHz 100mV 8mA
TURN RATIO	1:1±5%	

### LED PERFORMANCE

PARAMETER	SINGLE COLOR			UNITS
	GREEN	GREEN	ORANGE	
FORWARD CURRENT IF MAX	30	30		mA
REVERSE CURRENT IR MAX	10	10		uA
REVERSE VOLTAGE VR MAX	-5	-5		V
T OPERATURE	-40~+85	-40~+85		°C
T SOLDERING	260+/-5	260+/-5		°C
POWER DISS. Pd	70	70		mW
PEAK WAVELENGTH	565	565	605	nM
FORWARD VOLTAGE TYP	2.5	2.2	2.0	(@IF=20mA)
FORWARD VOLTAGE MAX	2.9	2.6	2.6	(@IF=20mA)



### RECOMMENDED PCB LAYOUT COMPONENT SIDE

PCB THICKNESS : 1.60mm

ALL DIMENSION TOLERANCE ARE ±0.05 UNLESS OTHERWISE SPECIFIED

### USB PIN ASSIHMENT

- U1 ————— USB-1
- U2 ————— USB-2
- U3 ————— USB-3
- U4 ————— USB-4

### USB Connector Termination Assignment

Contact Number	Signal Name
U1	VBUS
U2	D-
U3	D+
U4	GND
Shell	Shield

TOLERANCE	APPROVALS	DATE	TITLE	UNIT	SIZE	PART No.
X. ±0.30	DRAWN Jophy Li	06/28/2016	RJmag 1000 Base-T RJ Over USB with LED	mm	A3	Amphenol® Amphenol Corporation Amphenol Taiwan Corporation
X.X ±0.25	CHECKED Vivian Wen	06/28/2016				
X.XX ±0.10	APPROVED Roger Tsai	06/28/2016				
ANGULAR ±1°	DWG TYPE CUST DWG	PROJECT CODE RJMG		SCALE NA	SHEET 2 OF 3	DWG No. RJMG2330A1610ER
UNLESS OTHERWISE SPECIFIED						REV. A

