

This document is the property of Amphenol Corporation and is delivered on the express condition that it is not to be disclosed, reproduced or used, in whole or in part, for manufacture or sale by anyone other than Amphenol Corporation without its prior consent, and that no right is granted to disclose or to use any information in this document.

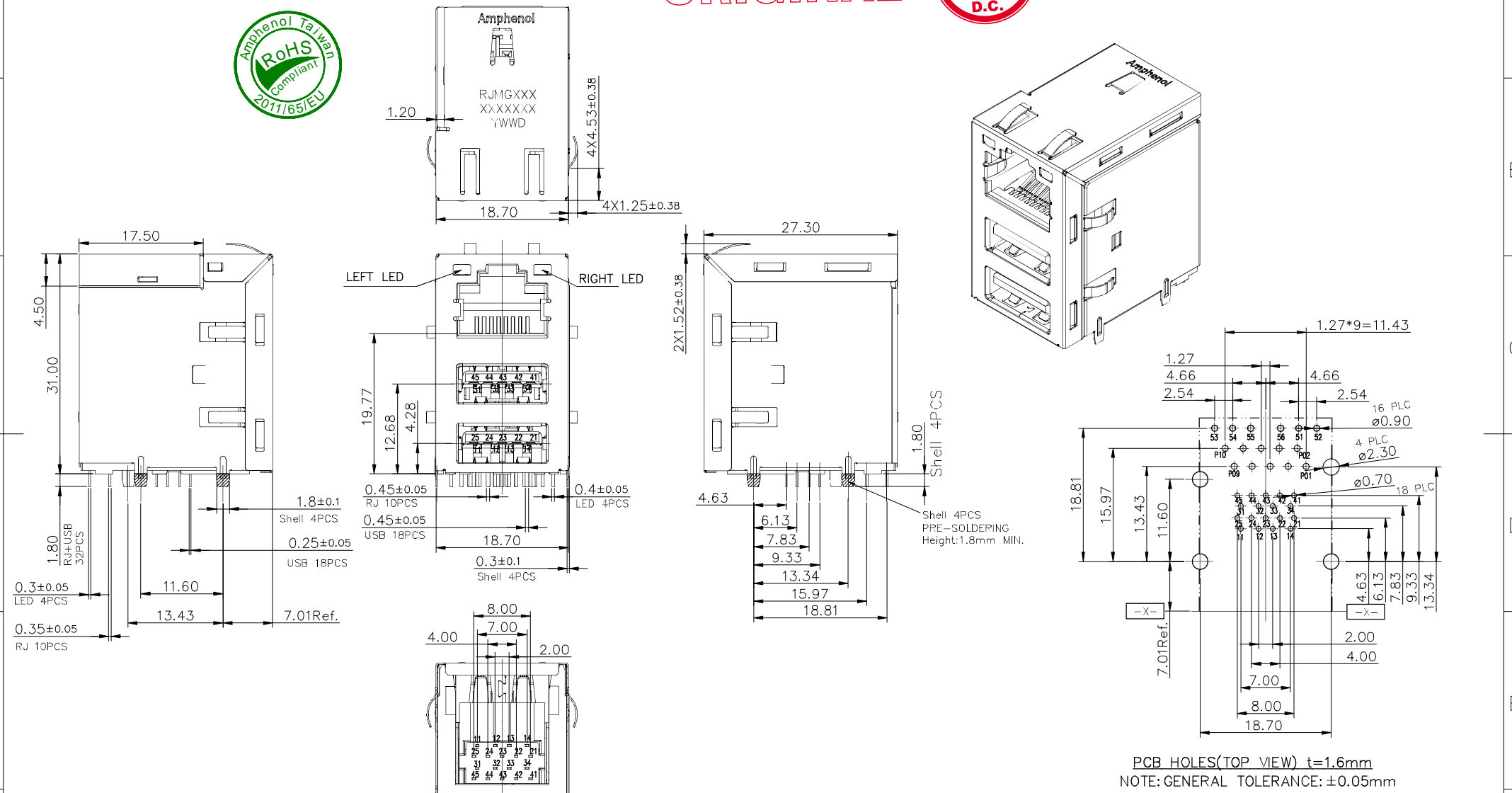
The marking on this product doesn't contain environmental hazardous materials per Material Specification SS-00259 for Sony GP compliant or per directive 2011/65/EU for RoHS compliant.



CUSTOMER DRAWING ORIGINAL



REVISIONS				
SYM	ECN No.	DESCRIPTION	DATE	APPROVED
A	NE-17294	Initial Release	11/20/2017	Lawrence Chan



TOLERANCE		APPROVALS		DATE		TITLE		Amphenol®							
X.		DRAWN	Wesley Tang		11/20/2017	RJmag 1000 Base-T RJ Over Dual USB 3.0 With Led Option		Amphenol Corporation Amphenol Taiwan Corporation							
X.X	±0.35	CHECKED	Vivian Wen		11/20/2017										
X.XX	±0.25	APPROVED	Lawrence Chan		11/20/2017										
X.XXX	±0.15	UNLESS OTHERWISE SPECIFIED		DWG TYPE	CUST DWG	PROJECT CODE	RJMG	UNIT	mm	SIZE	A3	PART No.	RJMG241KMXX90XR	REV.	A

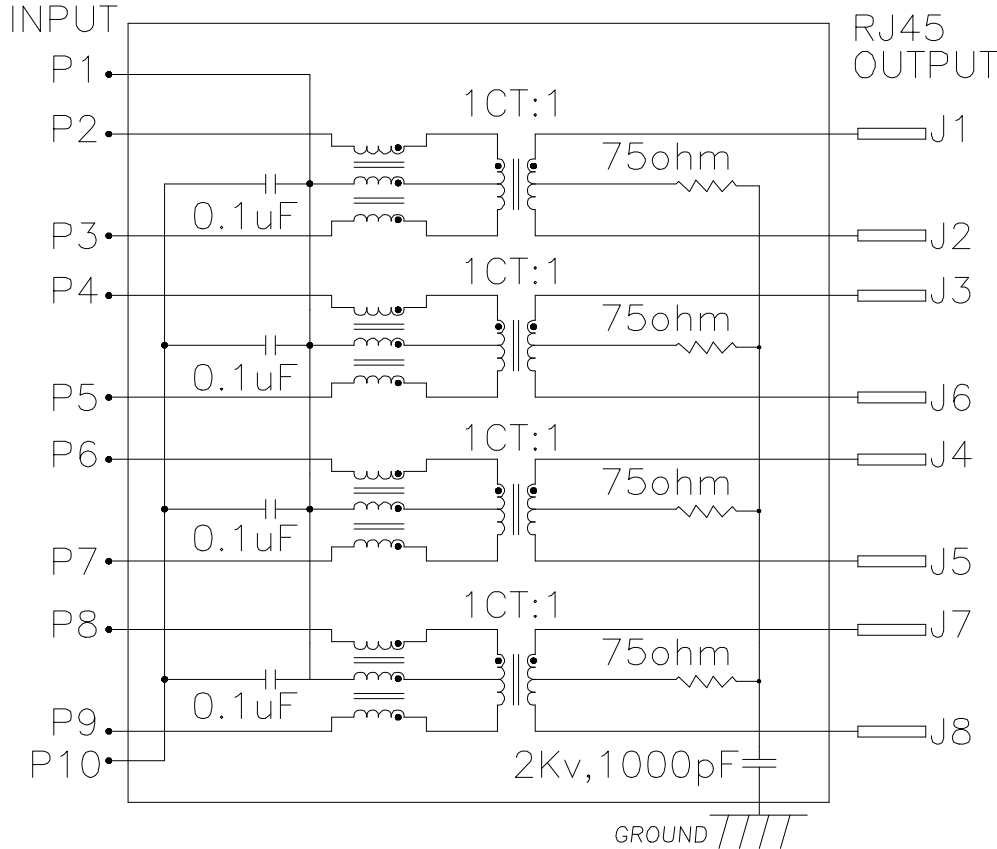
This document is the property of Amphenol Corporation and is delivered on the express condition that it is not to be disclosed, reproduced or used, in whole or in part, for manufacture or sale by anyone other than Amphenol Corporation without its prior consent, and that no right is granted to disclose or to use any information in this document.

The marking on this product doesn't contain environmental hazardous materials per Material Specification SS-00259 for Sony GP compliant or per directive 2011/65/EU for RoHS compliant.

CUSTOMER DRAWING ORIGINAL

REVISIONS				
SYM	ECN No.	DESCRIPTION	DATE	APPROVED
A	NE-17294	Initial Release	11/20/2017	Lawrence Chan

ELECTRONICAL SCHEMATIC



USB 3.0 Pin ASSIGNMENTS

Pin NUMBER	SIGNAL NAME	Pin NUMBER	SIGNAL NAME
11&31	VBUS	21&41	SSRX-
12&32	D-	22&42	SSRX+
13&33	D+	23&43	GND
14&34	GND	24&44	SSTX-
SHELL	SHIELD	25&45	SSTX+

NOTE:

- INSULATION RESISTANCE : 500 MOHMS MIN
- DIELECTRIC WITHSTANDING VOLTAGE : 1000 VAC FOR 1 MINUTE

STANDARD LED	WAVELENGTH(λ)	V/ IF=20mA	
		MAX.	Typ.
YELLOW	580~595nm	2.5 V	2.1 V
ORANGE	602~610nm	2.5 V	2.1 V
GREEN	560~580nm	2.5 V	2.1 V

PART NO. RJMG241KM X X 90 X R

RIGHT LED OPTION

LEFT LED OPTION

0- No LED (Blocked Hole)

1- Green

2- Yellow

4- Bi-color Green/Yellow, 3 Leads

6- Bi-color Green/Orange, 3 Leads

7- Bi-color Green/Yellow, 2 Leads

8- Bi-color Green/Orange, 2 Leads

OPTIONS:

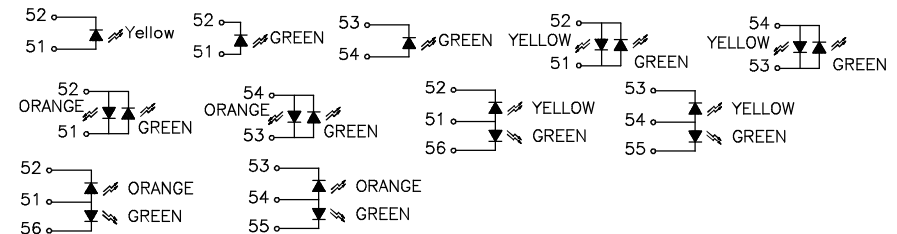
B- Gold Plating, 6 μ ", Stainless steel shield, Tray

C- Gold Flash, Stainless steel shield, Tray

D- Gold Plating, 15 μ ", Stainless steel shield, Tray

E- Gold Plating, 30 μ ", Stainless steel shield, Tray

F- Gold Plating, 50 μ ", Stainless steel shield, Tray



TOLERANCE	APPROVALS	DATE	TITLE		Amphenol®			
X. ±0.35	DRAWN Wesley Tang	11/20/2017	RJmag 1000 Base-T RJ Over Dual USB 3.0 With Led Option		Amphenol Corporation Amphenol Taiwan Corporation			
X.X ±0.25								
X.XXX ±0.15	APPROVED Lawrence Chan	11/20/2017	UNIT mm		SIZE A3	PART No. RJMG241KMXX90XR		
ANGULAR ±1°	DWG TYPE CUST DWG	PROJECT CODE RJMG	SCALE NA	SHEET 2 OF 3	DWG No. RJMG241KMXX90XR		REV. A	
UNLESS OTHERWISE SPECIFIED								



This document is the property of Amphenol Corporation and is delivered on the express condition that it is not to be disclosed, reproduced or used, in whole or in part, for manufacture or sale by anyone other than Amphenol Corporation without its prior consent, and that no right is granted to disclose or to use any information in this document.

The marking on this product doesn't contain environmental hazardous materials per Material Specification SS-00259 for Sony GP compliant or per directive 2011/65/EU for RoHS compliant.



CUSTOMER DRAWING ORIGINAL



REVISIONS				
SYM	ECN No.	DESCRIPTION	DATE	APPROVED
A	NE-17294	Initial Release	11/20/2017	Lawrence Chan

Electrical Specification(@25°C)

Parameters	Unit	
Turns Ratio(Primary):(Secondary)	—	1CT:1±3%
Inductance@100KHz,0.1Vrms,8mA DC	uH	350 Min.
Insertion Loss@1~100MHz	-dB	1.0 Max.
@100~125MHz	-dB	1.2 Max.
Return Loss@1~30MHz	-dB	18 Min.
@30~60MHz	-dB	16 Min.
@60~80MHz	-dB	12 Min.
@80~100MHz	-dB	10 Min.
Common Mode Rejection@1~100MHz	-dB	30 Min.
Cross Talk@1~100MHz	-dB	30 Min.
Hi-Pot Test: RJ Terminal(J1~J8) to data pin(p1~p10) &shell&LED&USB pin	Vrms	1500 VAC @1mA 60SEC
DCR:(J1-J2),(J3-J6),(J4-J5),(J7-J8),	OHM	1.2 Max.

NOTES:

1. MATERIAL:

- 1.1 RJ 45 HOUSING: LCP UL94V-0,BLACK
- 1.2 SPACER:LCP UL94V-0,BLACK
- 1.3 USB 3.0 HOUSING&COVER:PA9T,BLUE
- 1.4 RJ45 CONTACT:PHOSPHOR BRONZE C5210,T=0.35mm
- 1.5 USB 3.0 CONTACT: BRASS C2680
- 1.6 INPUT CONTACT:BRASS C2680,T=0.35mm
- 1.7 USB3.0 SHELL: SK7
- 1.8 SHELL:STAINLESS STEEL,SUS304,T=0.20mm

2. FINISH:

- 2.1 RJ45 CONTACT:Au SELECTED PLATING ON CONTACT AREA, MATTE-TIN 2.54um[100u"]MIN.PLATING ON SOLDER AREA, NI 1.27um[50u"] MIN.UNDER PLATING OVER ALL.
- 2.2 USB3.0 CONTACT:Au SELECTED PLATING ON CONTACT AREA, MATTE-TIN 2.54um[100u"] MIN.PLATING ON SOLDER AREA, NI 1.27um[50u"] MIN.UNDER PLATING OVER ALL.
- 2.3 INPUT CONTACT:NI 1.27um[50u"] MIN.UNDERPLATED OVER ALL, 2.032um[80u"]MIN.MATTE-TIN PLATED ON SOLDER AREA.

3.RECOMMENDED P.C.B THICKNESS : 1.60mm

4. DURABILITY TEST RATING

- INSERTION FORCE WITH THE LATCH DEPRESSED :22N MAX
- REMOVAL FORCE WITH THE LATCH DEPRESSED :44N MAX
- DURABILITY :750 CYCLES

5. OPERATING AND STORAGE TEMPERATURE

- OPERATING TEMPERATURE : 0°C TO +70°C
- STORAGE TEMPERATURE : -40°C TO +85°C

TOLERANCE	APPROVALS	DATE	TITLE			Amphenol®		
X. ±0.35 X.X ±0.25 X.XX ±0.15	DRAWN Wesley Tang	11/20/2017	RJmag 1000 Base-T RJ Over Dual USB 3.0 With Led Option			Amphenol Corporation Amphenol Taiwan Corporation		
	CHECKED Vivian Wen	11/20/2017						
	APPROVED Lawrence Chan	11/20/2017						
ANGULAR ±1°	DWG TYPE CUST DWG	PROJECT CODE RJMG	UNIT mm	SIZE A3	PART No.	RJMG241KMXX90XR		
UNLESS OTHERWISE SPECIFIED			SCALE NA	SHEET 3 OF 3	DWG No.	RJMG241KMXX90XR		
					REV.	A		