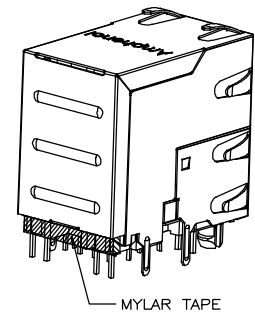
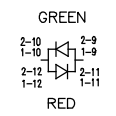


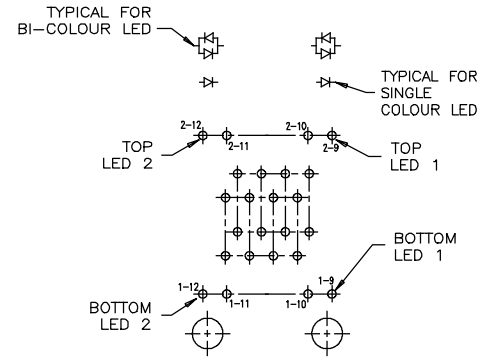
| REVISIONS | | | |
|-----------|---------------------------------------|-----------|--------|
| REV. | ECN, ERN NO. | DATE | APPRD. |
| A | PROPOSAL | AUG.31/15 | L.CHAN |
| B | ADD MYLAR TAPE NOTES PER EAR# RJ18006 | JAN.23/18 | L.CHAN |



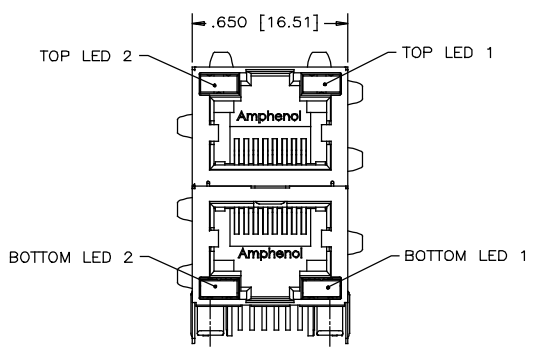
CONNECTOR AXONOMETRIC VIEW



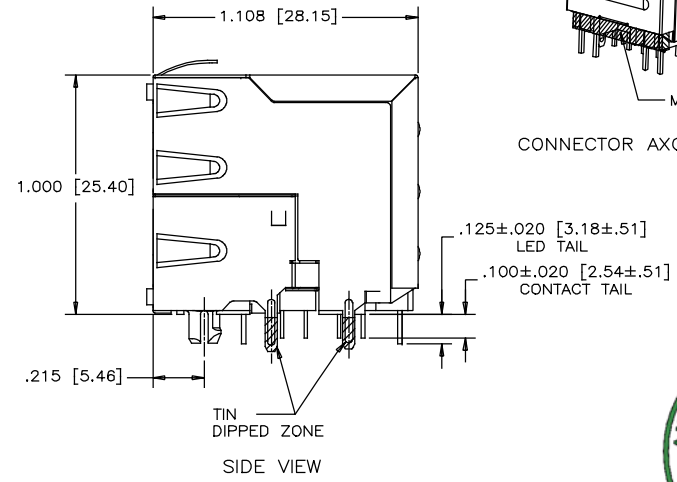
BI-COLOUR LED DETAIL
(GREEN/YELLOW, RED/YELLOW AND GREEN/ORANGE ARE ALSO AVAILABLE)



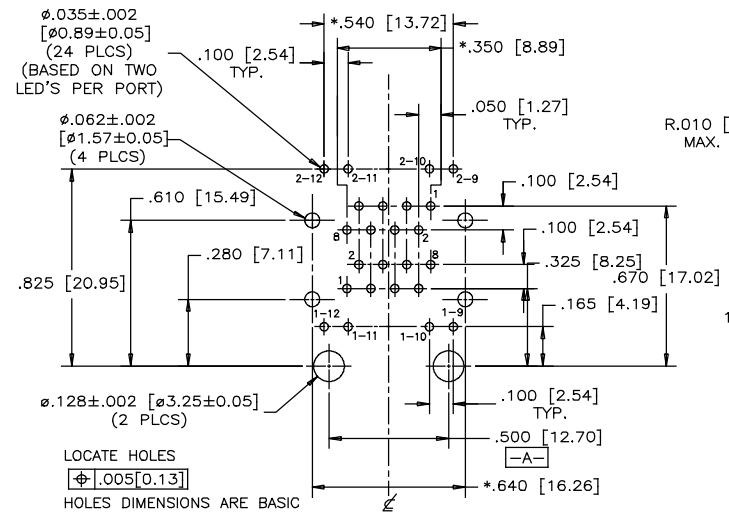
LED SCHEMATIC



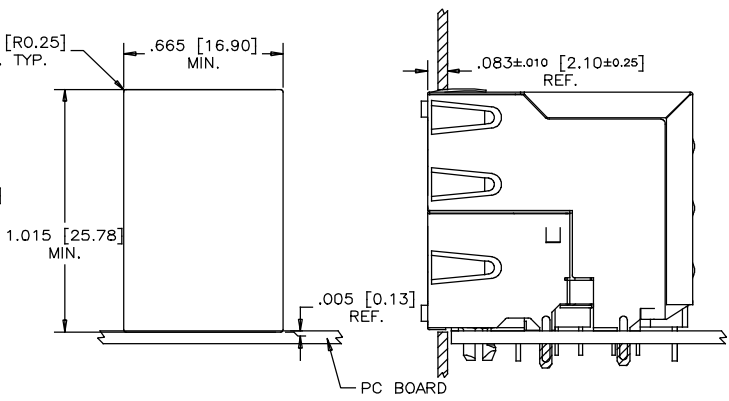
FRONT VIEW



SIDE VIEW



RECOMMENDED P.C.B. LAYOUT
(COMPONENT SIDE OF BOARD)



RECOMMENDED PANEL CUTOUT

MATERIALS:

CONTACTS: PHOSPHOR BRONZE, SELECTIVELY PLATED GOLD PLATING ON MATING AREAS REFER TO AMPHENOL PART NO. 50 MICROINCHES MIN. NICKEL OVERALL. 100 MICROINCHES MIN. MATTE TIN OR GOLD FLASH ON TAILS.

HOUSING: ENGINEERING PLASTIC. FLAMMABILITY RATING UL 94V-0, BLACK

SHIELD: COPPER ALLOY. PLATING: NICKEL WITH TIN DIPPED PCB TAILS.

MYLAR TAPE: POLYESTER FILM. 0.06MM THICKNESS.

RECOMMENDED SOLDERING TEMPERATURE:

WAVE SOLDERING AT 260°C MAXIMUM FOR 5 SEC MAXIMUM

AMPHENOL PART NO.: RJSAE-X38X-02X

GOLD PLATING OPTION:
D=6u" GOLD PLATING
C=15u" GOLD PLATING
J=30u" GOLD PLATING
5=50u" GOLD PLATING

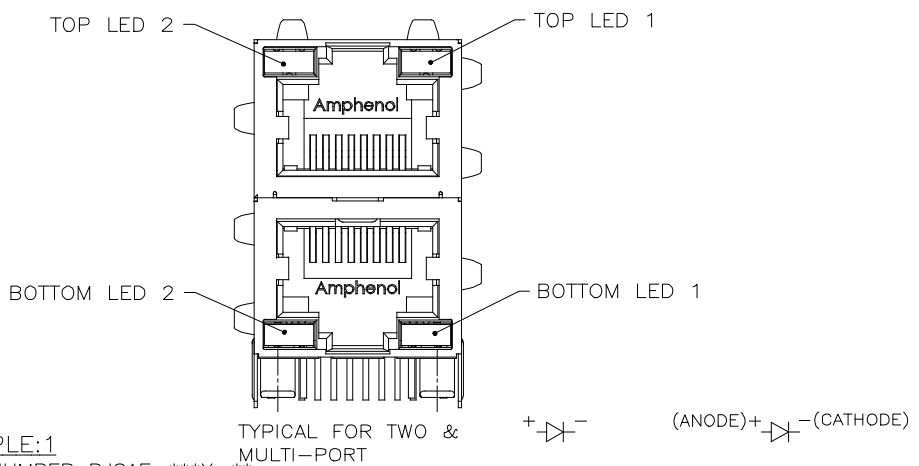
REFER TO LED OPTIONS DRAWING FOR ORDERING CODES

DIMENSIONS MARKED WITH * ARE SYMMETRICAL ABOUT CENTER LINE AS DEFINED BY DATUM -A-

| | | |
|----------------------------|------------------------|----------------------|
| UNLESS SPECIFIED OTHERWISE | DRAWN JACK.GUO | AUG31/15 |
| PRIMARY UNITS INCHES | CHECKED | |
| SECONDARY MILLIMETERS | M.E. APP'D | |
| REFERENCE IN PARENTHESES | Q.A. APP'D | |
| | DWG APP'D L.CHAN | AUG31/15 |
| | ENG. REL NO. | |
| 1 DECIMAL PLACE | REF. | |
| 2 DECIMAL PLACES | | |
| 3 DECIMAL PLACES ±0.015 | | |
| ANGULAR DEGREES ±1.5' | | |
| | THIRD ANGLE PROJECTION | DO NOT SCALE DRAWING |

| | |
|--|-----------------------------|
| Amphenol Canada Corp. www.amphenolcanada.com | |
| STACKABLE 2x1 PORT MODULAR JACK, 8 POSITION, 8 CONTACTS, WITH LEDs, SHIELDED- RoHS COMPLIANT | |
| DWG NO. P-RJSAE-X38X-02X | REV B |
| CODE ID NO. 03554 | DWG SIZE SCALE SHEET 1 OF 1 |

| REVISIONS | | | |
|-----------|---------------------------|----------|--------|
| REV | DESCRIPTION, ECN, EAR NO. | DATE | APP'D |
| H | PROPOSAL | JUL04/12 | L.CHAN |
| J | PROPOSAL | MAR03/14 | L.CHAN |
| K | ADD NEW COLOR OPTION | FEB09/17 | L.CHAN |
| L | REPLACE THE DRAWING FRAME | JUL06/18 | L.CHAN |



LED SPECIFICATIONS:
 FORWARD VOLTAGE: 2.1 VOLTS TYP.
 REVERSE VOLTAGE: 5.0 VOLTS MIN.
 LUMINOUS INTENSITY: 0.5 mCd MIN.
 (AT If=2mA)
 STORAGE TEMPERATURE: -20° TO 85° C
 PLATING ON TAILS: TIN OR TIN/COPPER ALLOY OVER SILVER

PRIMARY COLOR FOR BI-COLOR LEDS IN STANDARD ANODE/CATHODE CONFIGURATION IS:
 RED-GREEN= RED
 RED-YELLOW= RED
 GREEN-YELLOW= GREEN
 GREEN-ORANGE= GREEN



LEGEND
 BiC=BI-COLOR LED
 LOWC=LOW CURRENT LED
 YE=YELLOW
 GR=GREEN
 RD=RED
 OR=ORANGE

NOTES:
 1. THE TWO DIGITS PRECEDING THE ADDITIONAL LED CODE MUST BE USED IN THE PART NUMBER, WHEN ORDERING ANY OF THE ADDITIONAL LED OPTIONS.
 2. '*' REPRESENT DIFFERENT OPTION OF CONNECTOR, DETAIL OPTION PLEASE SEE RELEVANT CONNECTOR DRAWING.

EXAMPLE:1
 PART NUMBER RJS AE-***X-**
 SEE NOTE 2 (pointing to **)
 SEE NOTE 2 (pointing to X)
 LED COLOR CODE

EXAMPLE:2
 PART NUMBER RJS AE-***U-**-XX
 SEE NOTE 2 (pointing to **)
 SEE NOTE 2 (pointing to U)
 SEE NOTE 2 (pointing to XX)
 SPECIAL CODE FOR TOP & BOTTOM LEDS CONFIGURATION
 BOTTOM ASSY LED (SAME AS STD CODE)
 TOP ASSY LED (SAME AS STD CODE)

| CODE | LED 2 (LEFT) | LED 1 (RIGHT) | CODE | LED 2 (LEFT) | LED 1 (RIGHT) | CODE | LED 2 (LEFT) | LED 1 (RIGHT) |
|------|--------------|---------------|------|--------------|---------------|------|--|---------------|
| 0 | BLOCKED | BLOCKED | 9 | GREEN | BLOCKED | J | BiC RD/GR | YELLOW |
| 1 | YELLOW | GREEN | A | BiC GR/YE | BiC GR/YE | K | YELLOW | BiC GR/OR |
| 2 | BLOCKED | GREEN | B | BiC RD/GR | BiC RD/GR | L | BiC GR/YE | RED |
| 3 | YELLOW | BLOCKED | C | BiC RD/GR | BiC GR/YE | M | RED | YELLOW |
| 4 | GREEN | YELLOW | D | GREEN | BiC GR/YE | N | BiC GR/RD | BiC GR/YE |
| 5 | GREEN | GREEN | E | YELLOW | BiC GR/YE | P | GREEN | BiC RD/GR |
| 6 | YELLOW | YELLOW | F | BiC GR/YE | YELLOW | R | BiC GR/OR | GREEN |
| 7 | RED | GREEN | G | BiC GR/OR | BiC GR/OR | T | RED | RED |
| 8 | GREEN | RED | H | BiC GR/YE | GREEN | V | BiC RD/GR | GREEN |
| | | | | | | W | ADDITIONAL OPTIONS | |
| | | | | | | U | SPECIAL CODE FOR TOP & BOTTOM LEDS CONFIGURATION | |

EXAMPLE:3
 PART NUMBER RJS AE-***W-**X
 SEE NOTE 2 (pointing to **)
 SEE NOTE 2 (pointing to W)
 SEE NOTE 2 (pointing to X)
 ADDITIONAL LED COLOR CODE
 DENOTES ADDITIONAL LED OPTIONS TO BE USED

| CODE | LED 2 (LEFT) | LED 1 (RIGHT) | CODE | LED 2 (LEFT) | LED 1 (RIGHT) | CODE | LED 2 (LEFT) | LED 1 (RIGHT) |
|------|--------------|---------------|------|--------------|---------------|------|--------------|---------------|
| 0 | DO NOT USE | | 5 | BLOCKED | YELLOW | A | LOWC YE | LOWC YE |
| 1 | RED | BLOCKED | 6 | RED | BiC RD/GR | B | LOWC YE | LOWC GR |
| 2 | BiC GR/OR | YELLOW | 7 | | | C | LOWC GR | LOWC YE |
| 3 | YELLOW | RED | 8 | BiC RD/GR | BLOCKED | D | LOWC GR | LOWC GR |
| 4 | BLOCKED | RED | 9 | BiC GR/YE | BLOCKED | M | LOWC RD | LOWC YE |
| | | | | | | N | GREEN | BiC GR/OR |
| | | | | | | E | GREEN | ORANGE |
| | | | | | | F | ORANGE | GREEN |
| | | | | | | G | BiC YE/GR | BiC YE/GR |
| | | | | | | P | BiC RD/YE | GREEN |
| | | | | | | R | BiC RD/YE | BiC RD/YE |
| | | | | | | T | BiC GR/YE | BiC RD/GR |
| | | | | | | H | BLUE | RED |

EXAMPLE:4
 PART NUMBER RJS AE-***X-***X*
 SEE NOTE 2 (pointing to **)
 SEE NOTE 2 (pointing to X)
 SEE NOTE 2 (pointing to **)
 SEE NOTE 2 (pointing to X*)
 LED COLOR CODE THE SAME AS EXAMPLE 1, 2, 3
 LED COLOR CODE THE SAME AS EXAMPLE 1, 2, 3

| | | | |
|----------------------------|------------------------|----------------------|--|
| UNLESS SPECIFIED OTHERWISE | DRAWN PAUL WANG | JUL22/05 | Amphenol Canada Corp. Commercial Products |
| PRIMARY UNITS | CHECKED LAWRENCE | JUL22/05 | |
| SECONDARY | M.E. APP'D | | LED OPTIONS FOR RJS AE, MULTI-PORT CONNECTORS - RoHS COMPLIANT |
| REFERENCE IN PARENTHESES | Q.A. APP'D | | |
| GENERAL TOLERANCES | DWG APP'D | | DWG NO. P-RJS AE-LEDS |
| 1 DECIMAL PLACE | ENG. REL NO. | | |
| 2 DECIMAL PLACES | REF. | | REV L |
| 3 DECIMAL PLACES | | | |
| ANGULAR DEGREES | THIRD ANGLE PROJECTION | DO NOT SCALE DRAWING | CODE ID NO. 03554 DWG SIZE N/A SCALE N/A SHEET 1 OF 1 |