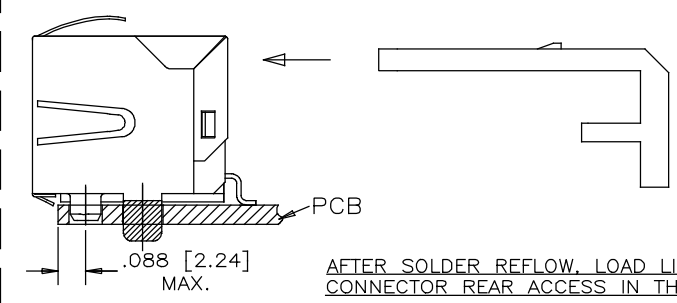
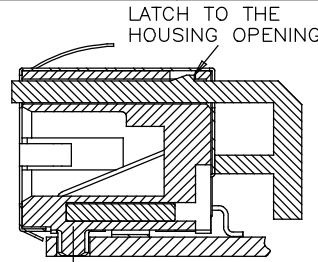


TOP VIEW

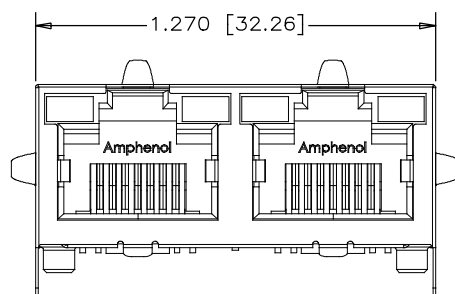


AFTER SOLDER REFLOW, LOAD LIGHT PIPE THROUGH THE CONNECTOR REAR ACCESS IN THE DIRECTION AS SHOWN

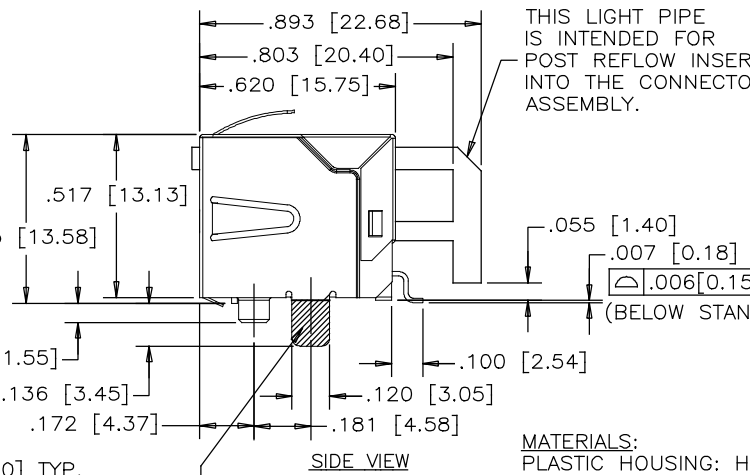


LATCH TO THE HOUSING OPENING

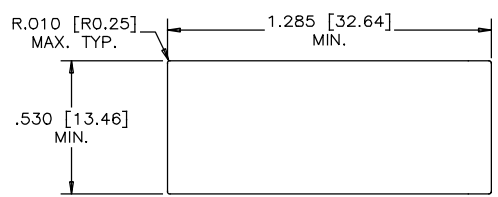
| REVISIONS | | | |
|-----------|--|------------|--------|
| REV. | ECN, ERN NO. | DATE | APPRD. |
| A | PROPOSAL | Jun 4.09 | L.CHAN |
| B | PROPOSAL | Jun 5.09 | L.CHAN |
| C | ADD PACKING DRAWING | July 29.09 | L.CHAN |
| D | MODIFY TRAY PER CUSTOMER REQUIREMENT | Aug 25.09 | L.CHAN |
| E | UPDATE DRAWING | Nov 07.13 | L.CHAN |
| F | CORRECT DIMENSION AND PACKAGING QUANTITY | JAN21/16 | L.CHAN |
| G | UPDATE PART NUMBER NOTES | MAY20/16 | L.CHAN |
| H | FIX THE ERROR FOR PACKAGING QUANTITY | MAR 20/18 | L.CHAN |



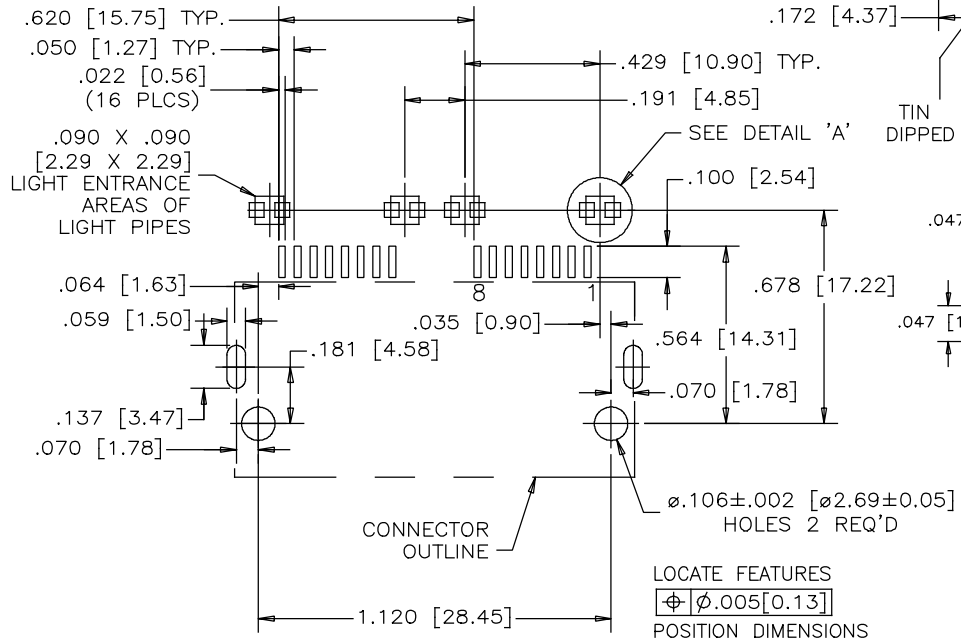
FRONT VIEW



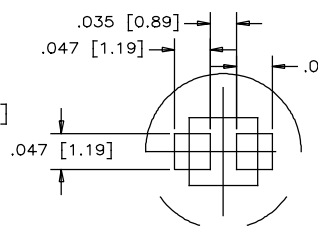
SIDE VIEW



RECOMMENDED PANEL CUTOUT



RECOMMENDED P.C.B. LAYOUT (COMPONENT SIDE OF BOARD)



DETAIL 'A' (ENLARGED)

SMT LED SOLDER PAD HOLES 2 REQ'D (SMT LED TO BE PROVIDED BY THE CUSTOMER)

MATERIALS:
PLASTIC HOUSING: HIGH TEMPERATURE ENGINEERING THERMOPLASTIC FLAMMABILITY RATING UL 94V-0. COLOR: BLACK.

CONTACTS: PHOSPHOR BRONZE
PLATING: 20 μ" [0.51 MICRONS] MIN. GOLD ON MATING SURFACES.
50 μ" [1.27 MICRONS] MIN. NICKEL UNDERPLATE.
100 μ" [2.54 MICRONS] MIN. MATTE TIN ON CONTACT TAILS.

SHIELD: COPPER ALLOY
PLATING: NICKEL

LIGHT PIPE: CLEAR POLYCARBONATE RATED UL 94V-0.

PART NUMBER: RJSS-5S8X-02

SHELL OPTION _____ LIGHT PIPE DESIGNATION
S - SPECIAL SOLDER 0 - BLOCKED
TAIL OF SHEEL 1 - WITH LIGHT PIPE
2 - WITH LIGHT PIPE HOLE, BUT WITHOUT LIGHT PIPE.

LOCATE FEATURES
⊕ ⌀.005 [0.13]
POSITION DIMENSIONS ARE BASIC

| | | | | |
|----------|-------------------|--------------|------|----------|
| MATERIAL | DRAWN | MT.chen | DATE | Jun 4.09 |
| | DESIGNED | | | |
| FINISH | CHECKED | L.CHAN | DATE | Jun 4.09 |
| | I. E. APPRD. | Oyang | DATE | Jun 4.09 |
| | Q. A. APPRD. | Joe | DATE | Jun 4.09 |
| | DWG. APPRD. | | | |
| | ENG. REL. NO. | | | |
| | REF. | | | |
| | DIMENSIONS ARE IN | CODE ID. NO. | | |
| | INCHES [mm] | 03554 | | |

Amphenol Canada Corp.

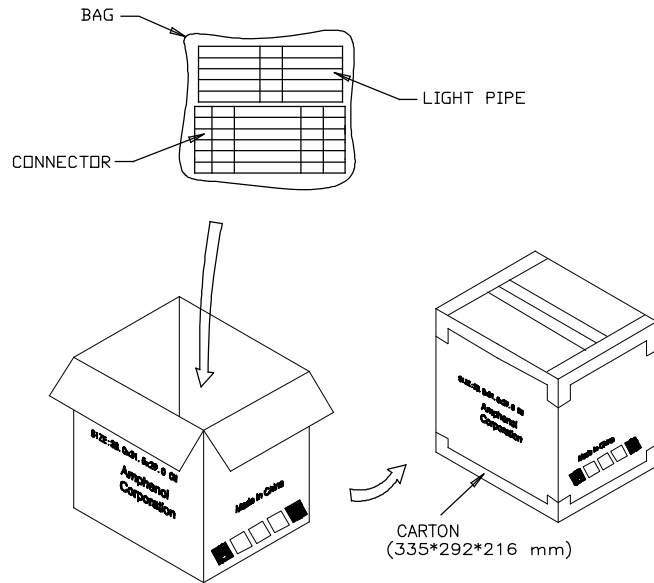
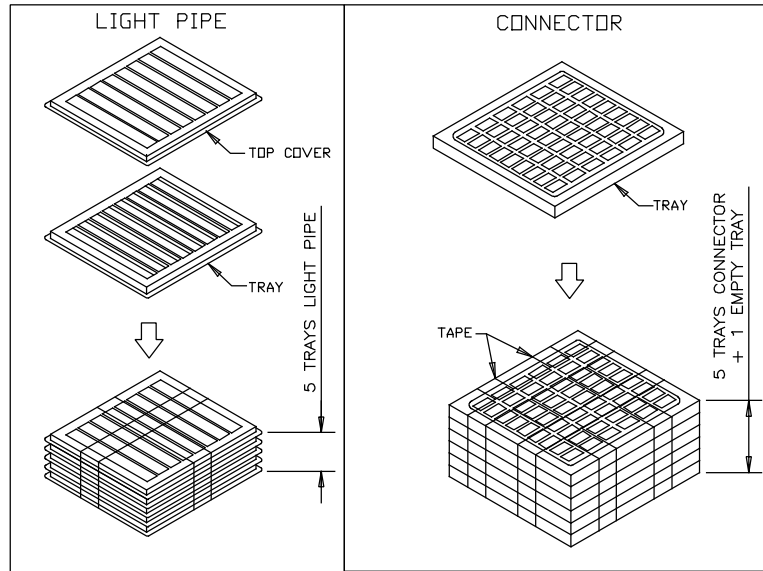
TITLE 2 PORT, SURFACE MOUNT, RJ45 MODULAR JACK, 8 POSITION, 8 CONTACTS, TRAY PACKAGING, SHIELDED, LIGHT PIPES OPTIONAL - RoHS COMPLIANT

DWG. DRAWING NO. P-RJSSE-5S8X-02 REV. H

SCALE 3/1 WT. _____ SURF. _____ SHEET 1 OF 2

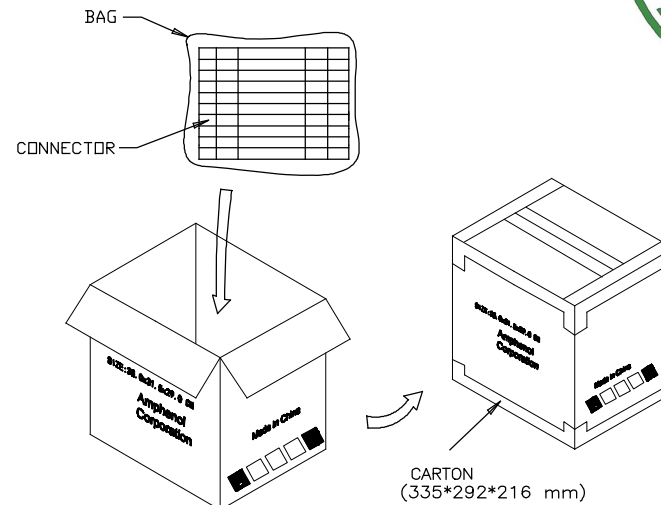
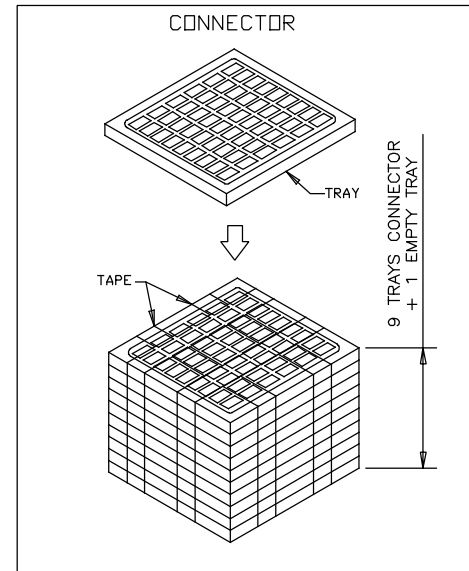
THIS DOCUMENT CONTAINS PROPRIETARY INFORMATION AND SUCH INFORMATION MAY NOT BE DISCLOSED TO OTHERS FOR ANY PURPOSE OR USED FOR MANUFACTURING PURPOSES WITHOUT WRITTEN PERMISSION FROM AMPHENOL CANADA CORP.

RJSSE-5S81-02



- NOTES:
1. EACH TRAY PACK 54PCS CONNECTORS
EACH CARTON PACK 270PCS CONNECTOR [5 TRAYS CONNECTOR AND 1 EMPTY TRAY]
 2. EACH LIGHT PIPE TRAY PACK 128PCS LIGHT PIPE
EACH CARTON PACK 540PCS LIGHT PIPE

RJSSE-5S80-02/RJSSE-5S82-02



- NOTES:
1. EACH TRAY PACK 54PCS CONNECTORS
EACH CARTON PACK 486PCS CONNECTOR [9 TRAYS CONNECTOR AND 1 EMPTY TRAY]

| REVISIONS | | | |
|-----------|--|------------|--------|
| REV. | ECN, ERN NO. | DATE | APPRD. |
| A | PROPOSAL | Jun 4,09 | L.CHAN |
| B | PROPOSAL | Jun 5,09 | L.CHAN |
| C | ADD PACKING DRAWING | July 29,09 | L.CHAN |
| D | MODIFY TRAY PER CUSTOMER REQUIREMENT | Aug 25,09 | L.CHAN |
| E | UPDATE DRAWING | Nov 07,13 | L.CHAN |
| F | CORRECT DIMENSION AND PACKAGING QUANTITY | JAN21/16 | L.CHAN |
| G | UPDATE PART NUMBER NOTES | MAY20/16 | L.CHAN |
| H | FIX THE ERROR FOR PACKAGING QUANTITY | MAR 20/18 | L.CHAN |



| | | | |
|-------------------|--------------|------|----------|
| DRAWN | MT.chen | DATE | Jul 4,09 |
| DESIGNED | | | |
| CHECKED | L.CHAN | DATE | Jul 4,09 |
| I. E. APPRD. | Oyang | DATE | Jul 4,09 |
| Q. A. APPRD. | Joe | DATE | Jul 4,09 |
| DWG. APPRD. | | | |
| ENG. REL. NO. | | | |
| REF. | | | |
| DIMENSIONS ARE IN | CODE ID. NO. | | |
| INCHES [mm] | 03554 | | |

Amphenol Canada Corp.

TITLE 2 PORT, SURFACE MOUNT, RJ45 MODULAR JACK, 8 POSITION, 8 CONTACTS, TRAY PACKAGING, SHIELDED, LIGHT PIPES OPTIONAL - RoHS COMPLIANT

| | | |
|-------|-----------------|--------------|
| DWG | DRAWING NO. | REV. |
| | P-RJSSE-5S8X-02 | H |
| SCALE | WT. | SURF. |
| | | SHEET 2 of 2 |