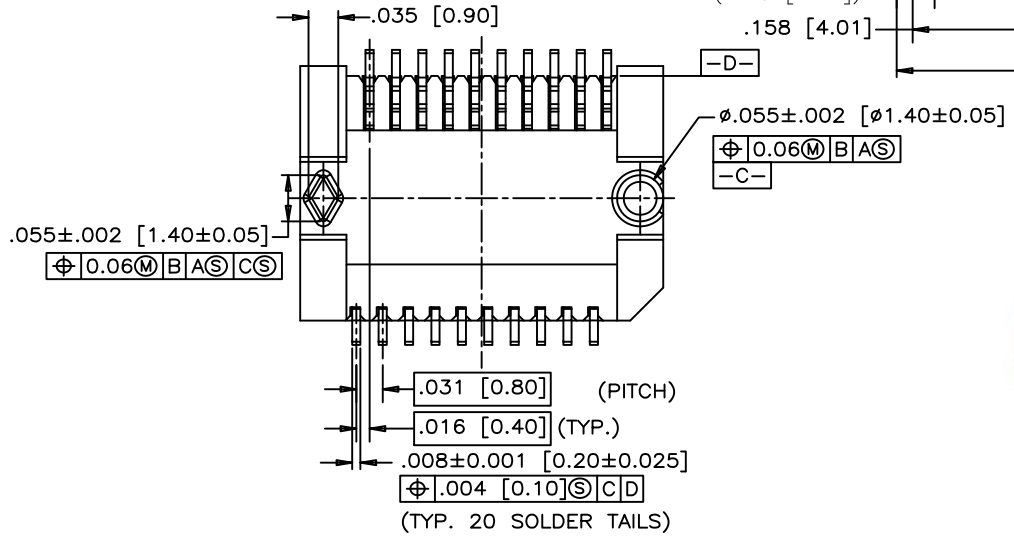
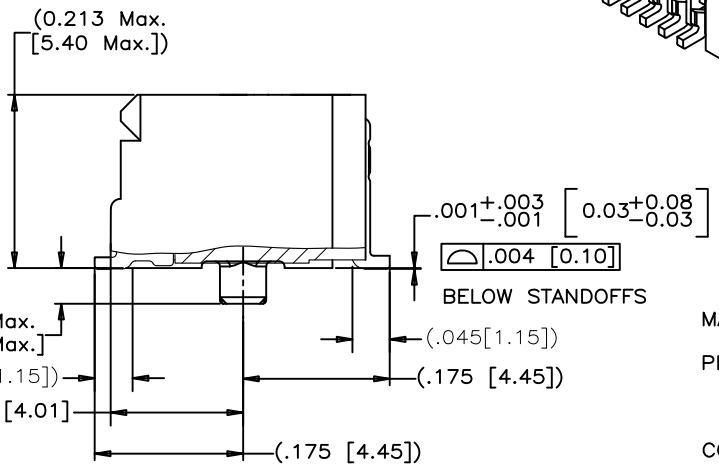
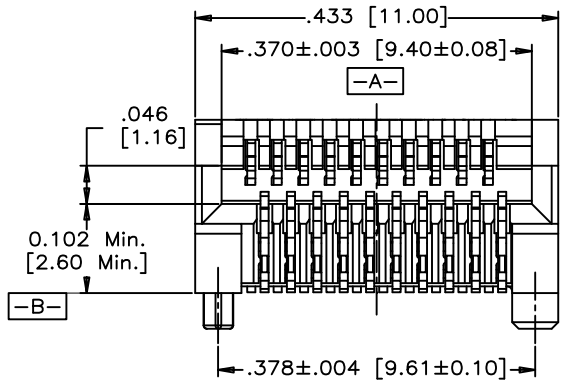
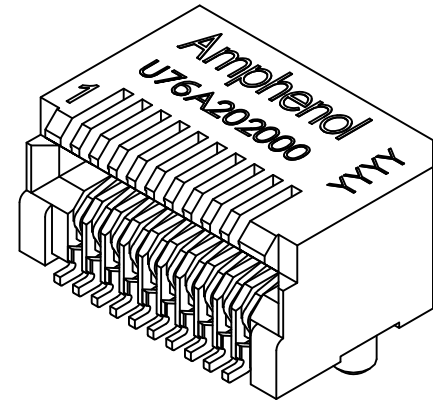
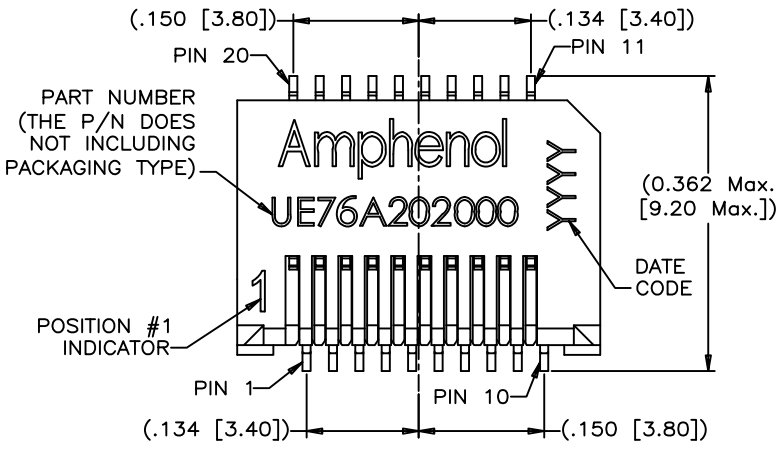


REVISIONS				
SYM	ZONE	ECN, ERN NO.	DATE	APPRD.
B		ADD DIMENSIONS	OCT 22,12	J.SI
C		ADD DIMENSIONS	MAY 28,13	J.SI
D		ADD DIMENSIONS	AUG 26,13	J.SI
E		UPDATE TOLERANCES	MAY 19,14	J.SI



MATERIAL NOTES:
 PLASTIC HOUSING:
 HIGH TEMPERATURE LCP
 FLAMMABILITY RATING UL94V-0.
 CONTACTS:
 PHOSPHOR BRONZE
 PLATING:
 30μ" [0.76 μm] MIN. GOLD ON MATING
 AREA AND 2 μ" (0.05 μm) GOLD FLASH
 PLATING ON TERMINATION OVER 50μ"
 [1.27 μm] MIN. NICKEL UNDER LAYER.

PACKAGING:
 TAPE AND REEL.

TEMPERATURE RANGE:
 -40°C TO +85°C

AMPHENOL PART NUMBER:
 UE76-A20-2000T



Amphenol Canada Corp.

TITLE
 SFP+ 20 POSITION HIGH SPEED CONNECTOR
 RECEPTACLE FIXED BOARD, RIGHT ANGLE SMT
 FOR HW

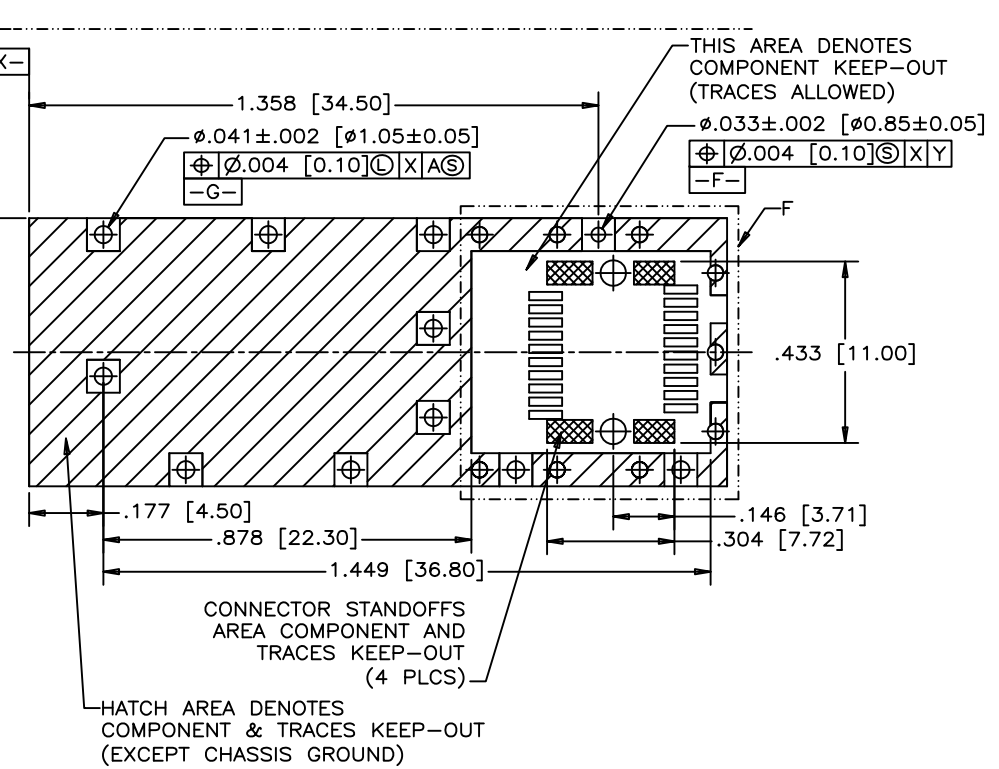
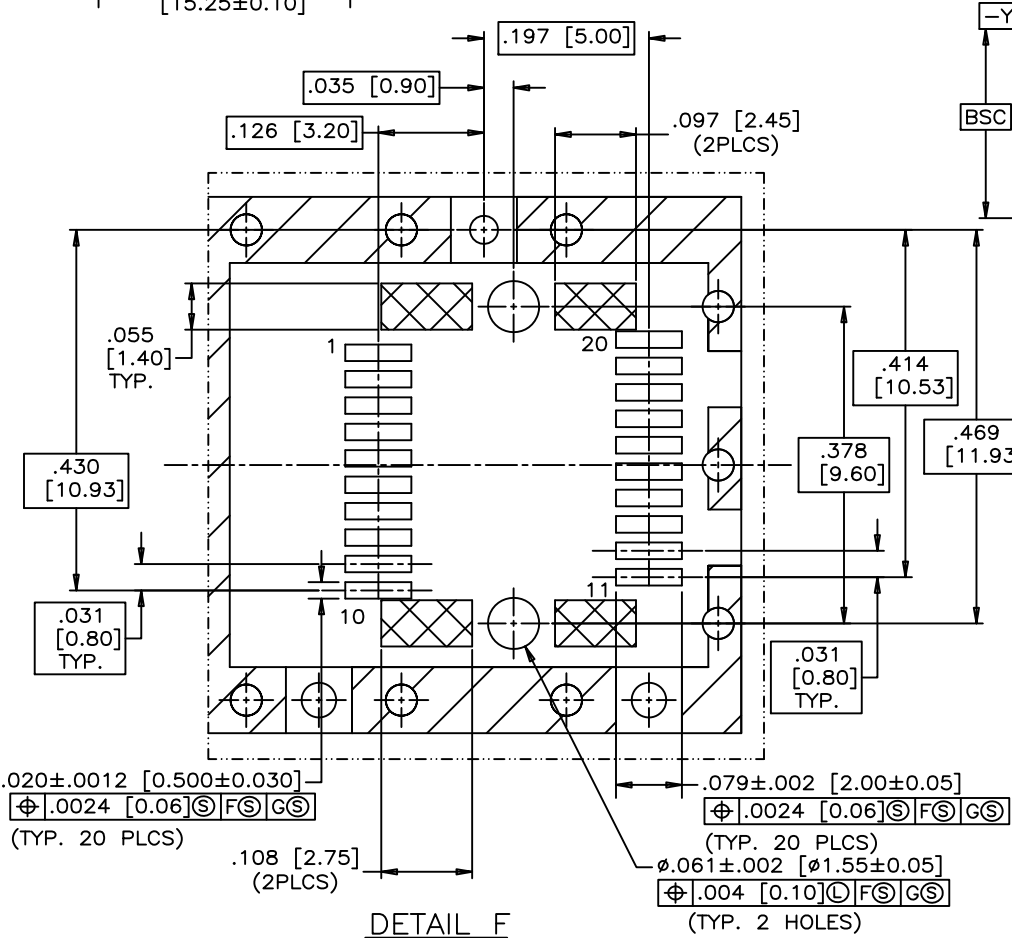
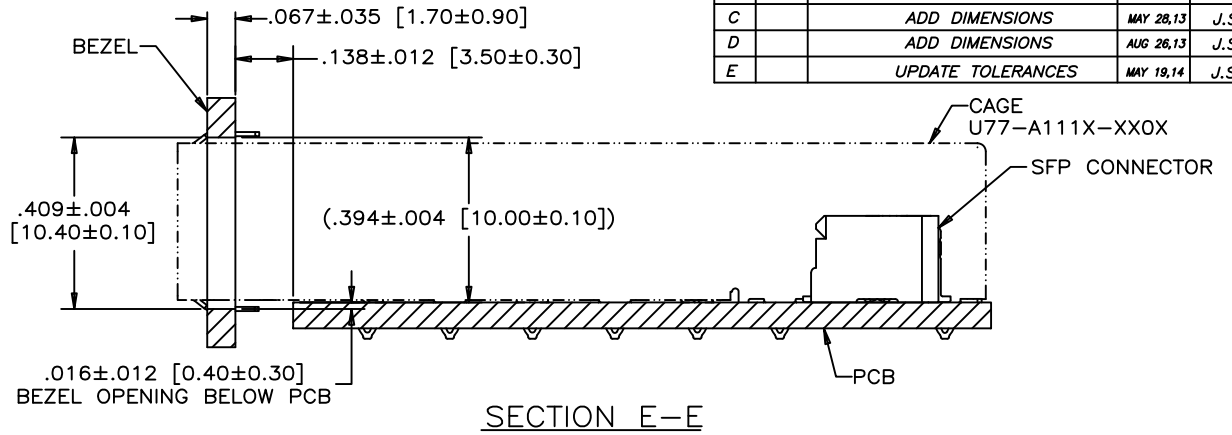
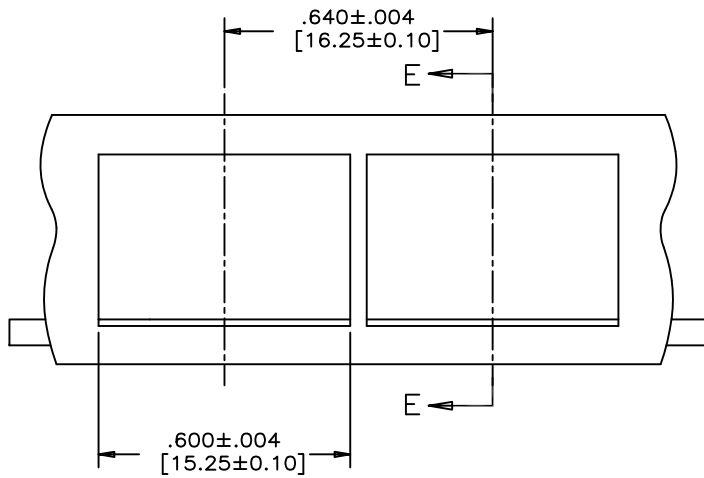
DRAWN	Hisen.X	DATE	SEP 03,12
DESIGNED			
CHECKED	J.SI	SEP 03,12	
I. E. APPRD.			
Q. A. APPRD.			
DWG. APPRD.	J.SI	SEP 03,12	

GENERAL TOLERANCES		DWG. APPRD.	J.SI	SEP 03,12
INCH	MILLIMETERS	ENG. REL. NO.		
DECIMALS	X.XX±0.010	X.X±0.25	REF.	
	X.XXX±0.006	X.XX±0.15	DIMENSIONS ARE IN	
ANGLES	X°±1'		INCHES [mm]	CODE ID. NO.
	X.X°±0.5'			03554

DWG	A	DRAWING NO.	P-UE76-A20-2000T	REV.	E
SCALE	4/1	WT.	-----	SURF.	-----
				SHEET	1 OF 3

THIS DOCUMENT CONTAINS PROPRIETARY INFORMATION AND SUCH INFORMATION MAY NOT BE DISCLOSED TO OTHERS FOR ANY PURPOSE OR USED FOR MANUFACTURING PURPOSES WITHOUT WRITTEN PERMISSION FROM AMPHENOL CANADA CORP.

REVISIONS				
SYM	ZONE	ECN, ERN NO.	DATE	APPRD.
B		ADD DIMENSIONS	OCT 22,12	J.SI
C		ADD DIMENSIONS	MAY 28,13	J.SI
D		ADD DIMENSIONS	AUG 26,13	J.SI
E		UPDATE TOLERANCES	MAY 19,14	J.SI



DRAWN	Hisen.X	DATE	SEP 03,12
DESIGNED			
CHECKED	J.SI	DATE	SEP 03,12
I. E. APPRD.			
Q. A. APPRD.			
DWG. APPRD.	J.SI	DATE	SEP 03,12

Amphenol Canada Corp.

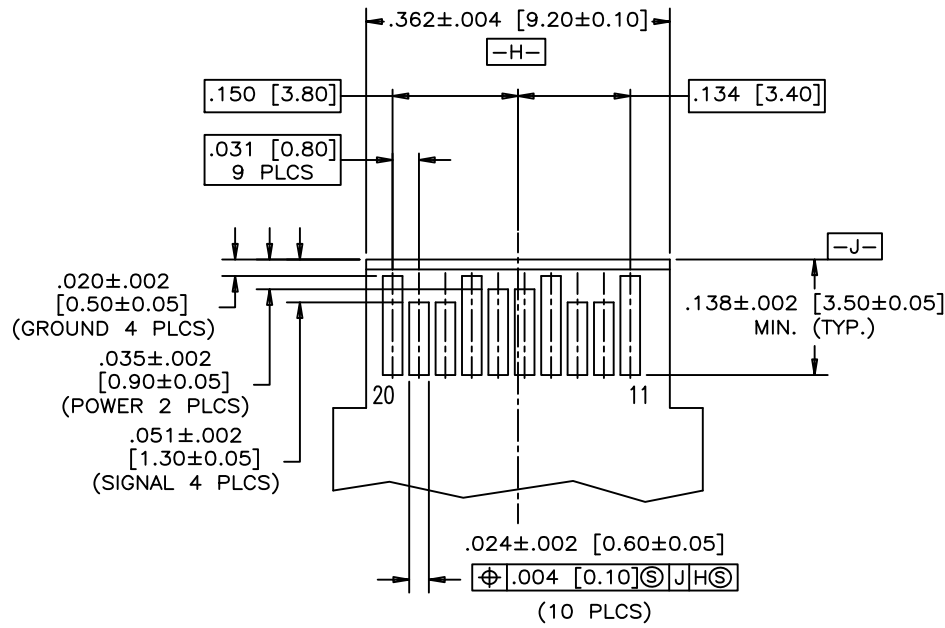
TITLE
SFP+ 20 POSITION HIGH SPEED CONNECTOR RECEPTACLE FIXED BOARD, RIGHT ANGLE SMT FOR HW

GENERAL TOLERANCES			
	INCH	MILLIMETERS	DWG. APPRD.
DECIMALS	X.XX±0.010	X.X±0.25	ENG. REL. NO.
	X.XXX±0.006	X.XX±0.15	REF.
ANGLES	X°±1'		DIMENSIONS ARE IN INCHES [mm]
	X°X'±0.5"		CODE ID. NO. 03554

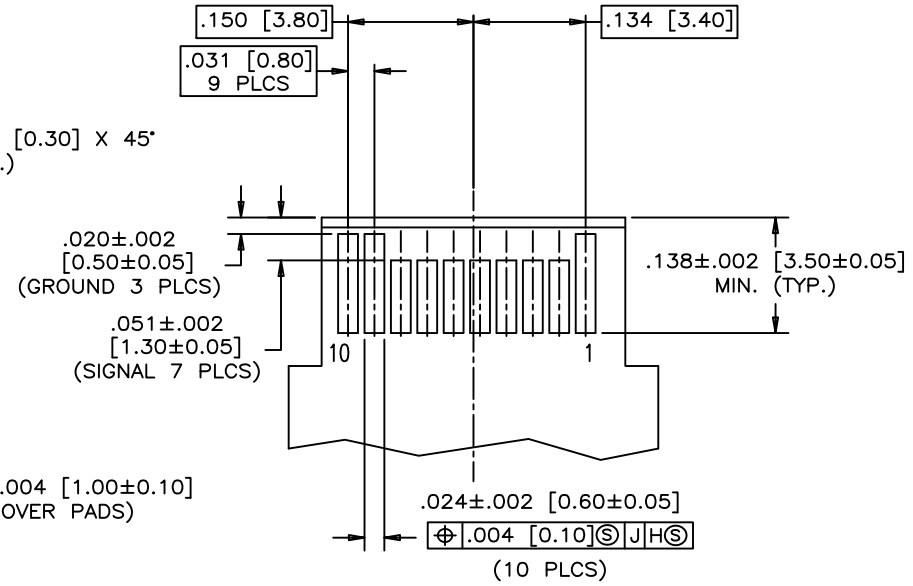
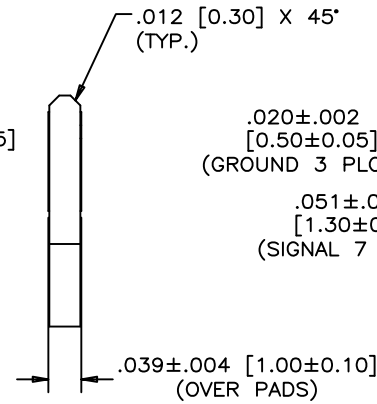
DWG	A	DRAWING NO.	P-UE76-A20-2000T	REV.	E
SCALE	4/1	WT.		SURF.	
			SHEET 2 OF 3		

THIS DOCUMENT CONTAINS PROPRIETARY INFORMATION AND SUCH INFORMATION MAY NOT BE DISCLOSED TO OTHERS FOR ANY PURPOSE OR USED FOR MANUFACTURING PURPOSES WITHOUT WRITTEN PERMISSION FROM AMPHENOL CANADA CORP.

REVISIONS				
SYM	ZONE	ECN, ERN NO.	DATE	APPRD.
B		ADD DIMENSIONS	OCT 22,12	J.SI
C		ADD DIMENSIONS	MAY 28,13	J.SI
D		ADD DIMENSIONS	AUG 26,13	J.SI
E		UPDATE TOLERANCES	MAY 19,14	J.SI



TOP VIEW OF BOARD



BOTTOM VIEW OF BOARD

RECOMMENDED LAYOUT DETAIL
MATING TRANSCEIVER PCB

DRAWN	Hisen.X	DATE	SEP 03,12
DESIGNED			
CHECKED	J.SI	DATE	SEP 03,12
I. E. APPRD.			
Q. A. APPRD.			
DWG. APPRD.	J.SI	DATE	SEP 03,12

Amphenol Canada Corp.

TITLE
SFP+ 20 POSITION HIGH SPEED CONNECTOR
RECEPTACLE FIXED BOARD, RIGHT ANGLE SMT
FOR HW

GENERAL TOLERANCES		DWG. APPRD.	J.SI	DATE	SEP 03,12
DECIMALS	X.XX±0.010 X.XXX±0.006	X.X±0.25 X.XX±0.15	ENG. REL. NO.	REF.	
ANGLES	X°±1° X.X°±0.5°	DIMENSIONS ARE IN INCHES [mm]	CODE ID. NO.	03554	

DWG	A	DRAWING NO.	P-UE76-A20-2000T	REV.	E
SCALE	4/1	WT.	-----	SURF.	-----
				SHEET	3 OF 3

THIS DOCUMENT CONTAINS PROPRIETARY INFORMATION AND SUCH INFORMATION MAY NOT BE DISCLOSED TO OTHERS FOR ANY PURPOSE OR USED FOR MANUFACTURING PURPOSES WITHOUT WRITTEN PERMISSION FROM AMPHENOL CANADA CORP.