

AMPHENOL PART NUMBER CONFIGURATION

UE86-3G1420-X0X61

LIGHT PIPE OPTION

- 0 - NO LIGHT PIPE
- 1 - 4 LP PER 2X1, NORMAL ORIENTATION
- 2 - 2 INNER LP PER 2X1, NORMAL ORIENTATION
- 3 - 2 OUTER LP PER 2X1, NORMAL ORIENTATION
- 4 - 4 LP PER 2X1, REVERSING ORIENTATION
- 5 - 2 INNER LP PER 2X1, REVERSING ORIENTATION
- 6 - 2 OUTER LP PER 2X1, REVERSING ORIENTATION
- 7 - 3 LP PER 2X1, 2 OUTER LP, NORMAL ORIENTATION
- 8 - 3 LP PER 2X1, 2 OUTER LP, REVERSING ORIENTATION

PACKAGING

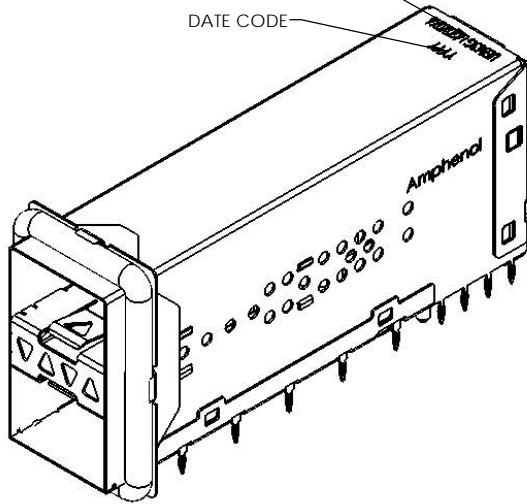
- 1 - TRAY PACKAGING (STACKED)

PLATING OPTIONS FOR CONNECTOR

- 2 - 30µ" GOLD PLATING ON MATING AREA  
15-100µ" MATTE TIN ON TERMINATION
- 3 - 30µ" GOLD PLATING ON MATING AREA  
150-300µ" MATTE TIN ON TERMINATION
- 5 - 15µ" GOLD PLATING ON MATING AREA  
15-100µ" MATTE TIN ON TERMINATION
- 6 - 15µ" GOLD PLATING ON MATING AREA  
150-300µ" MATTE TIN ON TERMINATION

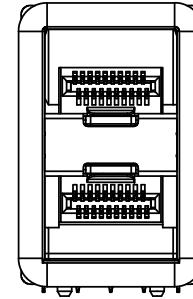
PART NUMBER  
(LAST DIGIT INDICATING  
PACKAGING TYPE, NOT  
PRINTED ON THE PART)

DATE CODE

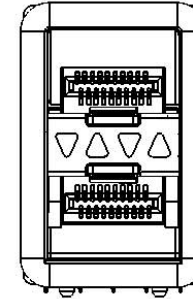


MATERIAL: (RoHS COMPLIANT)

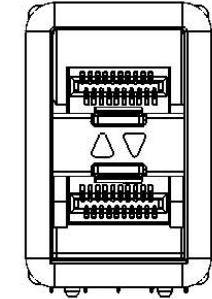
- 1. CAGE - PRESS FIT: COPPER ALLOY (NICKEL SILVER)
- 2. CONNECTOR - PRESS FIT:  
- PLASTIC HOUSING: LCP, FLAMMABILITY RATING UL94-V0  
- CONTACTS: PHOSPHOR BRONZE
- 3. LIGHT PIPE: CLEAR POLYCARBONATE, FLAMMABILITY RATING UL94-V0
- 4. PACKAGING: TRAY PACKAGING
- 5. TEMPERATURE RANGE: -40°C TO +85°C
- 6. EMI GASKET: CONDUCTIVE ELASTOMER UL94-V0



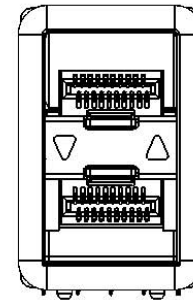
NO LIGHT PIPE  
UE86-3G1420-00X61



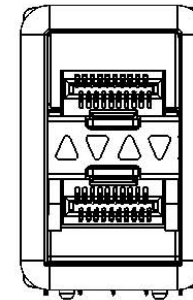
4 LIGHT PIPES  
UE86-3G1420-10X61



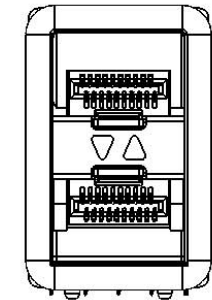
2 INNER LIGHT PIPES  
UE86-3G1420-20X61



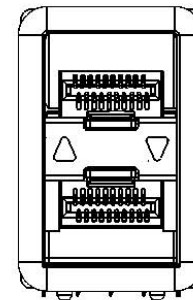
2 OUTER LIGHT PIPES  
UE86-3G1420-30X61



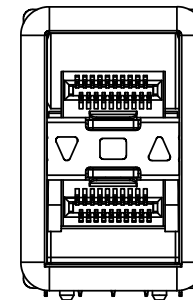
4 LIGHT PIPES UPSIDE DOWN  
UE86-3G1420-40X61



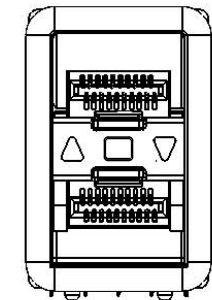
2 INNER LIGHT PIPES UPSIDE DOWN  
UE86-3G1420-50X61



2 OUTER LIGHT PIPES UPSIDE DOWN  
UE86-3G1420-60X61



3 LIGHT PIPES  
UE86-3G1420-70X61



3 LIGHT PIPES UPSIDE DOWN  
UE86-3G1420-80X61

REVISIONS				
REV.	ECN	DESCRIPTION	DATE	APPROVED
B		CORRECTION OF P/Ns AND 3rd CONFIGURATION VIEW	NOV 07/13	J. SI
C		UPDATE PLATING OPTIONS	JUN 25/14	J.SI
D		UPDATE NOTES	AUG 15/14	J.SI

UNLESS SPECIFIED OTHERWISE	DRAWN	P. OU	NOV 05/13
DIMENSIONS ARE IN MILLIMETERS	CHECKED	J. SI	NOV 05/13
REFERENCE IN PARENTHESES	M.E. APPD		
GENERAL TOLERANCES	Q.A. APPD		
1 DECIMAL PLACE ±0.25	DWG APPD		
2 DECIMAL PLACE ±0.15	MATERIAL AND FINISH	SEE NOTES	
3 DECIMAL PLACE N/A	REF.	ECN Exxxxx	
ANGULAR DEGREES ±1°	THIRD ANGLE PROJECTION		
ENG. REL. NO.	DO NOT SCALE DRAWING		

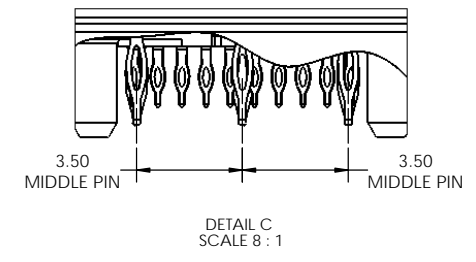
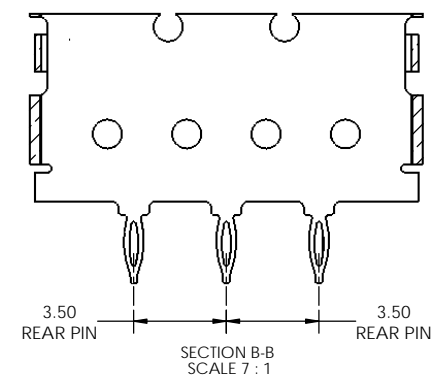
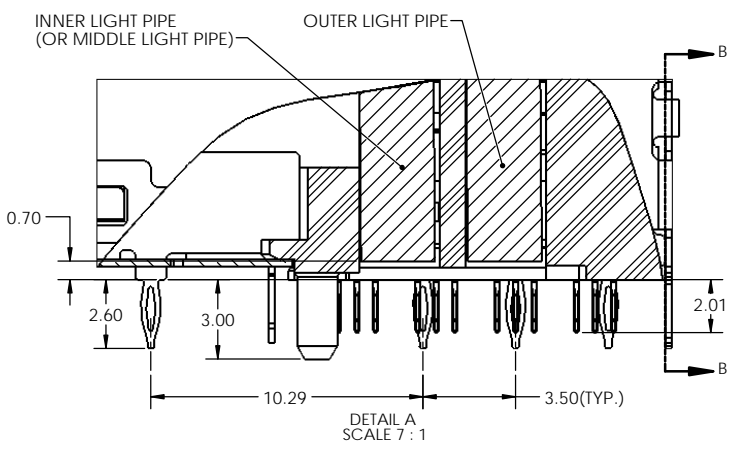
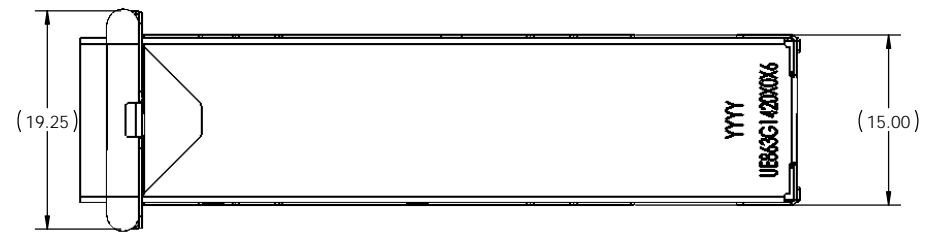
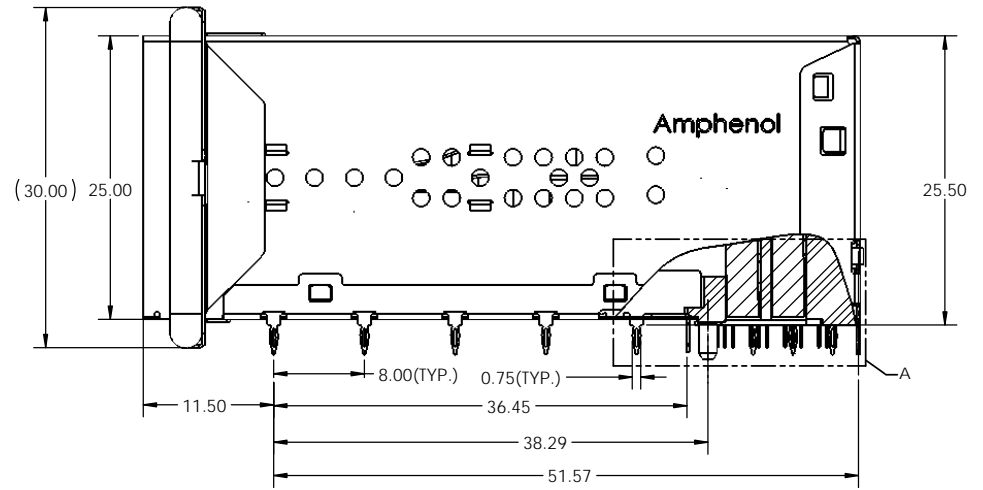
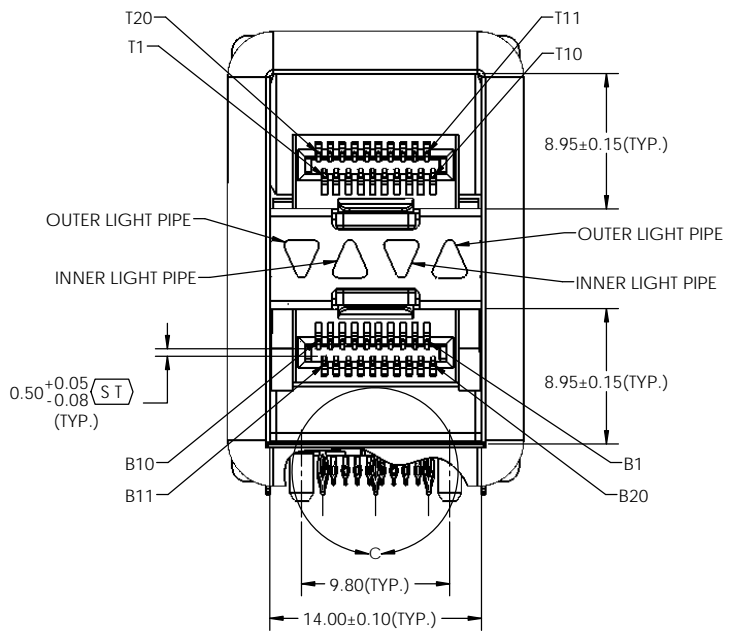
**Amphenol High Speed Interconnects**  
A Division of Amphenol Corp. [www.amphenolcanada.com](http://www.amphenolcanada.com)

2X1 SFP ULTRAPORT WITH LIGHT PIPE  
OPTIONS AND EMI GASKET

DWG. NO. **P-UE86-3G1420-X0X61** REV **D**

CODE ID NO. 03554 DWG SIZE: C SCALE: 2.5:1 SHEET 1 OF 4

REVISIONS				
REV.	ECN	DESCRIPTION	DATE	APPROVED
B		CORRECTION OF P/Ns AND 3rd CONFIGURATION VIEW	NOV 07/13	J. SI
C		UPDATE PLATING OPTIONS	JUN 25/14	J.SI
D		UPDATE NOTES	AUG 15/14	J.SI



THIS DOCUMENT CONTAINS PROPRIETARY INFORMATION AND SUCH INFORMATION MAY NOT BE DISCLOSED TO OTHERS FOR ANY PURPOSE OR USED FOR MANUFACTURING PURPOSES WITHOUT WRITTEN PERMISSION FROM AMPHENOL CANADA CORP.

UNLESS SPECIFIED OTHERWISE	DRAWN	P. OU	NOV 05/13
DIMENSIONS ARE IN MILLIMETERS	CHECKED	J. SI	NOV 05/13
REFERENCE IN PARENTHESES	M.E. APP'D		
GENERAL TOLERANCES	Q.A. APP'D		
1 DECIMAL PLACE ±0.25	DWG APP'D		
2 DECIMAL PLACE ±0.15	MATERIAL AND FINISH	SEE NOTES	
3 DECIMAL PLACE N/A	REF.	ECN Exxxxx	
ANGULAR DEGREES ±1°	THIRD ANGLE PROJECTION		
ENG. REL. NO.	DO NOT SCALE DRAWING		

**Amphenol High Speed Interconnects**  
 A Division of Amphenol Corp. [www.amphenolcanada.com](http://www.amphenolcanada.com)

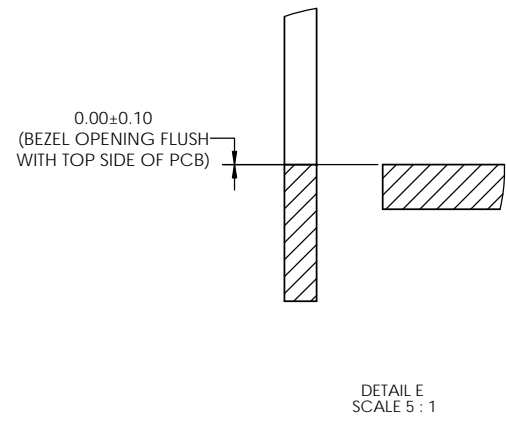
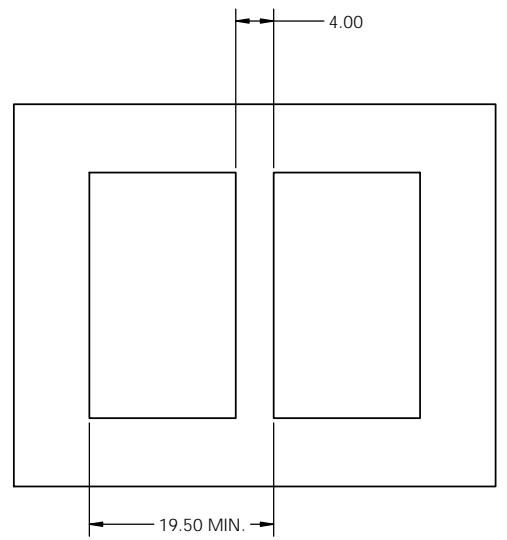
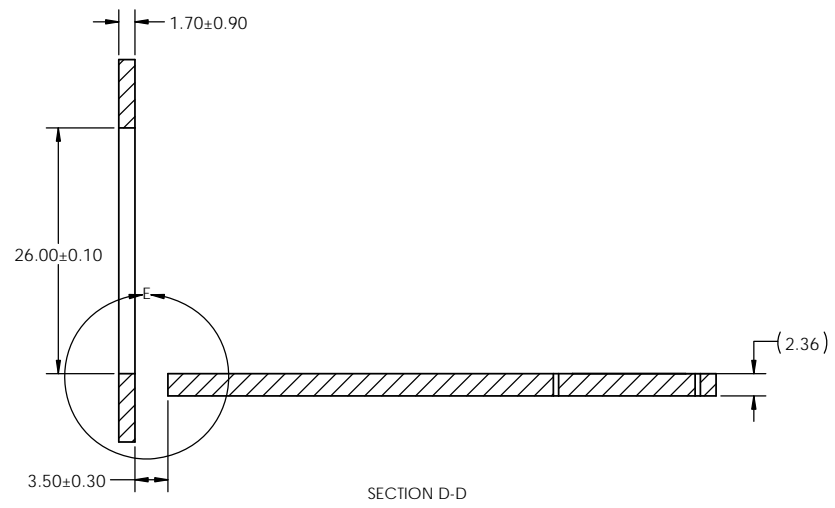
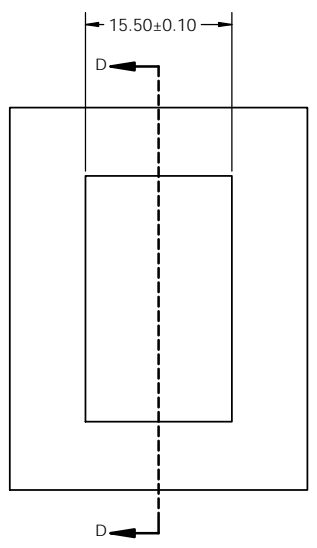
2X1 SFP ULTRAPORT WITH LIGHT PIPE  
 OPTIONS AND EMI GASKET

DWG. NO. P-UE86-3G1420-X0X61

CODE ID NO. 03554 DWG SIZE: C SCALE: 3:1 SHEET 2 OF 4

REV D

REVISIONS				
REV.	ECN	DESCRIPTION	DATE	APPROVED
B		CORRECTION OF P/Ns AND 3rd CONFIGURATION VIEW	NOV 07/13	J. SI
C		UPDATE PLATING OPTIONS	JUN 25/14	J.SI
D		UPDATE NOTES	AUG 15/14	J.SI



THIS DOCUMENT CONTAINS PROPRIETARY INFORMATION AND SUCH INFORMATION MAY NOT BE DISCLOSED TO OTHERS FOR ANY PURPOSE OR USED FOR MANUFACTURING PURPOSES WITHOUT WRITTEN PERMISSION FROM AMPHENOL CANADA CORP.

UNLESS SPECIFIED OTHERWISE	DRAWN	P. OU	NOV 05/13
DIMENSIONS ARE IN MILLIMETERS	CHECKED	J. SI	NOV 05/13
REFERENCE IN PARENTHESES	M.E. APP'D		
GENERAL TOLERANCES	Q.A. APP'D		
1 DECIMAL PLACE	±0.25		
2 DECIMAL PLACE	±0.15		
3 DECIMAL PLACE	N/A		
ANGULAR DEGREES	±1°		
ENG. REL. NO.			
	THIRD ANGLE PROJECTION	DO NOT SCALE DRAWING	

**Amphenol High Speed Interconnects**  
 A Division of Amphenol Corp. [www.amphenolcanada.com](http://www.amphenolcanada.com)

2X1 SFP ULTRAPORT WITH LIGHT PIPE  
 OPTIONS AND EMI GASKET

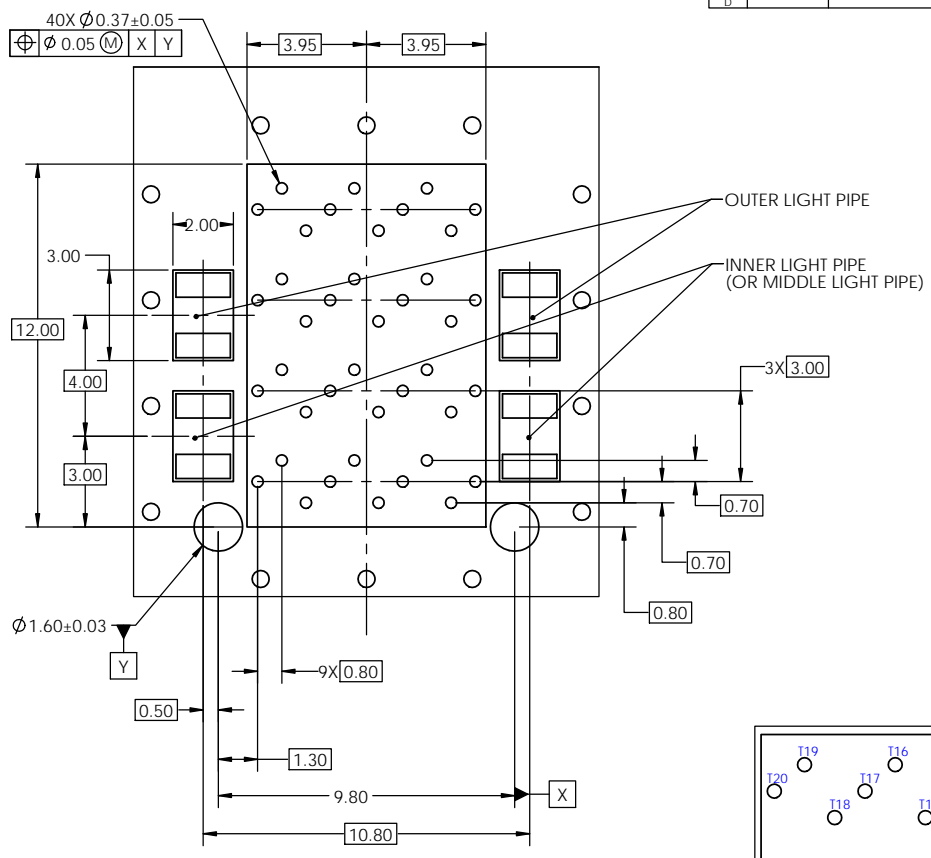
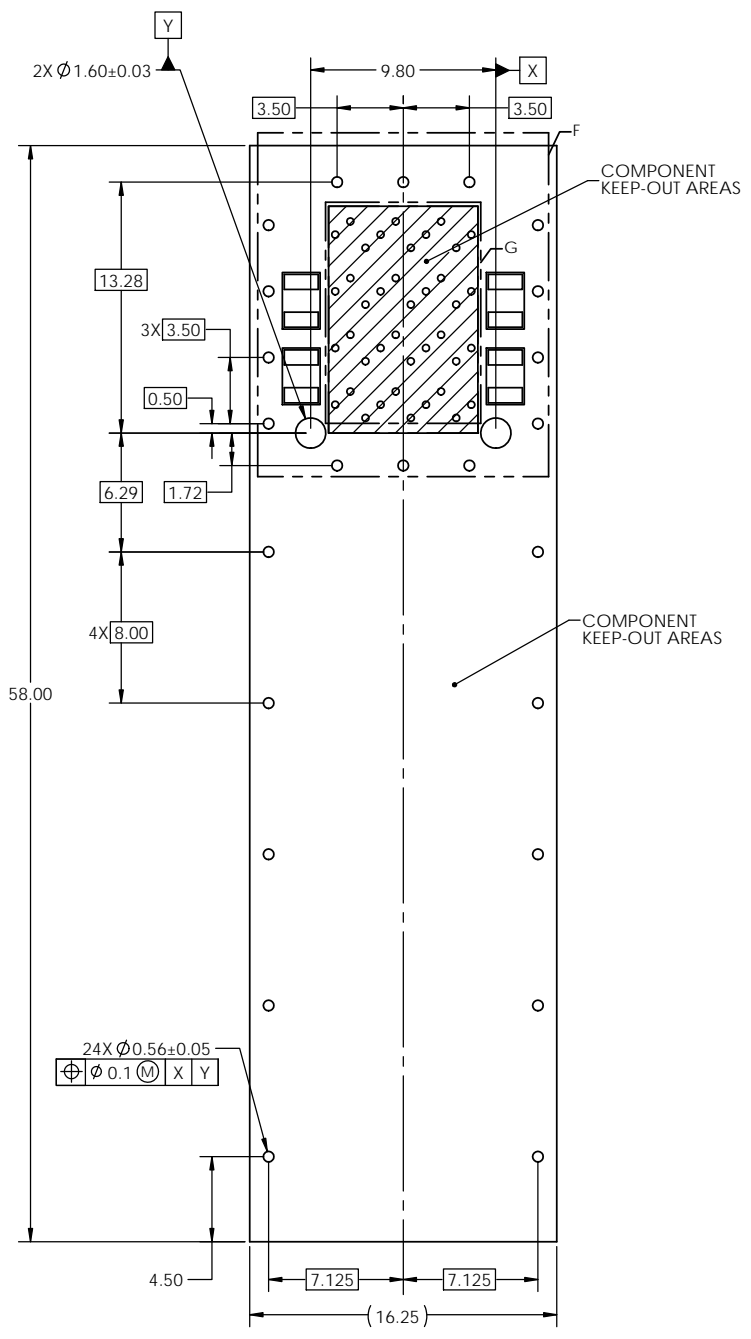
DWG. NO. P-UE86-3G1420-X0X61

CODE ID NO. 03554 | DWG SIZE: C | SCALE: 2.5:1 | SHEET 3 OF 4

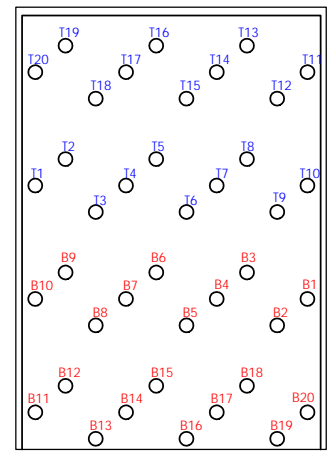
REV D

REVISIONS				
REV.	ECN	DESCRIPTION	DATE	APPROVED
B		CORRECTION OF P/Ns AND 3rd CONFIGURATION VIEW	NOV 07/13	J. SI
C		UPDATE PLATING OPTIONS	JUN 25/14	J.SI
D		UPDATE NOTES	AUG 15/14	J.SI

NOTES:  
1. 0.56MM DIAMETER HOLES ARE CHASSIS GROUND (24 HOLES)



DETAIL F  
SCALE 8 : 1



DETAIL G  
SCALE 10 : 1

## 2X1 PCB LAYOUT

UNLESS SPECIFIED OTHERWISE	DRAWN	P. OU	NOV 05/13
DIMENSIONS ARE IN MILLIMETERS	CHECKED	J. SI	NOV 05/13
REFERENCE IN PARENTHESES	M.E. APP'D		
GENERAL TOLERANCES	Q.A. APP'D		
1 DECIMAL PLACE ±0.25	DWG APP'D		
2 DECIMAL PLACE ±0.15	MATERIAL AND FINISH	SEE NOTES	
3 DECIMAL PLACE N/A	REF.	ECN Exxxx	
ANGULAR DEGREES ±1°	THIRD ANGLE PROJECTION		
ENG. REL. NO.	DO NOT SCALE DRAWING		

**Amphenol High Speed Interconnects**  
A Division of Amphenol Corp. [www.amphenolcanada.com](http://www.amphenolcanada.com)

2X1 SFP ULTRAPORT WITH LIGHT PIPE  
OPTIONS AND EMI GASKET

DWG. NO. P-UE86-3G1420-X0X61

CODE ID NO. 03554 DWG SIZE: C SCALE: 2.5:1 SHEET 4 OF 4

REV D