

REVISIONS				
REV.	ECN	DESCRIPTION	DATE	APPROVED
A		INITIAL RELEASE	FEB 07/14	J. SI
B		UPDATE PLATING OPTIONS	JUN 25/14	J. SI
C		UPDATE NOTES	AUG 15/14	J. SI

AMPHENOL PART NUMBER CONFIGURATION
UE86-3G1620-X0X61

LIGHT PIPE OPTION

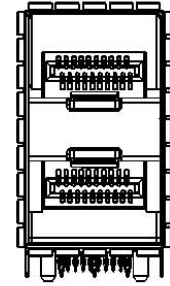
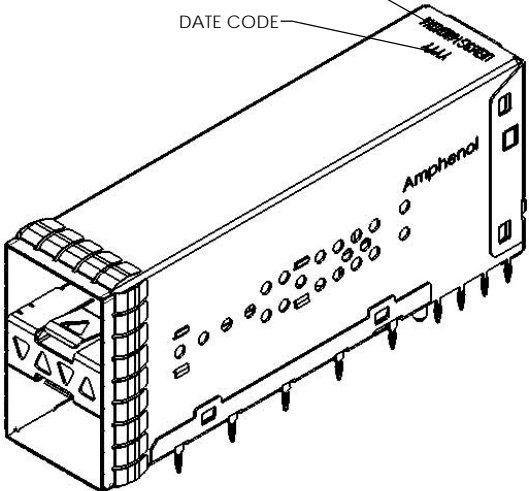
- 0 - NO LIGHT PIPE
- 1 - 4 LP PER 2X1, NORMAL ORIENTATION
- 2 - 2 INNER LP PER 2X1, NORMAL ORIENTATION
- 3 - 2 OUTER LP PER 2X1, NORMAL ORIENTATION
- 4 - 4 LP PER 2X1, REVERSING ORIENTATION
- 5 - 2 INNER LP PER 2X1, REVERSING ORIENTATION
- 6 - 2 OUTER LP PER 2X1, REVERSING ORIENTATION
- 7 - 3 LP PER 2X1, 2 OUTER LP, NORMAL ORIENTATION
- 8 - 3 LP PER 2X1, 2 OUTER LP, REVERSING ORIENTATION

PACKAGING
 1 - TRAY PACKAGING (STACKED)

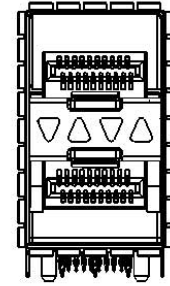
- PLATING OPTIONS FOR CONNECTOR**
- 2 - 30µ" GOLD PLATING ON MATING AREA
 15-100µ" MATTE TIN ON TERMINATION
 - 3 - 30µ" GOLD PLATING ON MATING AREA
 150-300µ" MATTE TIN ON TERMINATION
 - 5 - 15µ" GOLD PLATING ON MATING AREA
 15-100µ" MATTE TIN ON TERMINATION
 - 6 - 15µ" GOLD PLATING ON MATING AREA
 150-300µ" MATTE TIN ON TERMINATION

PART NUMBER (LAST DIGIT INDICATING PACKAGING TYPE. NOT PRINTED ON THE PART)

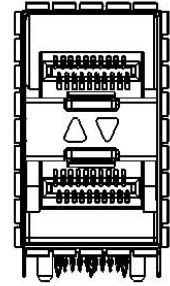
DATE CODE



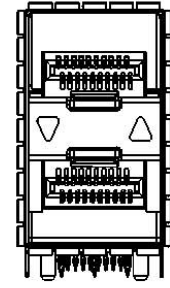
NO LIGHT PIPES
 UE86-3G1620-00X61



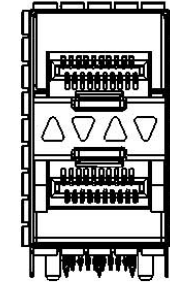
4 LIGHT PIPES
 UE86-3G1620-10X61



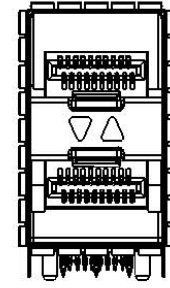
2 INNER LIGHT PIPES
 UE86-3G1620-20X61



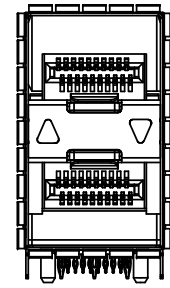
2 OUTER LIGHT PIPES
 UE86-3G1620-30X61



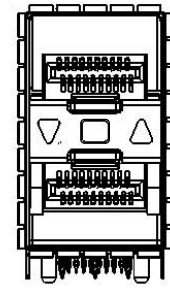
4 LIGHT PIPES UPSIDE DOWN
 UE86-3G1620-40X61



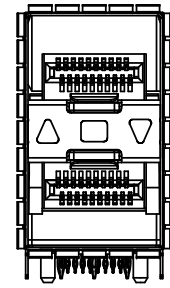
2 INNER LIGHT PIPES UPSIDE DOWN
 UE86-3G1620-50X61



2 OUTER LIGHT PIPES UPSIDE DOWN
 UE86-3G1620-60X61



3 LIGHT PIPES
 UE86-3G1620-70X61



3 LIGHT PIPES UPSIDE DOWN
 UE86-3G1620-80X61

MATERIAL: (RoHS COMPLIANT)

1. CAGE - PRESS FIT: COPPER ALLOY (NICKEL SILVER)
2. CONNECTOR - PRESS FIT:
 - PLASTIC HOUSING: LCP, FLAMMABILITY RATING UL94-V0
 - CONTACTS: PHOSPHOR BRONZE
3. LIGHT PIPE: CLEAR POLYCARBONATE, FLAMMABILITY RATING UL94-V0
4. PACKAGING: TRAY PACKAGING
5. TEMPERATURE RANGE: -40°C TO +85°C



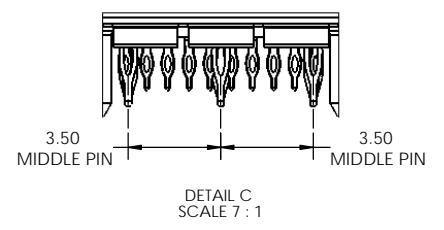
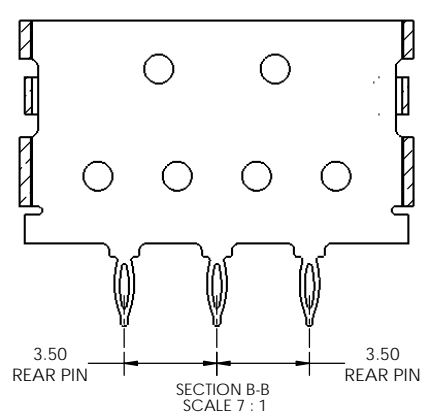
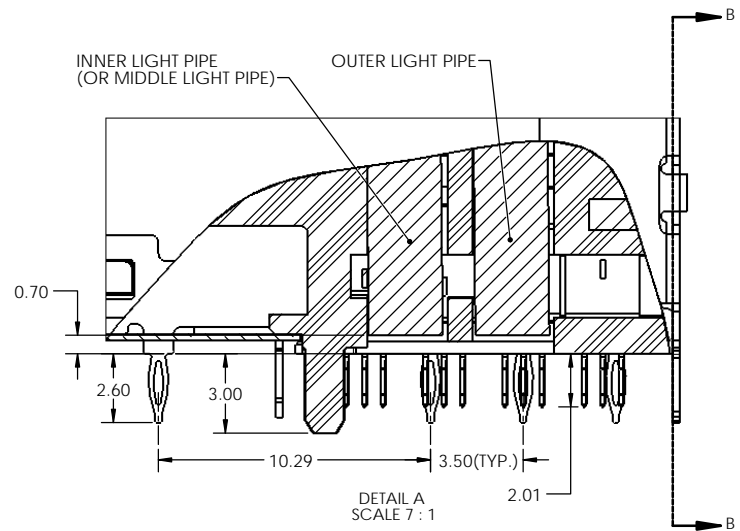
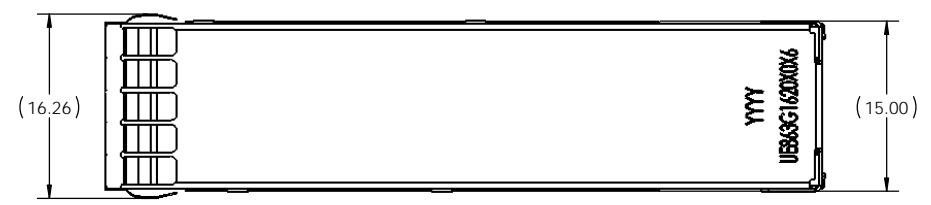
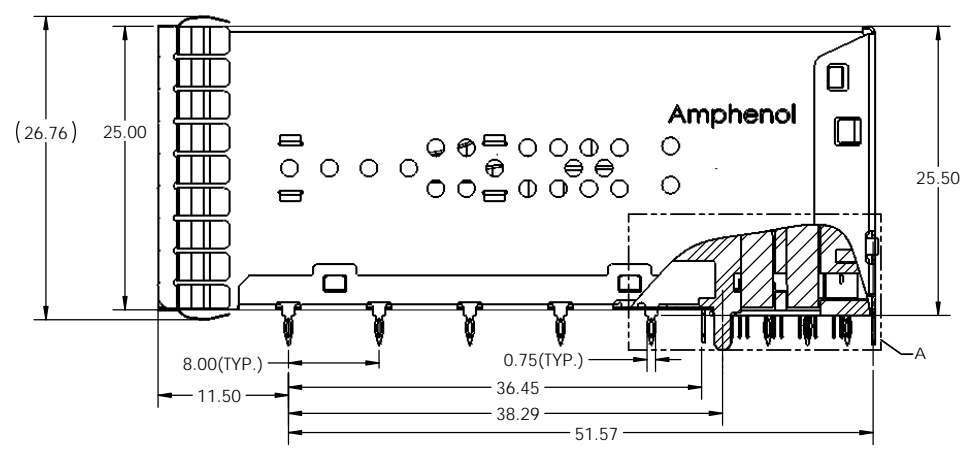
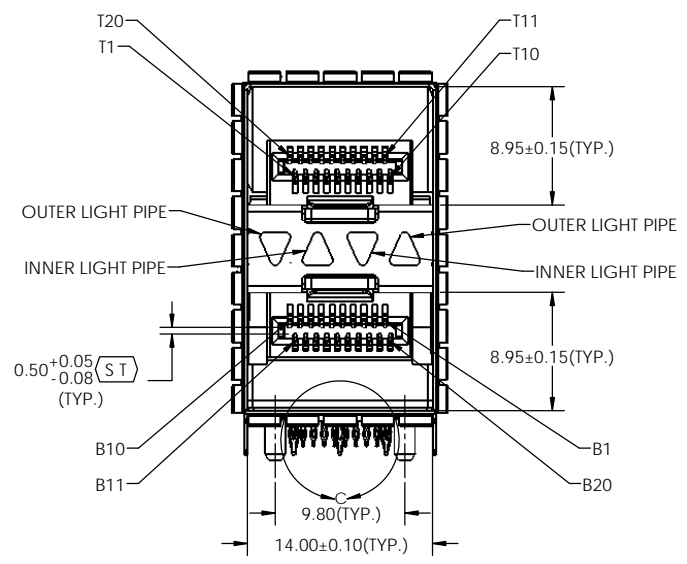
UNLESS SPECIFIED OTHERWISE	DRAWN	P. OU	FEB 06/14
DIMENSIONS ARE IN MILLIMETERS	CHECKED	J. SI	FEB 06/14
REFERENCE IN PARENTHESES	M.E. APP'D		
GENERAL TOLERANCES	Q.A. APP'D		
1 DECIMAL PLACE ±0.25	DWG APP'D	J. SI	FEB 06/14
2 DECIMAL PLACE ±0.15	MATERIAL AND FINISH	SEE NOTES	
3 DECIMAL PLACE N/A	REF.	ECN Exxxx	
ANGULAR DEGREES ±1°	THIRD ANGLE PROJECTION		
ENG. REL. NO.	DO NOT SCALE DRAWING		

Amphenol High Speed Interconnects
 A Division of Amphenol Corp. www.amphenolcanada.com

2X1 SFP ULTRAPORT WITH LIGHT PIPE OPTIONS AND EMI SPRING FINGER

DWG. NO.	P-UE86-3G1620-X0X61	REV	C
CODE ID NO.	03554	DWG SIZE:	C
SCALE:	2.5:1	SHEET	1 OF 4

REVISIONS				
REV.	ECN	DESCRIPTION	DATE	APPROVED
A		INITIAL RELEASE	FEB 07/14	J. SI
B		UPDATE PLATING OPTIONS	JUN 25/14	J. SI
C		UPDATE NOTES	AUG 15/14	J. SI



UNLESS SPECIFIED OTHERWISE	DRAWN	P. OU	FEB 06/14
DIMENSIONS ARE IN MILLIMETERS	CHECKED	J. SI	FEB 06/14
REFERENCE IN PARENTHESES	M.E. APP'D		
GENERAL TOLERANCES	Q.A. APP'D		
1 DECIMAL PLACE ±0.25	DWG APP'D	J. SI	FEB 06/14
2 DECIMAL PLACE ±0.15	MATERIAL AND FINISH	SEE NOTES	
3 DECIMAL PLACE N/A	REF.	ECN Exxxxx	
ANGULAR DEGREES ±1°	THIRD ANGLE PROJECTION	DO NOT SCALE DRAWING	
ENG. REL. NO.			

Amphenol High Speed Interconnects
 A Division of Amphenol Corp. www.amphenolcanada.com

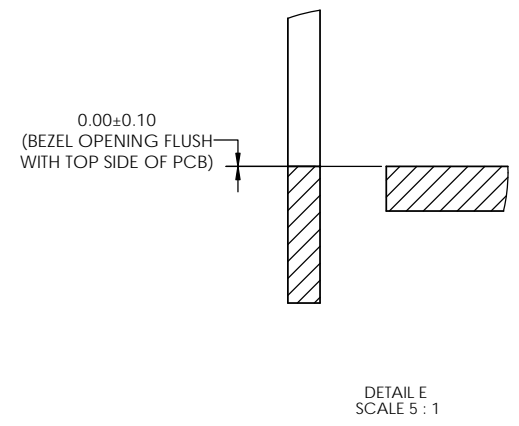
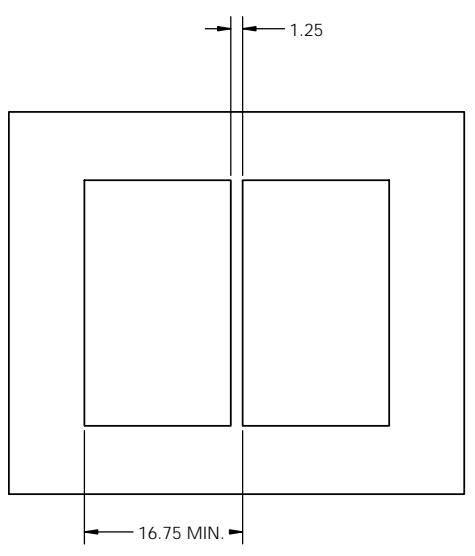
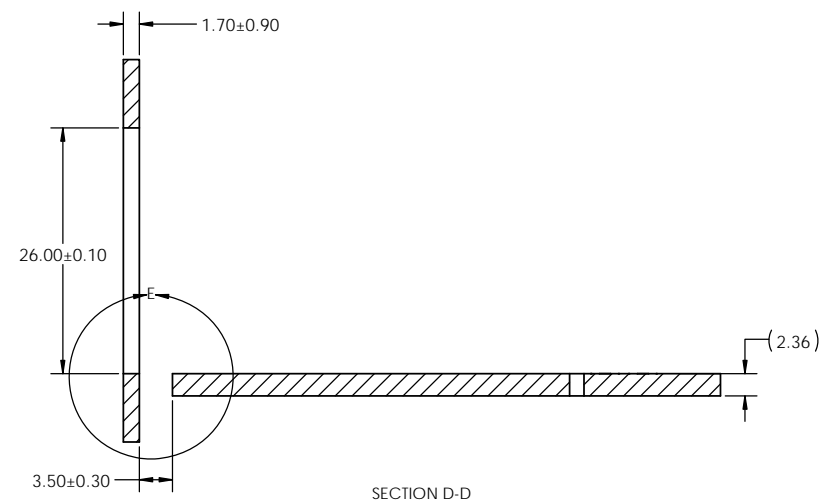
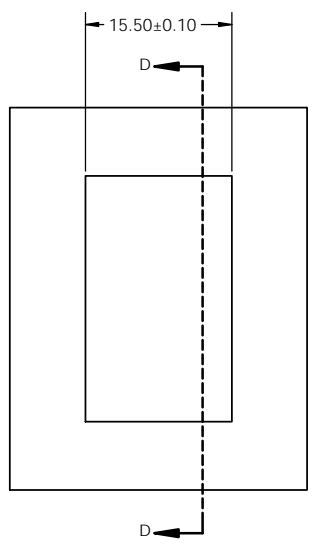
2X1 SFP ULTRAPORT WITH LIGHT PIPE
 OPTIONS AND EMI SPRING FINGER

DWG. NO. P-UE86-3G1620-X0X61 REV C

CODE ID NO. 03554 DWG SIZE: C SCALE: 3:1 SHEET 2 OF 4

THIS DOCUMENT CONTAINS PROPRIETARY INFORMATION AND SUCH INFORMATION MAY NOT BE DISCLOSED TO OTHERS FOR ANY PURPOSE OR USED FOR MANUFACTURING PURPOSES WITHOUT WRITTEN PERMISSION FROM AMPHENOL CANADA CORP.

REVISIONS				
REV.	ECN	DESCRIPTION	DATE	APPROVED
A		INITIAL RELEASE	FEB 07/14	J. SI
B		UPDATE PLATING OPTIONS	JUN 25/14	J. SI
C		UPDATE NOTES	AUG 15/14	J. SI



THIS DOCUMENT CONTAINS PROPRIETARY INFORMATION AND SUCH INFORMATION MAY NOT BE DISCLOSED TO OTHERS FOR ANY PURPOSE OR USED FOR MANUFACTURING PURPOSES WITHOUT WRITTEN PERMISSION FROM AMPHENOL CANADA CORP.

UNLESS SPECIFIED OTHERWISE	DRAWN	P. OU	FEB 06/14
DIMENSIONS ARE IN MILLIMETERS	CHECKED	J. SI	FEB 06/14
REFERENCE IN PARENTHESES	M.E. APP'D		
GENERAL TOLERANCES	Q.A. APP'D		
1 DECIMAL PLACE ±0.25	DWG APP'D	J. SI	FEB 06/14
2 DECIMAL PLACE ±0.15	MATERIAL AND FINISH	SEE NOTES	
3 DECIMAL PLACE N/A	REF.	ECN Exxxxx	
ANGULAR DEGREES ±1°	THIRD ANGLE PROJECTION	DO NOT SCALE DRAWING	
ENG. REL. NO.			

Amphenol High Speed Interconnects
A Division of Amphenol Corp. www.amphenolcanada.com

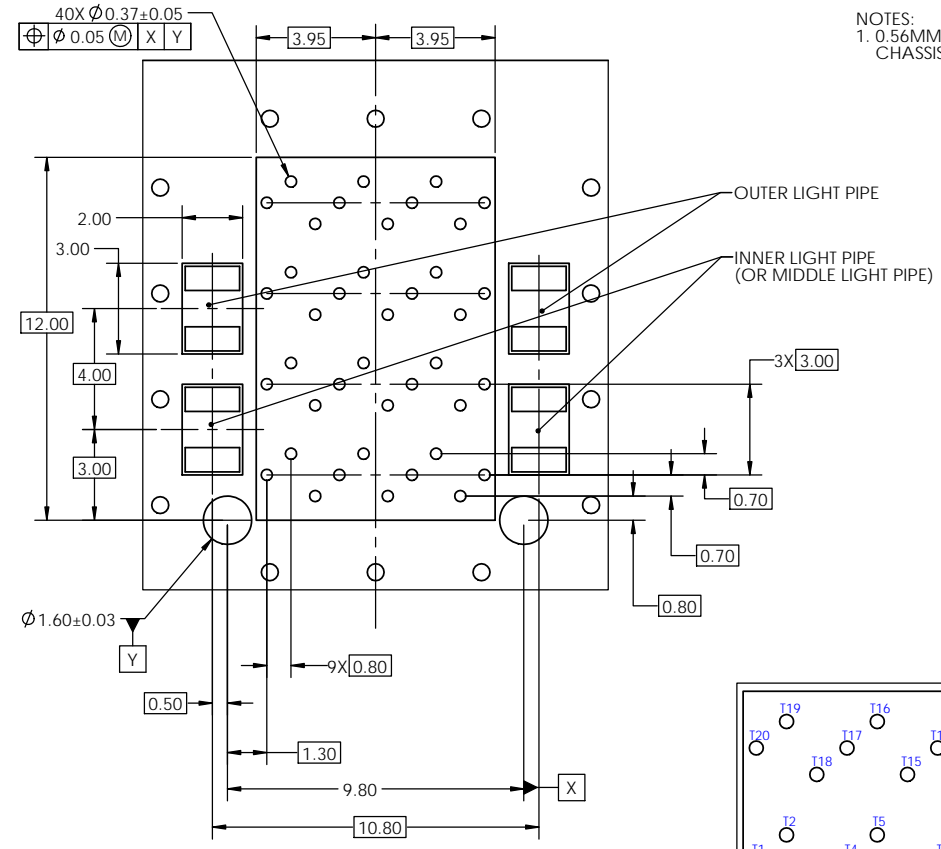
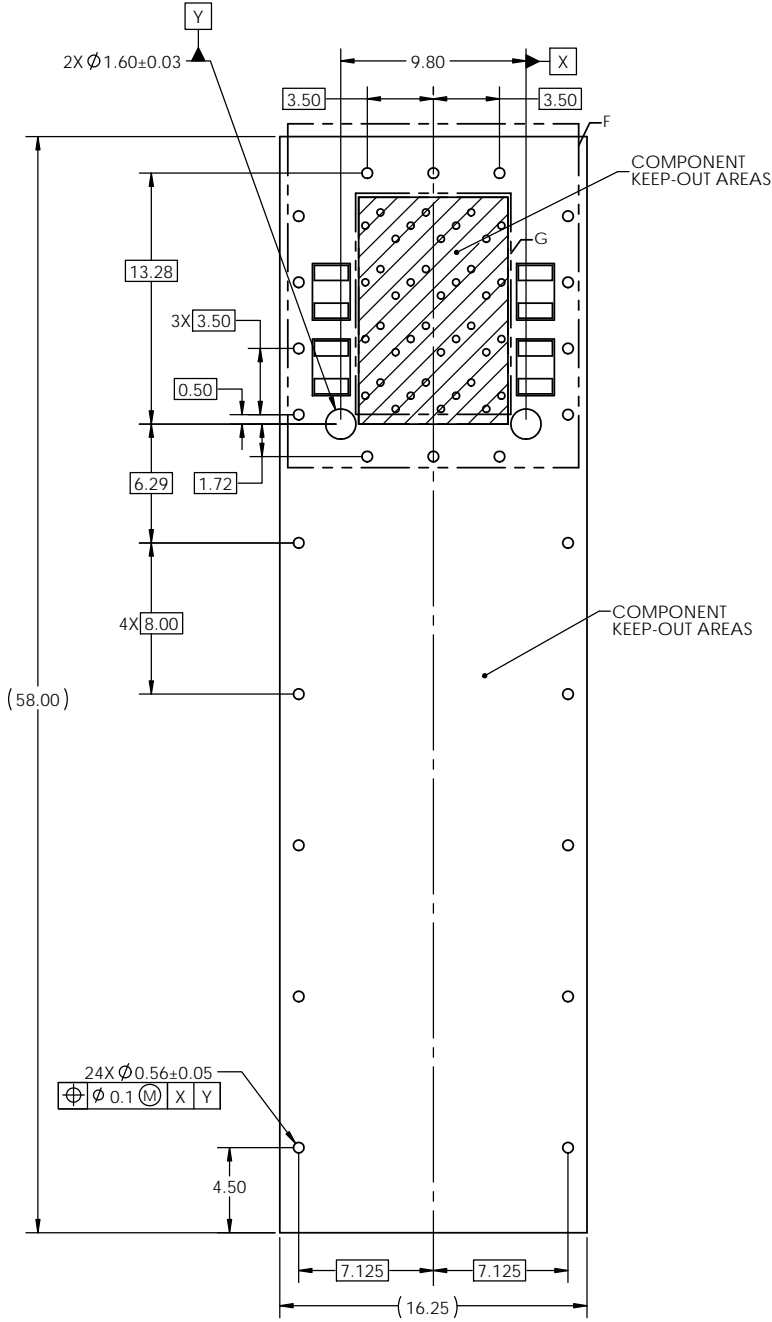
2X1 SFP ULTRAPORT WITH LIGHT PIPE
OPTIONS AND EMI SPRING FINGER

DWG. NO. P-UE86-3G1620-X0X61

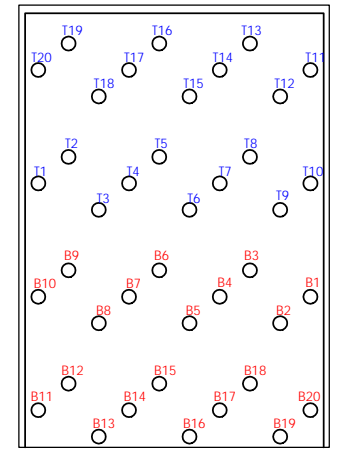
CODE ID NO. 03554 | DWG SIZE: C | SCALE: 2.5:1 | SHEET 3 OF 4

REV C

REVISIONS				
REV.	ECN	DESCRIPTION	DATE	APPROVED
A		INITIAL RELEASE	FEB 07/14	J. SI
B		UPDATE PLATING OPTIONS	JUN 25/14	J. SI
C		UPDATE NOTES	AUG 15/14	J. SI



NOTES:
1. 0.56MM DIAMETER HOLES ARE CHASSIS GROUND (24 HOLES)



2X1 PCB LAYOUT

UNLESS SPECIFIED OTHERWISE	DRAWN	P. OU	FEB 06/14
DIMENSIONS ARE IN MILLIMETERS	CHECKED	J. SI	FEB 06/14
REFERENCE IN PARENTHESES	M.E. APP'D		
GENERAL TOLERANCES	Q.A. APP'D		
1 DECIMAL PLACE ±0.25	DWG APP'D	J. SI	FEB 06/14
2 DECIMAL PLACE ±0.15	MATERIAL AND FINISH	SEE NOTES	
3 DECIMAL PLACE N/A	REF.	ECN Exxxxx	
ANGULAR DEGREES ±1*	THIRD ANGLE PROJECTION	DO NOT SCALE DRAWING	
ENG. REL. NO.			

Amphenol High Speed Interconnects
A Division of Amphenol Corp. www.amphenolcanada.com

2X1 SFP ULTRAPORT WITH LIGHT PIPE OPTIONS AND EMI SPRING FINGER

DWG. NO. P-UE86-3G1620-X0X61

CODE ID NO. 03554 | DWG SIZE: C | SCALE: 2.5:1 | SHEET 4 OF 4